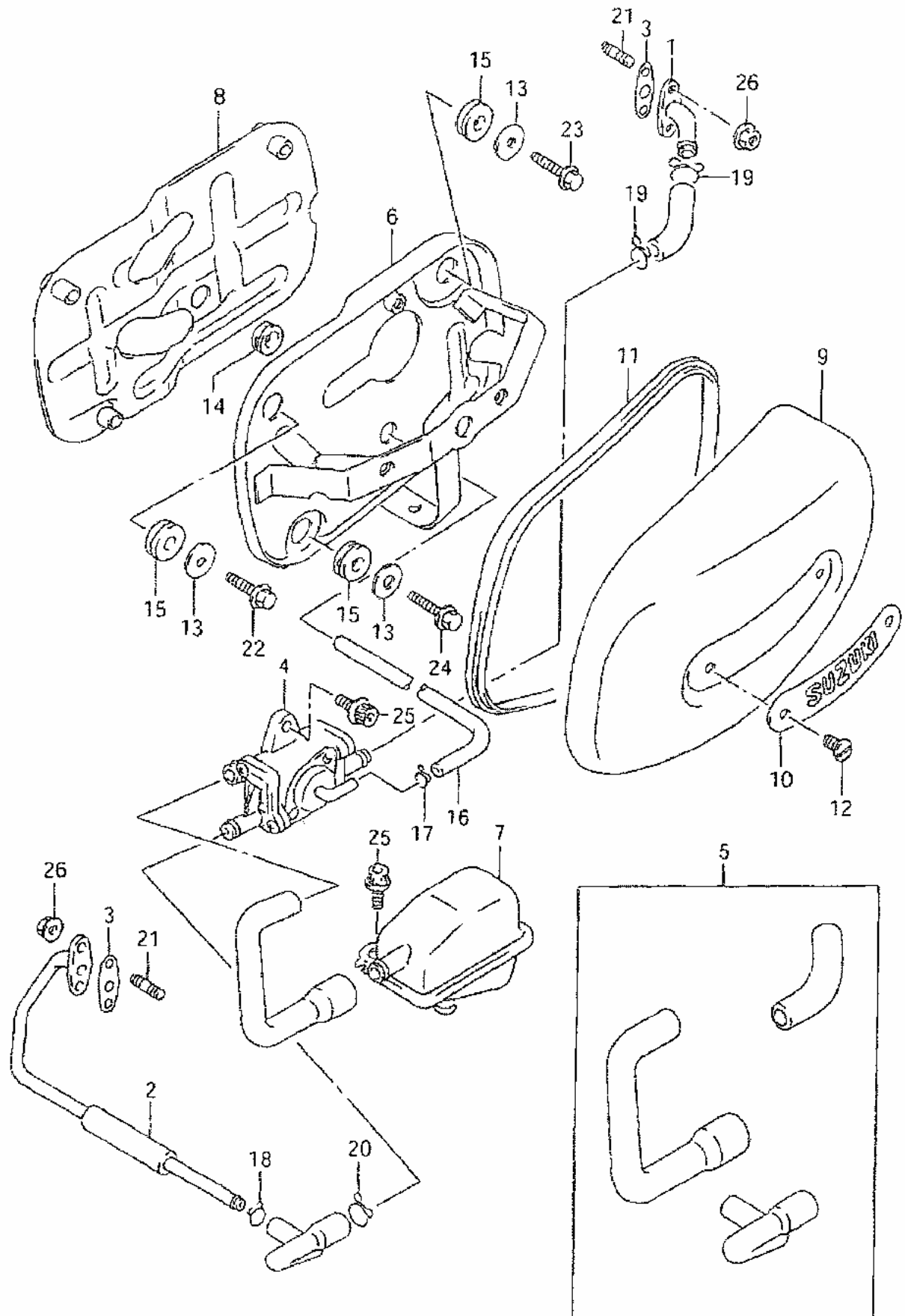


**SUZUKI VZ800
MARAUDER
1997-2003**

PARTS CATALOG

2ND AIR

- (1) 18410-48E00
PIPE COMP,2ND A
- (2) 18420-48E00
PIPE COMP,2ND A
- (3-1) 18441-45C00
Discontinued
- (3-2) 18441-45C01
GASKET,2ND AIR
- (4) 18450-48E00
VALVE ASSY,2ND
- (5) 18410-48810
HOSE SET,2ND AI
- (6) 18610-48E00
BRACKET COMP,2N
- (7) 18700-48E00
CLEANER COMP,2N
- (8) 18740-48E00
PLATE COMP,2ND
- (9) 18780-48E00
COVER ASSY,2ND
- (10) 18782-48E00
WASHER,2ND AIR
- (11) 18788-48E00
CUSHION,2ND AIR
- (12) 09139-06091
SCREW
- (13-1) 09160-06076
(CA) WASHER
- (13-2) 09160-06140
WASHER,6.5X24X1
- (14) 09320-08013
FRAME COVER CUS
- (15) 09320-10014
CUSHION PRE-MUF
- (16-1) 09359-40701-600
HOSE,4X7X600
- (16-2) 09359-40701-600
HOSE,4X7X600
- (17) 09401-06101
CLIP
- (18) 09401-11101
CLIP
- (19) 09401-15401
CLAMP
- (20) 09401-16401
CLIP
- (21) 01421-06163
BOLT, STUD
- (22) 01500-06307
BOLT
- (23) 01500-06403
BOLT
- (24) 01560-06353
BOLT
- (25) 07120-06163
BOLT,MAGNETO ST
- (26) 08316-10063
NUT



BATTERY

- (1-1) **33610-48E10**
Discontinued

- (1-2) **33610-48E20**
FTX12-BS BATTER

- (1-3) **33610-48E20**
FTX12-BS BATTER

- (2) **33651-37000**
BAT PROTECTOR N

- (3) **33651-37000**
BAT PROTECTOR N

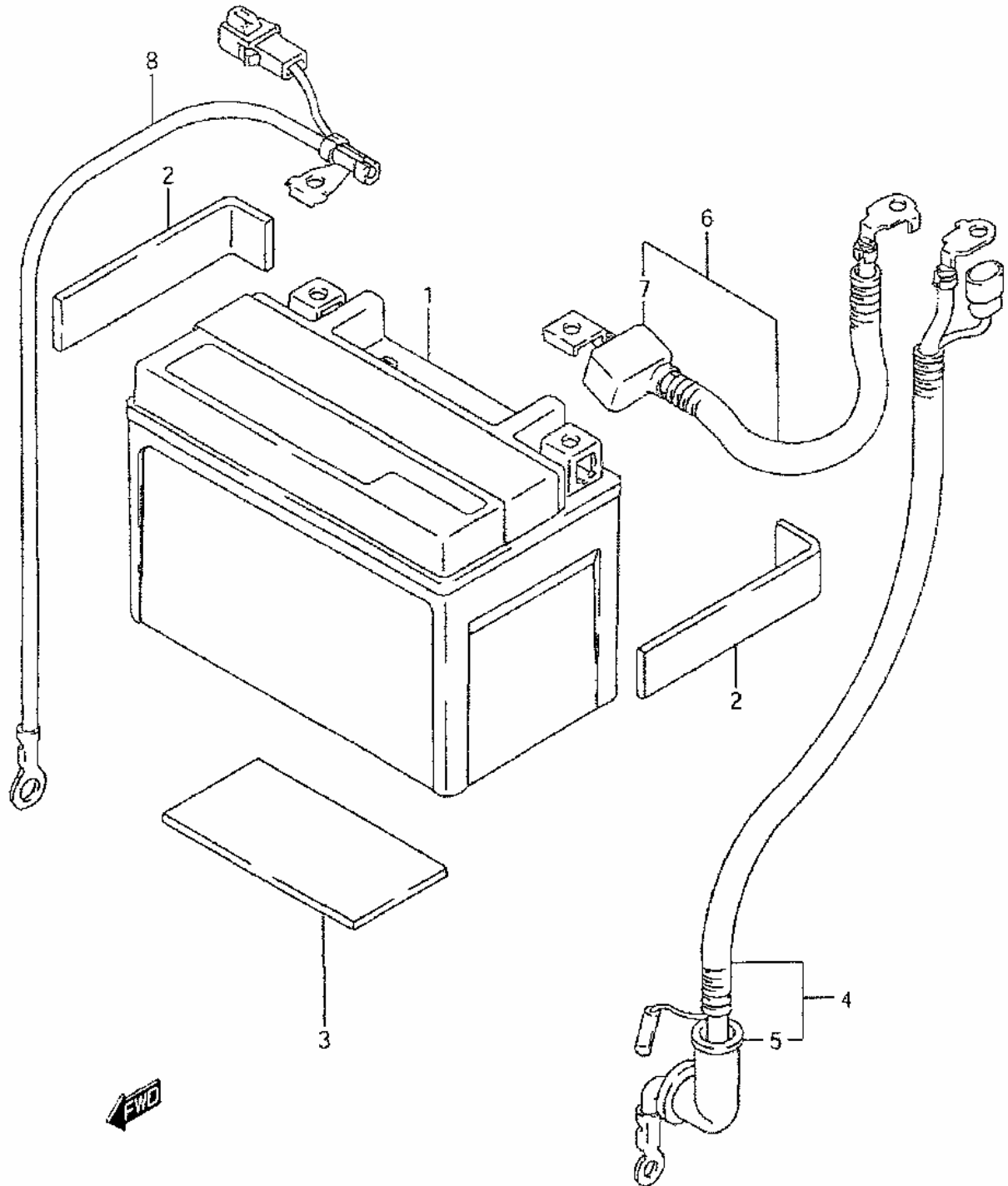
- (4) **33810-48E00**
WIRE,STARTER MO

- (5) **31861-48B10**
>> CAP, STRTR MOTO

- (6) **33820-48E00**
WIRE,BATTERY PL

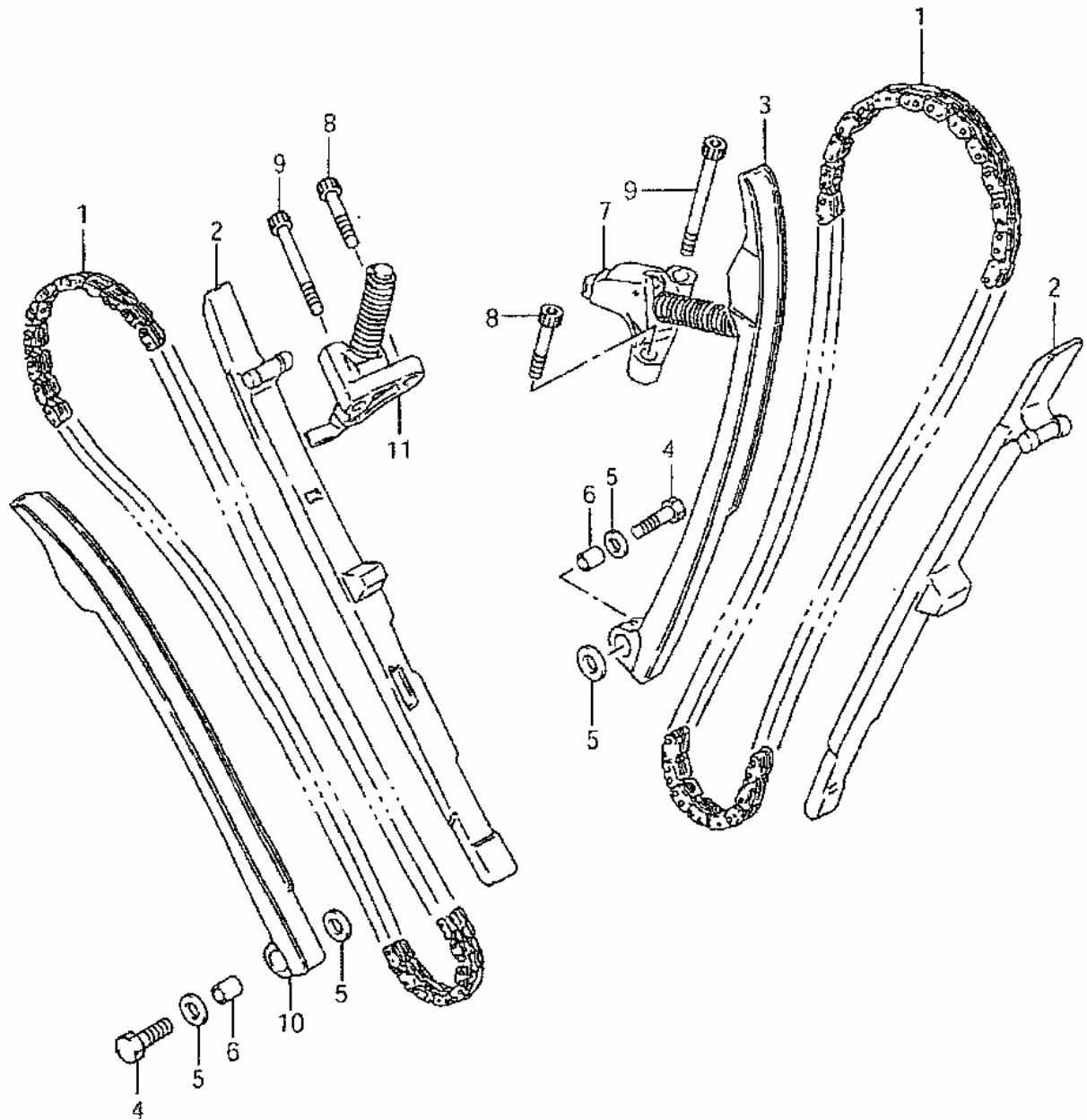
- (7) **33624-16E00**
>> CAP,BATTERY PLU

- (8) **33860-48E00**
WIRE,BATTERY MI



CAM CHAIN

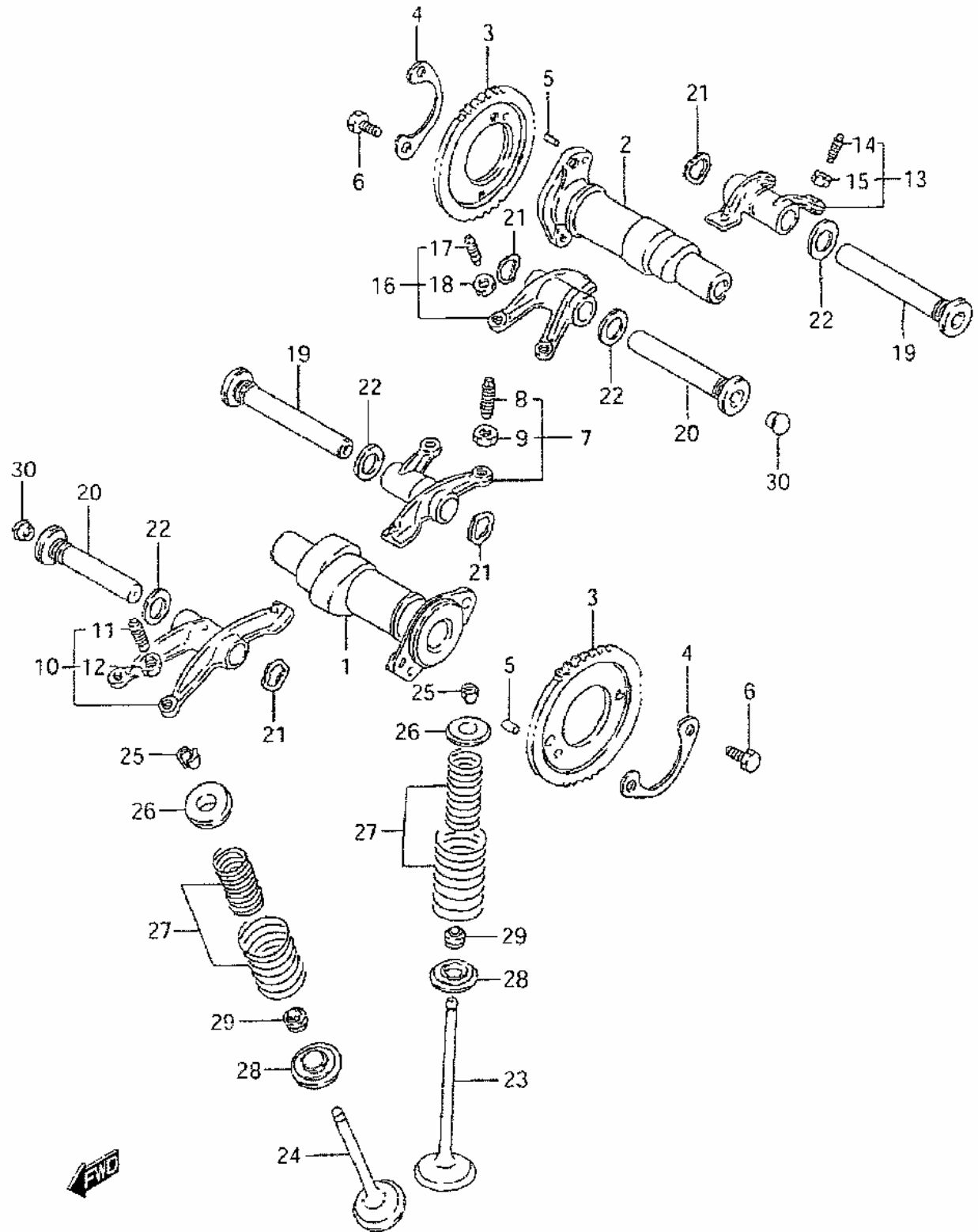
- (1) **12760-38A11**
CHAIN,CAM SHAFT
- (2) **12771-38A02**
GUIDE,CAM CHAIN
- (3) **12811-38A01**
TENSIONER,FR CA
- (4) **09100-06129**
BOLT 6 X 26
- (5) **08211-06182**
WASHER
- (6) **09180-06148**
SPACER 6 X 11 X
- (7) **12831-38A00**
ADJUSTER,FR TEN
- (8) **07130-06203**
BOLT
- (9) **07130-06453**
BOLT
- (10) **12816-38A01**
TENSIONER,RR CA
- (11) **12832-38A00**
ADJUSTER,RR TEN



FWD

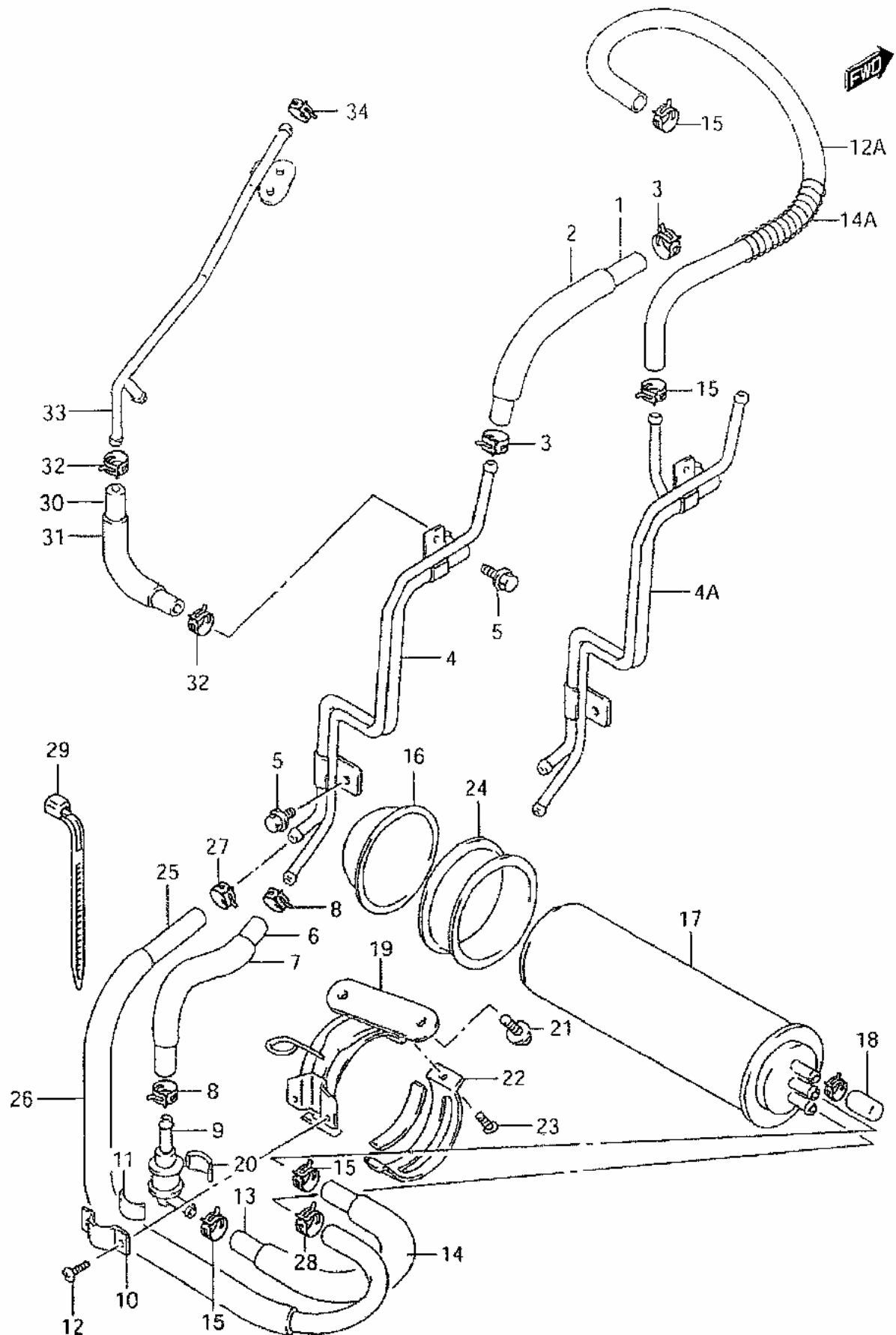
CAM SHAFT VALVE

- | | | |
|--------|--------------------|--------------------|
| (1) | 12711-38A03 | CAMSHAFT,FRONT |
| (2) | 12713-38A03 | CAMSHAFT,REAR |
| (3) | 12741-37400 | SPROCKET,CAMSHA |
| (4) | 12747-44000 | WASHER,SPROCKET |
| (5) | 04221-05109 | PIN |
| (6) | 09111-06027 | BOLT SPROCKET |
| (7) | 12840-38A10 | ARM COMP,IN VAL |
| (8) | 12842-38A00 | >> SCREW,TAPPET AD |
| (9) | 12843-32400 | >> TAPPET ADJUST N |
| (10) | 12850-38A10 | ARM COMP,EX VAL |
| (11) | 12842-38A00 | >> SCREW,TAPPET AD |
| (12) | 12843-32400 | >> TAPPET ADJUST N |
| (13) | 12845-38A10 | ARM COMP,IN VAL |
| (14) | 12842-38A00 | >> SCREW,TAPPET AD |
| (15) | 12843-32400 | >> TAPPET ADJUST N |
| (16) | 12855-38A10 | ARM COMP,EX VAL |
| (17) | 12842-38A00 | >> SCREW,TAPPET AD |
| (18) | 12843-32400 | >> TAPPET ADJUST N |
| (19) | 12861-38A01 | SHAFT,IN VLV RK |
| (20) | 12871-38A01 | SHAFT,EX VALVE |
| (21) | 09164-12018 | WASHER V LKP AR |
| (22) | 09168-14002 | Discontinued |
| (23-1) | 12911-38A02 | Discontinued |
| (23-2) | 12911-38A10 | VALVE,INTAKE |
| (24-1) | 12912-38A02 | Discontinued |
| (24-2) | 12912-38A10 | VALVE,EXHAUST |
| (25) | 12932-24400 | COTTER VALVE |
| (26) | 12931-33200 | RETAINER,VALVE |
| (27) | 12920-38A00 | SPRING SET,VALV |
| (28) | 12933-33201 | SEAT,VALV SPRIN |
| (29) | 09289-05015 | SEAL, OIL |
| (30) | 09250-06008 | CAP |



CANISTER E33

(1)	44434-48E10	HOSE,TANK / BRE
(2)	09440-13052	SPRING
(3)	09401-11413	CLIP (CA) ONLY
(4)	44950-48E00	PIPE COMP,TANK&
(4A)	44950-48E10	PIPE,TANK & BRE
(5)	01550-06123	BOLT
(6)	09355-54116-600	HOSE,L:600
(7)	09440-13052	SPRING
(8)	09401-11413	CLIP (CA) ONLY
(9)	44240-17C00	(CA) VALVE,FUEL
(10)	44892-24A00	PLATE,FUEL TANK
(11)	44894-24A00	>> CUSHION
(12)	02142-04083	SCREW 4X8
(12A)	09355-54116-00B	HOSE, 5.4X11.4
(13)	44433-48E00	HOSE,CSTR&BRTHR
(14)	09440-13052	SPRING
(14A)	09440-13044	SPRING
(15)	09401-11413	CLIP (CA) ONLY
(16)	17211-48E00	CAP,CANISTER
(17)	17210-26E00	CNISTR ASSY,CHA
(18)	09251-07003	CAP
(19)	44880-48E00	BRACKET SET,CAN
(20)	44894-24A00	>> CUSHION
(21)	01550-06123	BOLT
(22)	44882-26E00	HOLDER,CANISTER
(23)	02142-06103	SCREW 6X10
(24)	44883-26E00	CUSHION,CANISTE
(25)	44434-48E00	HOSE,CSTR&CARB
(26)	09440-13053	SPRING
(27)	09401-11407	CLIP
(28)	09401-11413	CLIP (CA) ONLY
(29-1)	09407-14403	Discontinued
(29-2)	09407-18402	CLAMP,WIRING HA
(30)	09355-54115-600	HOSE, 5.4X11.4X
(31)	09440-13052	SPRING
(32)	09401-11413	CLIP (CA) ONLY
(33)	44960-48E00	PIPE COMP,CSTR&
(34)	09401-08409	UNAVAILABLE



CATALOG PREFACE

* PREFACE *

When it becomes necessary to replace parts on SUZUKI MOTORCYCLES, always use SUZUKI GENUINE PARTS which have passed a strict inspection which guarantees quality and performance.

This parts catalogue covers the list of all service parts for SUZUKI UZ800U, UZ800W, UZ800X, UZ800Y, UZ800K1, UZ800K2, UZ800K3.

INSTRUCTIONS FOR QUOTING THE CATALOGUE

1. DIMENSIONS

Dimensions of the parts in this catalogue are indicated in unit millimeters.

2. ABBREVIATIONS

Abbreviations used in this catalogue are as follows:

AR	: As required	NT	: Number of teeth
ASSY	: Assembly	OPT	: Optional
E. No.	: Engine number	OS	: Over size
F. No.	: Frame number	STD	: Standard
d	: Diameter of material	T	: Thickness
ID	: Inside diameter	US	: Under size
OD	: Outside diameter	W	: Width
L	: Length	E28	: Canada specification
LH	: Left hand side	E3	: Federal specification
RH	: Right hand side	E33	: California specification
~100045	: Up to F.No.100045		
100046~	: From F.No.100046		

12 x 34 x 5.6 -----Figures in the description column

| | | show the dimensions of parts.

ID OD T(or W, L)

3. INNER PARTS OF ASSEMBLY

Part name with a dot (.) in front as shown in the description column indicates the component of the assembly also available individually.

4. MODIFICATION NOTICE

A parts bulletin will be sent to you on all occasions when changes in parts occur, including interchangeable modifications between new parts and old ones.

5. NOTE

5-1. There are some different parts from those of production models among spare parts for the administrative reasons and common use of them with other models.

5-2. In respect of rubber hoses and vinyl tubes, please be sure to use them by cutting off according to the length mentioned on parts catalogue or what is actually required on the vehicle.

5-3. Note that the drawings on the illustration page are for ready reference of spare parts number, not to be used as an assembly manual. When assembling, use "SUZUKI SERVICE MANUAL".

6. SERIAL FRAME NUMBER

UZ800U	:JS1VS53A U2100001~
UZ800W	:JS1VS53A W2100001~
UZ800X	:JS1VS53A X2100001~
UZ800Y	:JS1VS53A Y2100001~
UZ800K1	:JS1VS53A 12100001~
UZ800K2	:JS1VS53A 22100001~
UZ800K3	:JS1VS53A 32100001~

MILLIMETER - INCH CONVERSION CHART

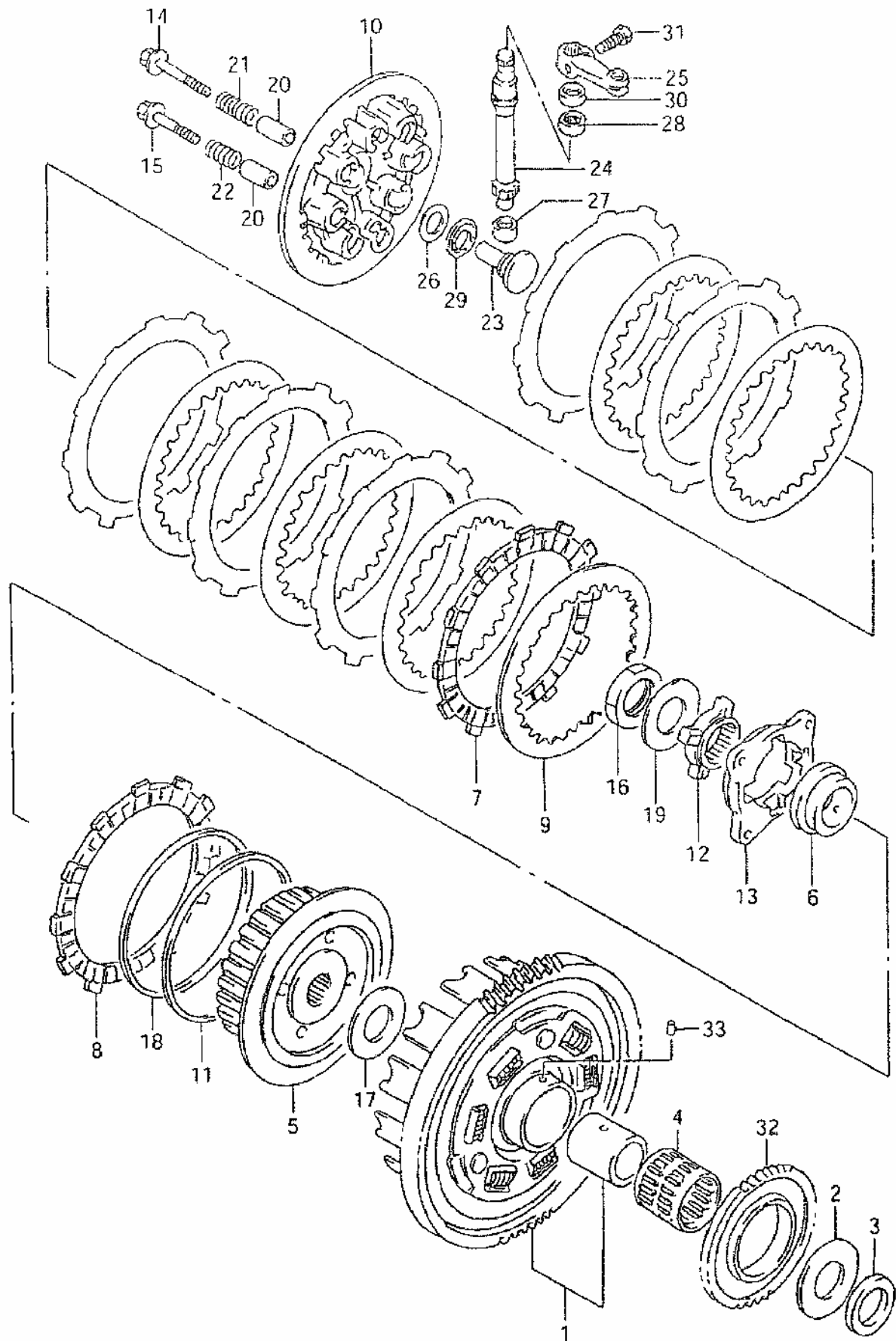
	0	1	2	3	4	5	6	7	8	9
00	.000	.039	.079	.118	.157	.197	.236	.276	.315	.354
10	.394	.433	.472	.512	.551	.591	.630	.669	.709	.748
20	.787	.827	.866	.906	.945	.984	1.024	1.063	1.102	1.142
30	1.181	1.220	1.260	1.299	1.339	1.378	1.417	1.457	1.496	1.535
40	1.575	1.614	1.654	1.693	1.732	1.772	1.811	1.850	1.890	1.929
50	1.969	2.008	2.047	2.087	2.126	2.165	2.205	2.214	2.283	2.323
60	2.362	2.402	2.441	2.480	2.520	2.559	2.598	2.638	2.677	2.717
70	2.756	2.795	2.835	2.874	2.913	2.953	2.992	3.031	3.071	3.110
80	3.150	3.189	3.228	3.268	3.307	3.346	3.386	3.425	3.465	3.504
90	3.543	3.583	3.622	3.661	3.701	3.740	3.780	3.819	3.858	3.898

	0	1	2	3	4
00	---	---	---	---	---
10	---	---	---	---	---
20	---	---	---	0.906	---
30	---	---	---	---	---

23 millimeters equal 0.906 inch.

CLUTCH

- (1) 21200-48840
GEAR ASSY,PRIMA
- (2-1) 09160-25067
WASHER
- (2-2) 09160-25037
WASHER
- (3) 09180-25077
SPACER 25X38X6.
- (4) 09263-35017
RN 35X40X36 BRG
- (5) 21410-45C03
HUB,CLUTCH SLEE
- (6) 21413-45C00
SPACER,CLUTCH S
- (7-1) 21441-37410
Discontinued
- (7-2) 21441-37430
PLATE,CLUTCH DR
- (8) 21442-37401
PLATE,CLUTCH DR
- (9) 21451-14A00
PLATE,CLUTCH DR
- (10) 21462-45C00
DISK,CLUTCH PRE
- (11) 21471-37400
SEAT,WAVE WASHE
- (12) 21611-45C02
CAM,CLUTCH NO.1
- (13) 21613-45C02
CAM,CLUTCH NO.2
- (14) 09116-06135
BOLT, 6X40
- (15) 09116-06148
BOLT,CLUTCH SPR
- (16) 09140-22011
NUT
- (17) 09160-25065
WASHER 25X60X2.
- (18) 09164-00004
WAVE WASHER CL
- (19) 09164-22008
WASHER WAVE 22X
- (20) 09180-06276
SPACER,6.5X9X24
- (21) 09440-14038
SPRING,CLUTCH,N
- (22) 09440-14039
SPRING,CLUTCH,N
- (23) 23165-21A12
RACK,CLUTCH REL
- (24) 23261-32E10
PINION,CLUTCH R
- (25-1) 23271-44B00
Discontinued
- (25-2) 23271-31D00
ARM,CLUTCH RELE
- (26) 09160-15045
WASHER
- (27) 09263-09001
RN 9X13X10 BRG8
- (28) 09263-12024
RN 12X16X10 BRG
- (29) 09263-15003
RC 15X28X2 BRG
- (30) 09285-10004
OIL SEAL
- (31-1) 01500-06163
BOLT
- (31-2) 01547-06167
BOLT 6X16
- (32) 16321-48E00
GEAR,OIL PUMP D
- (33) 09261-06002
OIL PUMP DRIV G



COLOR TABLE

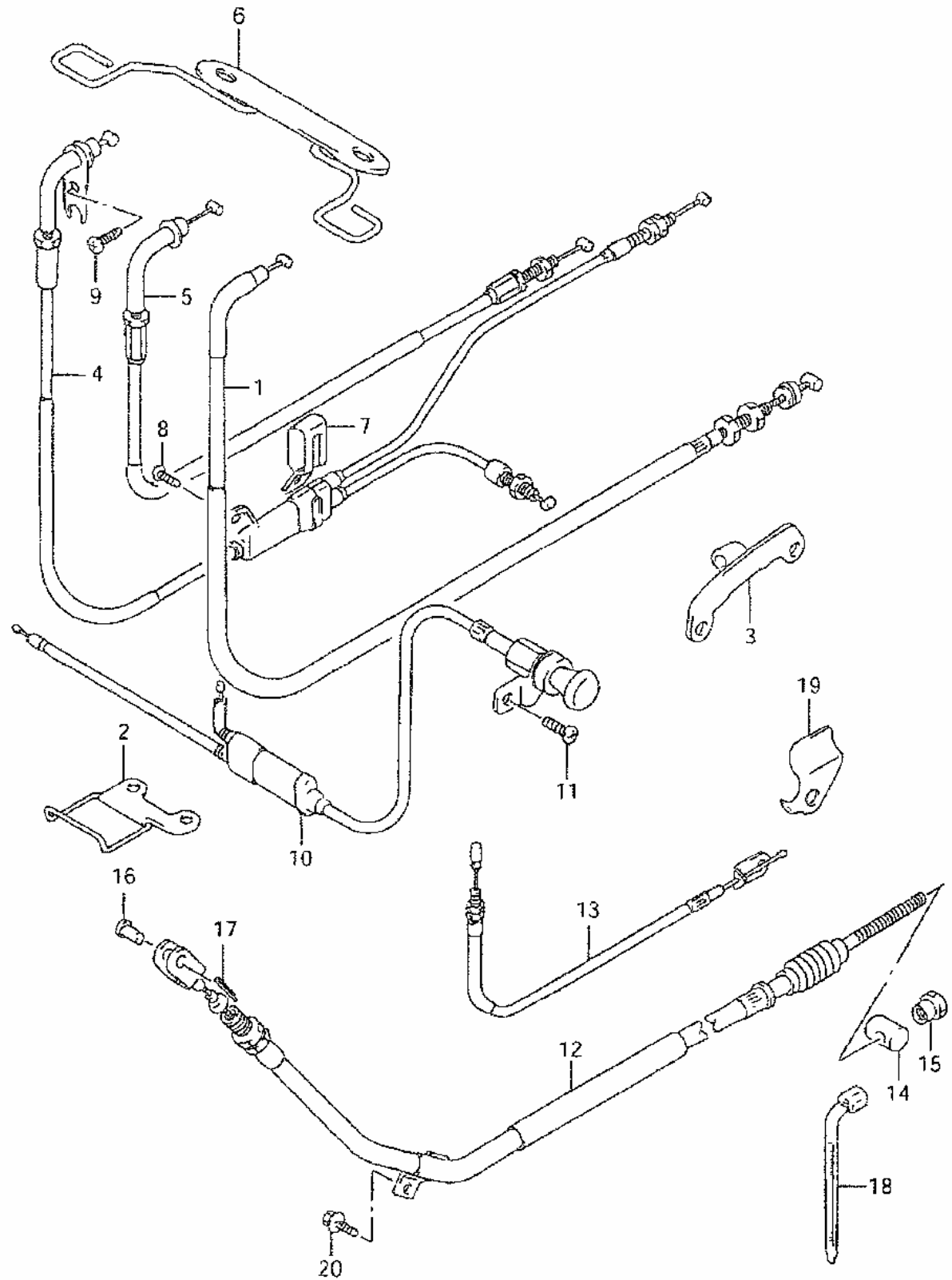
COLOR CODE CHART

<u>CODE</u>	<u>COLOR</u>	<u>CODE</u>	<u>COLOR</u>
BP8	YC2,Y7L	YC2	CANDY GRAND BLUE
BT8	17U,14B,Y7L,19A	YD8	SONIC SILVER METALLIC
BT9	24G,Y2D,Y7L,YC2	YE2	DEEP RHODE MAROON METALLIC
BU2	17U,19A,Y7L	YM2	PEARL FROSTY WHITE
BU3	24G,YC2,Y7L	YW5	PRL. WHITE HAIR LINE CHROME
CN5	1LF,YD8	Y0W	CANDY KORAN ORANGE
CY9	33J,YD8	Y2D	FLASU SILVER METALLIC
DZ8	YC2,19A,0MT	Y4M	CANDY DEEP GRAPE MAROON
DZ9	YE2,19A,0MT	Y7H	DARK SPACE BLUE
E9N	019,Y98	Y7L	SATURN BLACK METALLIC
G7U	33J,Y0W	Y9H	PEARL LIVELY YELLOW
G9Y	0FP,Y0W	Y98	CANDY FOREST GREEN
G9Z	Y98,064	0FP	TRADITIONAL SILVER METALLIC
HM2	0JW,019,YW5,1LF	0JW	PEARL STILL WHITE
HM3	Y9H,33J,YW5	0MT	SILVER
H0A	Y0W,064	019	BLACK
H0G	1KK,Y98,019	064	PURE WHITE
H0H	019,Y0W,0FP	1KK	LEGATE GOLD
H1N	T15,P21	1LF	PRL DEEP BLUE
J3J	0MT,19A,33J	10R	MILKY WHITE
J4M	10R,19A	12R	TIGHT SILVER METALLIC
J6F	28C,10R,19A	14B	FANTASTIC COPPER GOLD METALLIC
J8K	Y4M,10R	17U	GRAY METALLIC
J9G	1KK,Y4M,10R	19A	CANDY ANTARES RED
KW8	YM2,33J,YW5	2AX	PEARL NOVELTY BLACK (33J)
KW9	Y7H,YW5,33J,YD8	20G	CHARCOAL GRAY METALLIC
M1Z	17U,Y0W,33J	24G	LEGATO GOLD METALLIC
M9U	19A,Y7L	28C	DUNE GRAY METALLIC
M9Z	P21,T84	3CG	33J,17U
P21	BLACK (LEATHER)	33J	PEARL NOVELTY BLACK
T15	BLACK (LEATHER)	48H	BLACK
T84	GROSS BLACK (LERTHER)		

**** NOTE: FOR PAINT INQUIRIES PLEASE CALL COLOR-RITE AT (800) 736-7980**

CONTROL CABLE

- (1) **58200-48E00**
CABLE ASSY,CLUT
- (2) **58620-48E10**
GUIDE COMP,CLUT
- (3) **58634-48E00**
STOPPER,CLUTCH
- (4) **58300-48E20**
CABLE ASSY,THRO
- (5) **58300-48E30**
CABLE ASSY,THRO
- (6) **58620-48E00**
GUIDE COMP,CABL
- (7) **58623-48E00**
CLAMP,THRITTLE
- (8) **02142-05087**
SCREW 5X8 CROSS
- (9) **02112-75123**
BOLT
- (10) **58400-48E00**
CABLE ASSY,STAR
- (11) **09139-06051**
SCREW,L:10
- (12) **58510-48E00**
CABLE COMP,REAR
- (13) **58830-48E00**
CABLE COMP,STOP
- (14) **09209-13018**
PIN
- (15) **09150-06014**
NUT
- (16) **09200-05001**
RR BRK CONNECTO
- (17) **04111-20158**
20 X 15 COTTER
- (18) **09407-14403**
Discontinued
- (19) **58720-48E00**
CLAMP,REAR BRAK
- (20) **01550-06123**
BOLT



COWLING V W

(1-1) **94400-48820-Y98**

Discontinued

(1-2) **94400-48820-Y0W**

Discontinued

(1-3) **94400-48821-Y4M**

DISCONTINUED

(1-4) **94400-48821-10R**

DISCONTINUED

(2-1) **68612-48B00**

>> Discontinued

(2-2) **68612-48B10**

>> Discontinued

(2-3) **68612-48B20**

>> Discontinued

(3-1) **94490-48820-Y98**

Discontinued

(3-2) **94490-48820-Y0W**

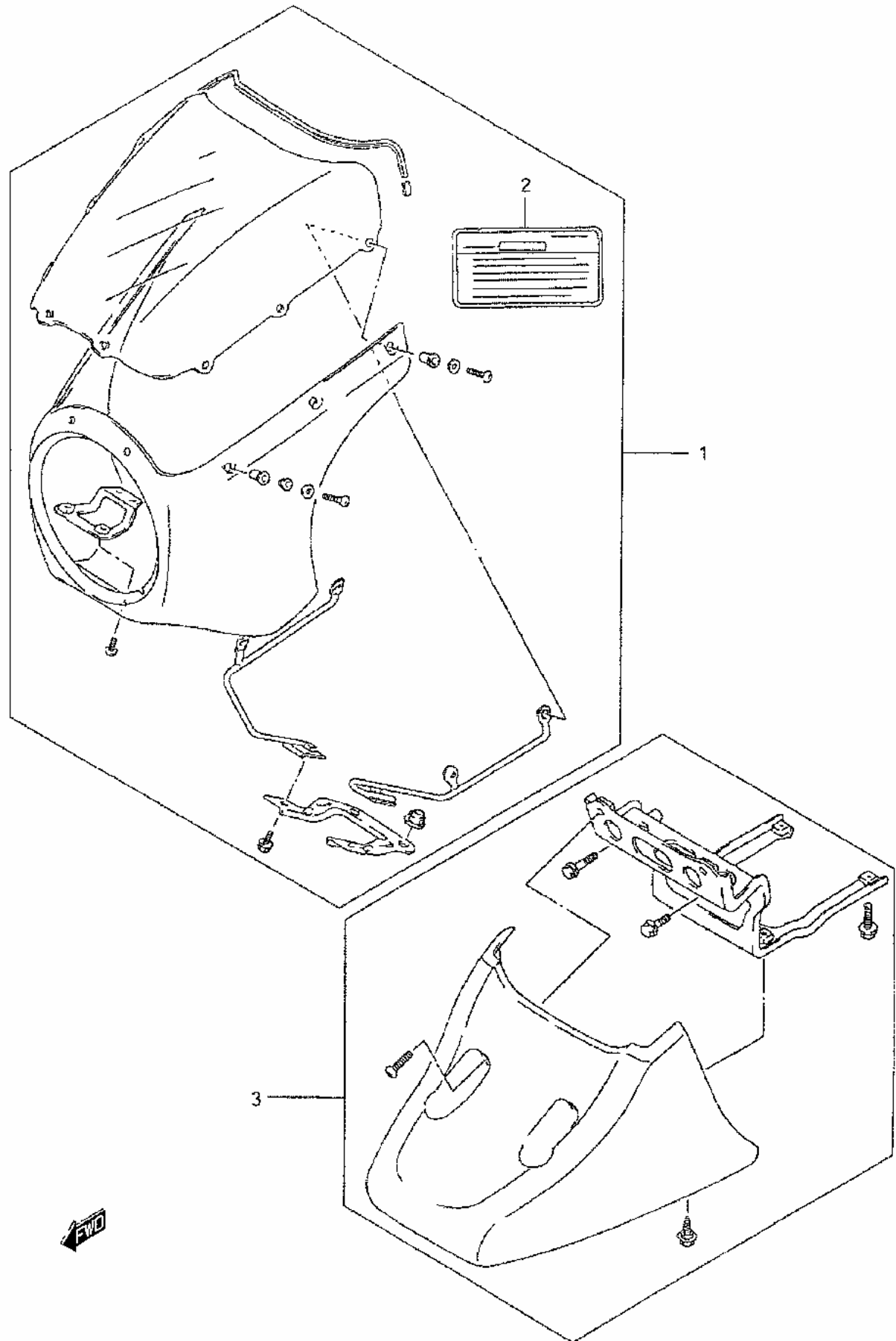
Discontinued

(3-3) **94490-48821-Y4M**

Discontinued

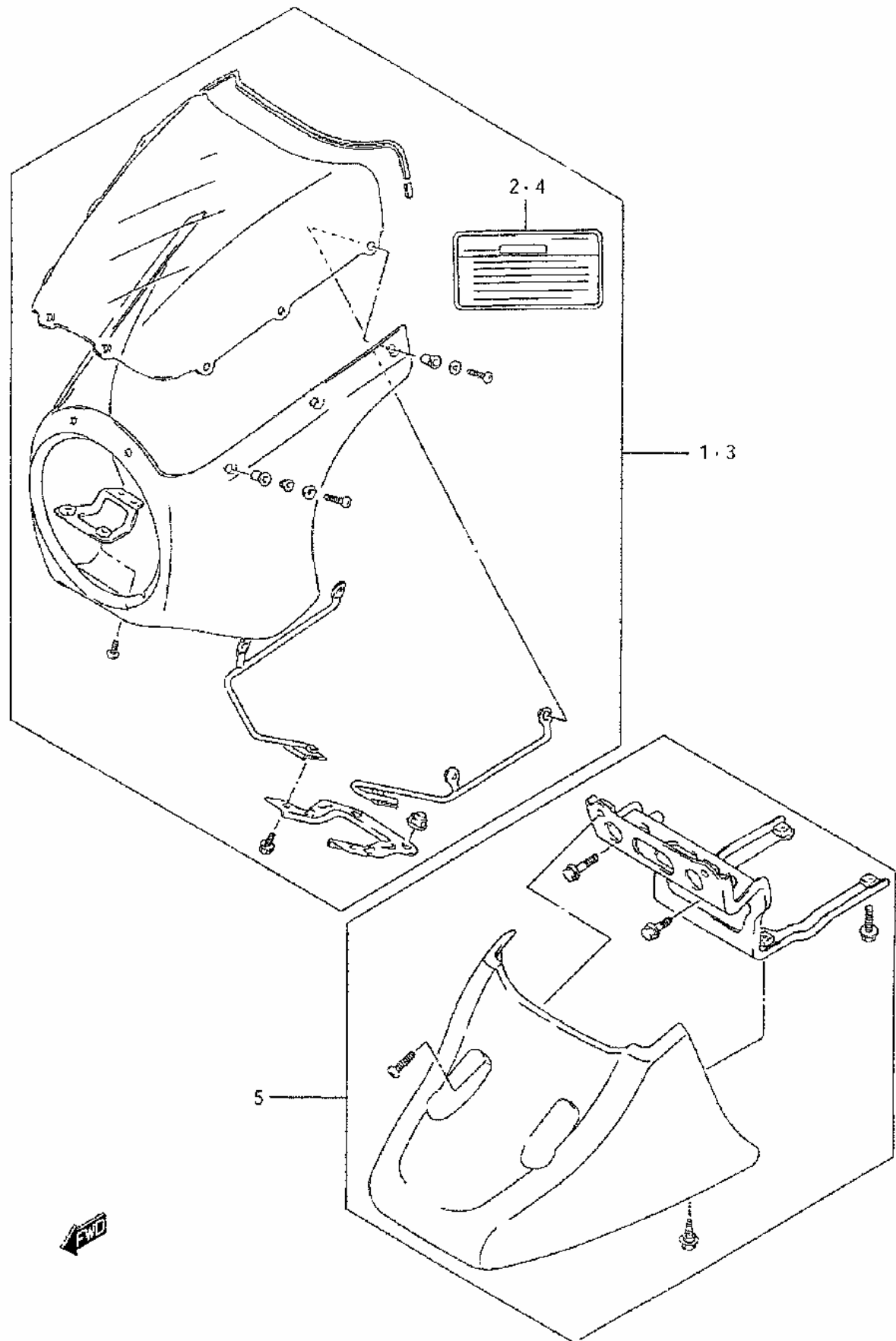
(3-4) **94490-48821-10R**

DISCONTINUED



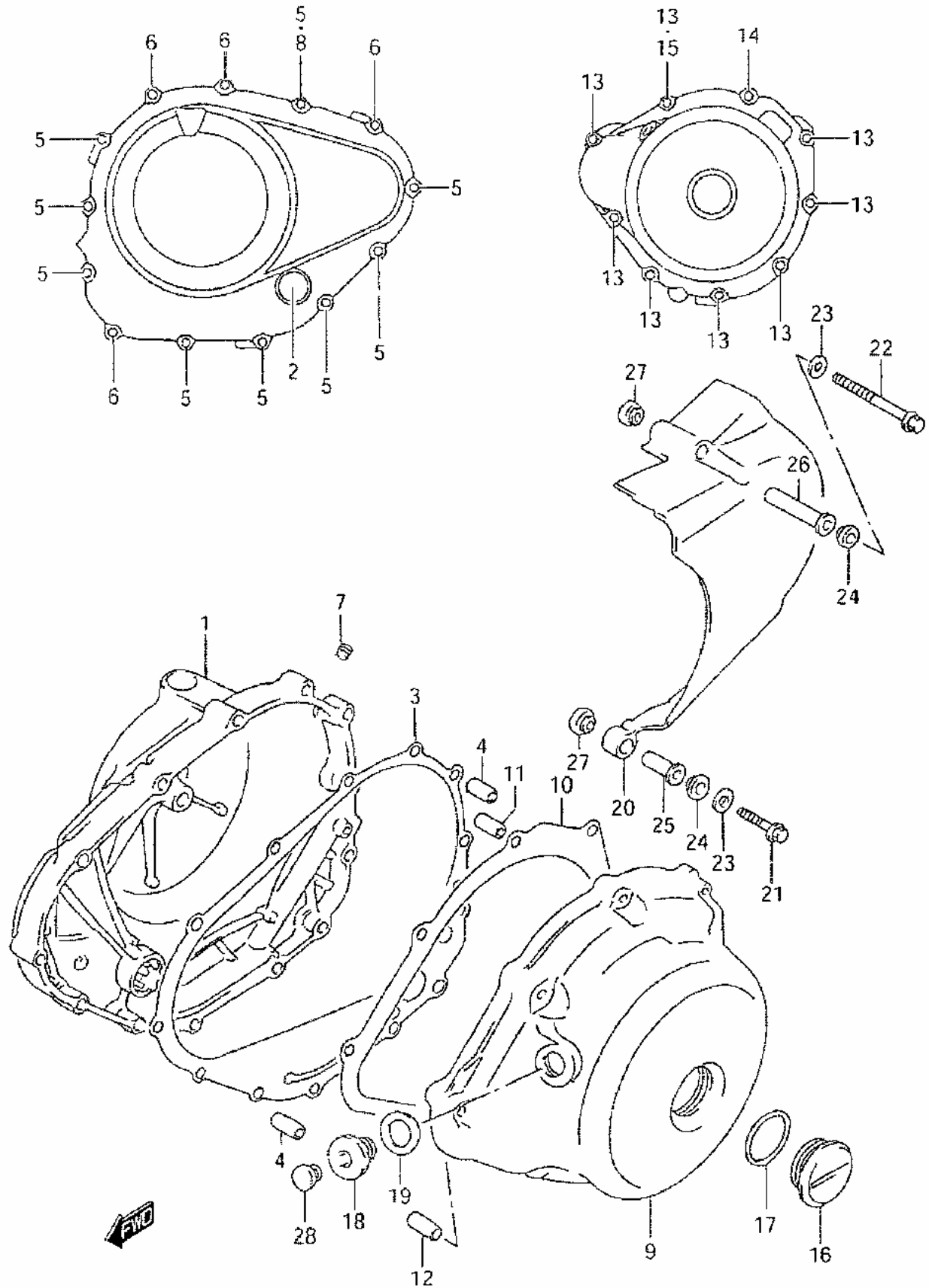
COWLING X Y

- | | | |
|-------|------------------------|--------------------|
| (1-1) | 94400-48822-019 | Discontinued |
| (1-2) | 94400-48822-Y0W | Discontinued |
| (2-1) | 68612-48B00 | >> Discontinued |
| (2-2) | 68612-48B10 | >> Discontinued |
| (2-3) | 68612-48B20 | >> Discontinued |
| (3-1) | 94400-48823-33J | FAIRING,BLK 00- |
| (3-2) | 94400-48823-YC2 | DISCONTINUED |
| (3-3) | 94400-48823-19A | UNAVAILABLE |
| (4-1) | 68922-14F00 | >> LABEL,WARNING,S |
| (4-2) | 68922-14F30 | >> LABEL,WARNING S |
| (4-3) | 68922-14F20 | >> LABEL,WARNING S |
| (5-1) | 94490-48840-019 | Discontinued |
| (5-2) | 94490-48840-Y0W | Discontinued |
| (5-3) | 94490-48840-33J | SPOILER,BLK 00- |
| (5-4) | 94490-48840-YC2 | SPOILER,BLUE 00 |
| (5-5) | 94490-48840-19A | UNAVAILABLE |



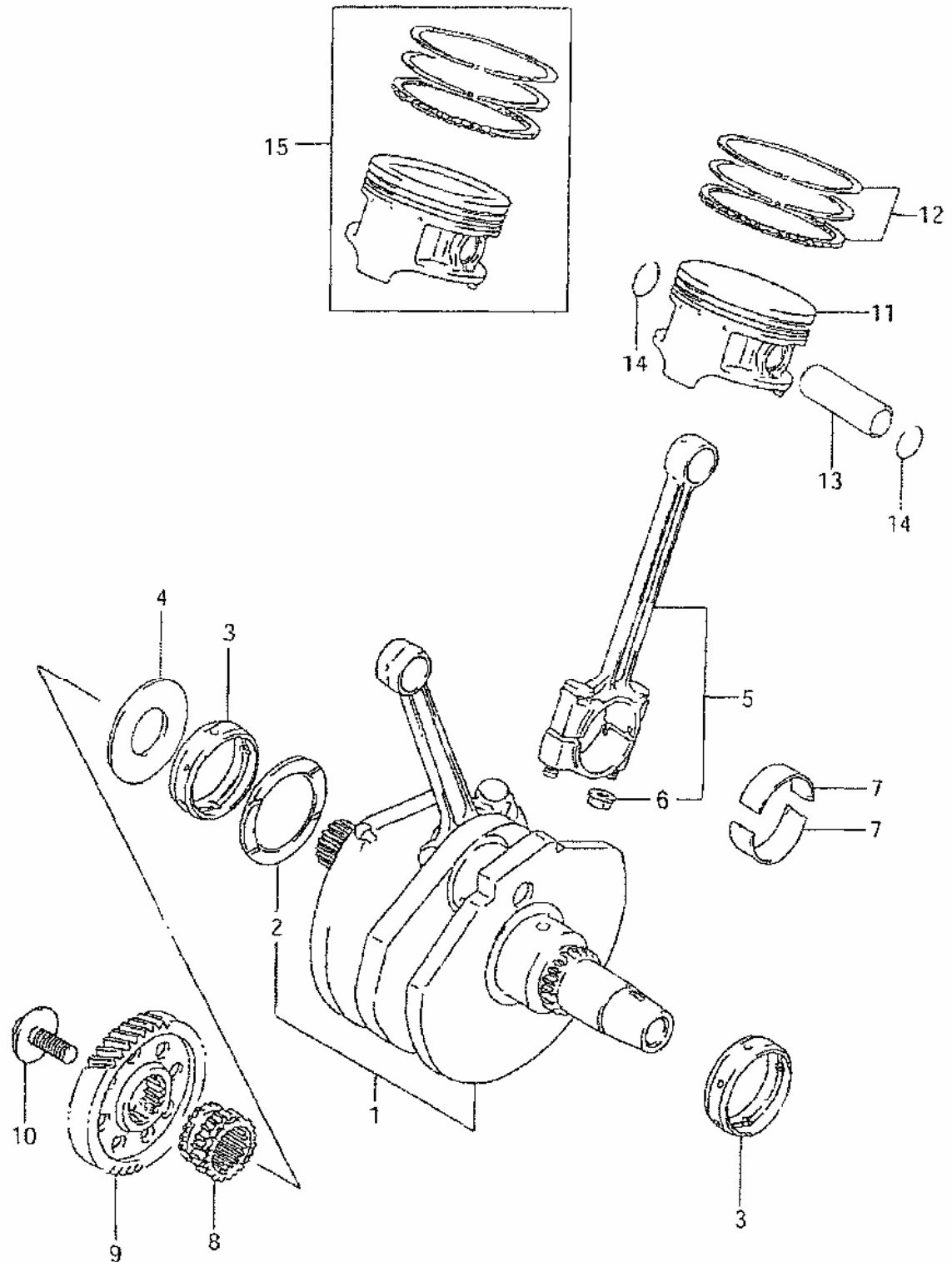
CRANKCASE COVER

- (1-1) **11340-48E00**
COVER COMP,CLUT
- (1-2) **11340-48E50**
COVER COMP,CLUT
- (2) **11971-33210**
>> LENS,OIL LEVEL
- (3) **11482-48E01**
GASKET,CLUTCH C
- (4) **04211-09149**
PIN 9X14
- (5) **01547-06307**
BOLT 6X30
- (6) **01547-06357**
BOLT 6X35
- (7) **09246-05006**
PLUG
- (8-1) **09168-06024**
GASKET
- (8-2) **09168-06023**
GASKET
- (9) **11351-48E00**
COVER,MAGNETO
- (10) **11483-48E01**
GASKET,CLUTCH C
- (11) **09206-11017**
PIN 11X20
- (12) **04211-09149**
PIN 9X14
- (13) **01547-06357**
BOLT 6X35
- (14) **01547-06407**
BOLT 6X40
- (15-1) **09168-06024**
GASKET
- (15-2) **09168-06023**
GASKET
- (16) **09259-36008**
PLUG
- (17) **09280-33004**
O RING CRANKSHA
- (18) **09248-14005**
PLUG
- (19) **09168-14002**
Discontinued
- (20) **11361-48E01**
COVER,ENG SPROC
- (21) **01547-06307**
BOLT 6X30
- (22) **01547-06607**
BOLT 6X60
- (23-1) **09160-06097**
Discontinued
- (23-2) **09160-06125**
WASHER,6.5X14X1
- (24) **09161-09006**
CUSHION
- (25) **09180-06320**
SPACER ENG SPRO
- (26) **09180-06321**
SPACER ENG SPRO
- (27) **09161-09005**
WASHER
- (28) **09250-08014**
CAP



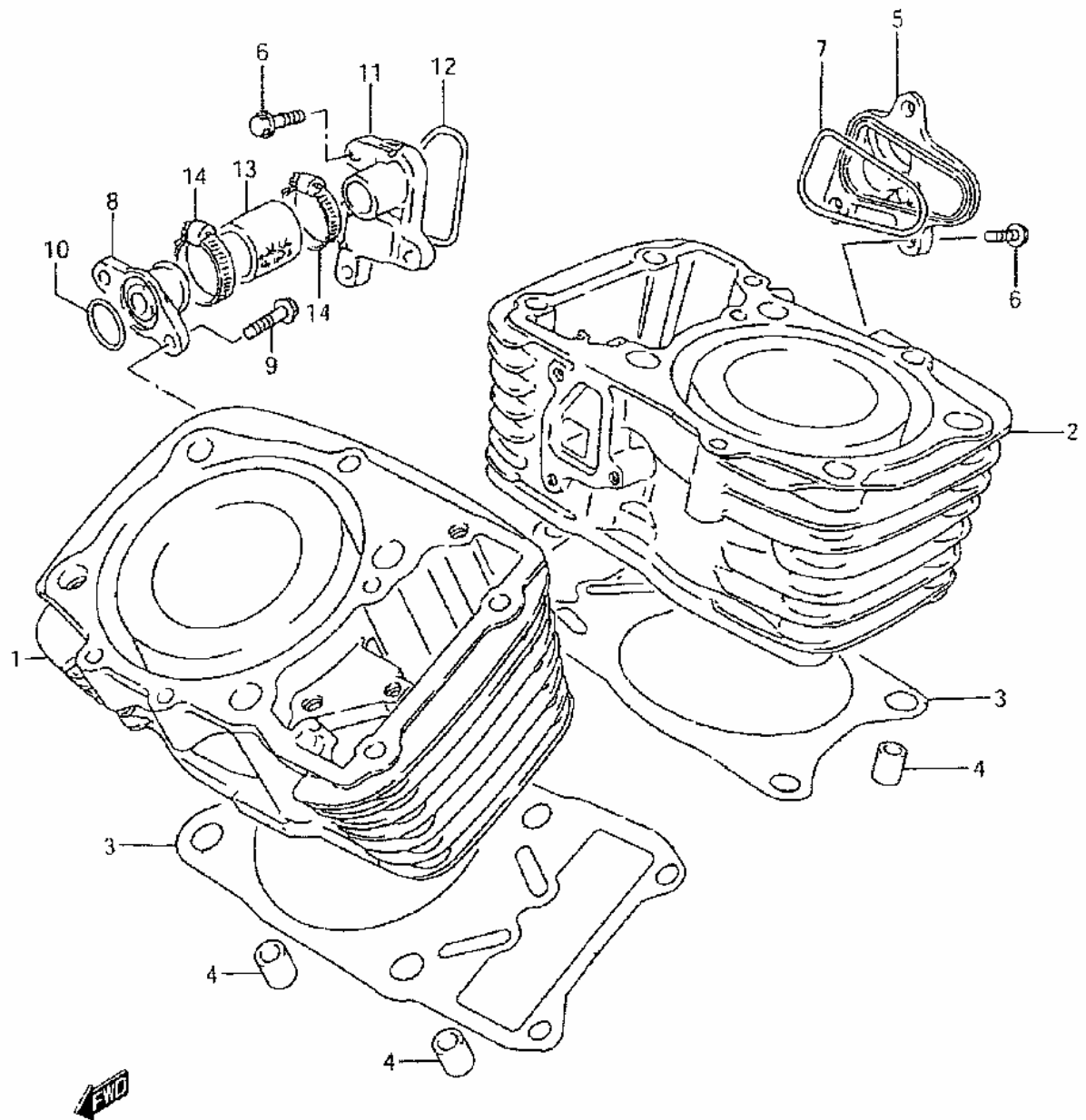
CRANKSHAFT

- (1) **12000-38810**
CRANKSHAFT SET
- (2-1) **09160-48001**
>> WASHER 48 X 64X
- (2-2) **09160-48002**
>> WASHER 48X 64X
- (2-3) **09160-48003**
>> WASHER 48X 64X
- (2-4) **09160-48004**
>> WASHER 48X 64X
- (2-5) **09160-48005**
>> WASHER 48X 64X
- (2-6) **09160-48006**
>> WASHER 48X 64X
- (2-7) **09160-48007**
>> WASHER 48X 64X
- (2-8) **09160-48008**
>> WASHER 48X 64X
- (2-9) **09160-48009**
>> WASHER 48X 64X
- (2-10) **09160-48010**
>> WASHER 48X 64X
- (3) **12229-38A00**
PLATE,CRANKSHAF
- (4) **12652-38A00**
WASHER,CRANK TH
- (5) **12160-45C10**
ROD ASSY,CONNEC
- (6) **09159-09001**
>> NUT CON ROD
- (7-1) **12164-38E00-0A0**
BEARING,CRANK P
- (7-2) **12164-38E00-0B0**
BEARING,CRANK P
- (7-3) **12164-38E00-0C0**
BEARING,CRANK P
- (7-4) **12164-38E00-0D0**
BEARING,CRANK P
- (7-5) **12164-38E00-0E0**
BEARING,CRANK P
- (8) **12731-38A00**
SPROCKET,CAM CH
- (9) **21111-48E50**
GEAR,PRIMARY DR
- (10) **09103-12013**
BOLT 12X28
- (11) **12111-45C00-0F0**
PISTON,STD
- (12) **12140-45C10**
RING SET,PISTON
- (13) **12151-24A00**
PIN,PISTON
- (14) **09381-20004**
CIRCLIP PISTON
- (15) **12100-45C00-050**
PISTON SET,OS0.



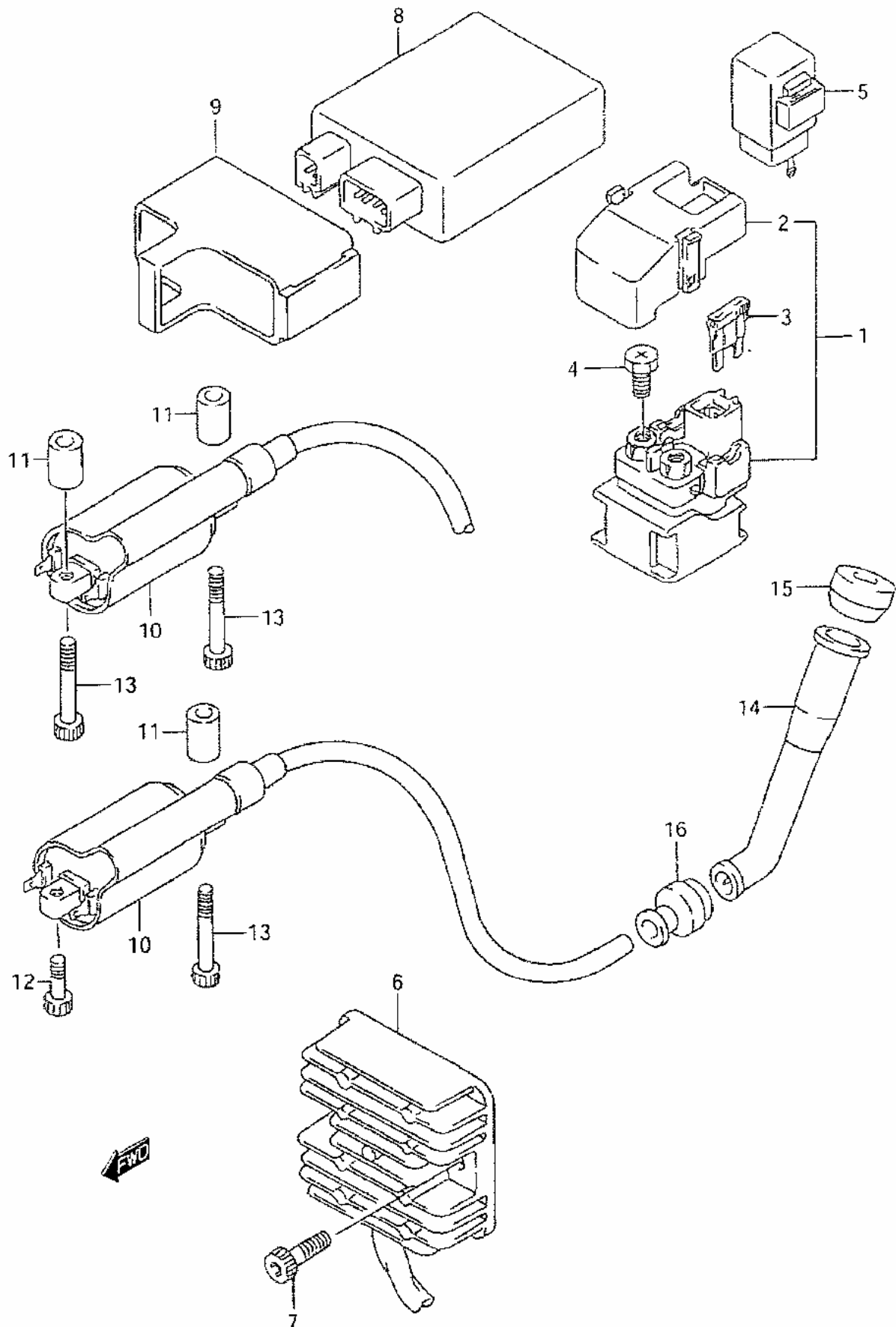
CYLINDER

- | | |
|--------|------------------------|
| (1-1) | 11210-48E50 |
| | Discontinued |
| (1-2) | 11210-48E50-0F0 |
| | CYLINDER COMP,F |
| (2-1) | 11220-48E50 |
| | Discontinued |
| (2-2) | 11220-48E50-0F0 |
| | CYLINDER COMP,R |
| (3) | 11241-45C20 |
| | GASKET,CYLINDER |
| (4) | 04211-13189 |
| | PIN |
| (5) | 11237-48E00 |
| | CHAMBER,WATER I |
| (6-1) | 01547-06207 |
| | BOLT 6 X 20 |
| (6-2) | 01547-06203 |
| | BOLT6X20 |
| (7) | 11247-38A00 |
| | O-RING,INLET WA |
| (8) | 11235-45C10 |
| | UNION,WATER INL |
| (9-1) | 01547-06167 |
| | BOLT 6X16 |
| (9-2) | 01547-06163 |
| | BOLT |
| (10) | 09280-16005 |
| | OIL STRAINER O |
| (11) | 11236-45C10 |
| | CHAMBER,WATER O |
| (12) | 11246-38A00 |
| | O-RING,OUTLET W |
| (13-1) | 17853-28C20 |
| | Discontinued |
| (13-2) | 17851-01A00 |
| | HOSE,RADIATOR I |
| (14) | 09402-28511 |
| | CLAMP |



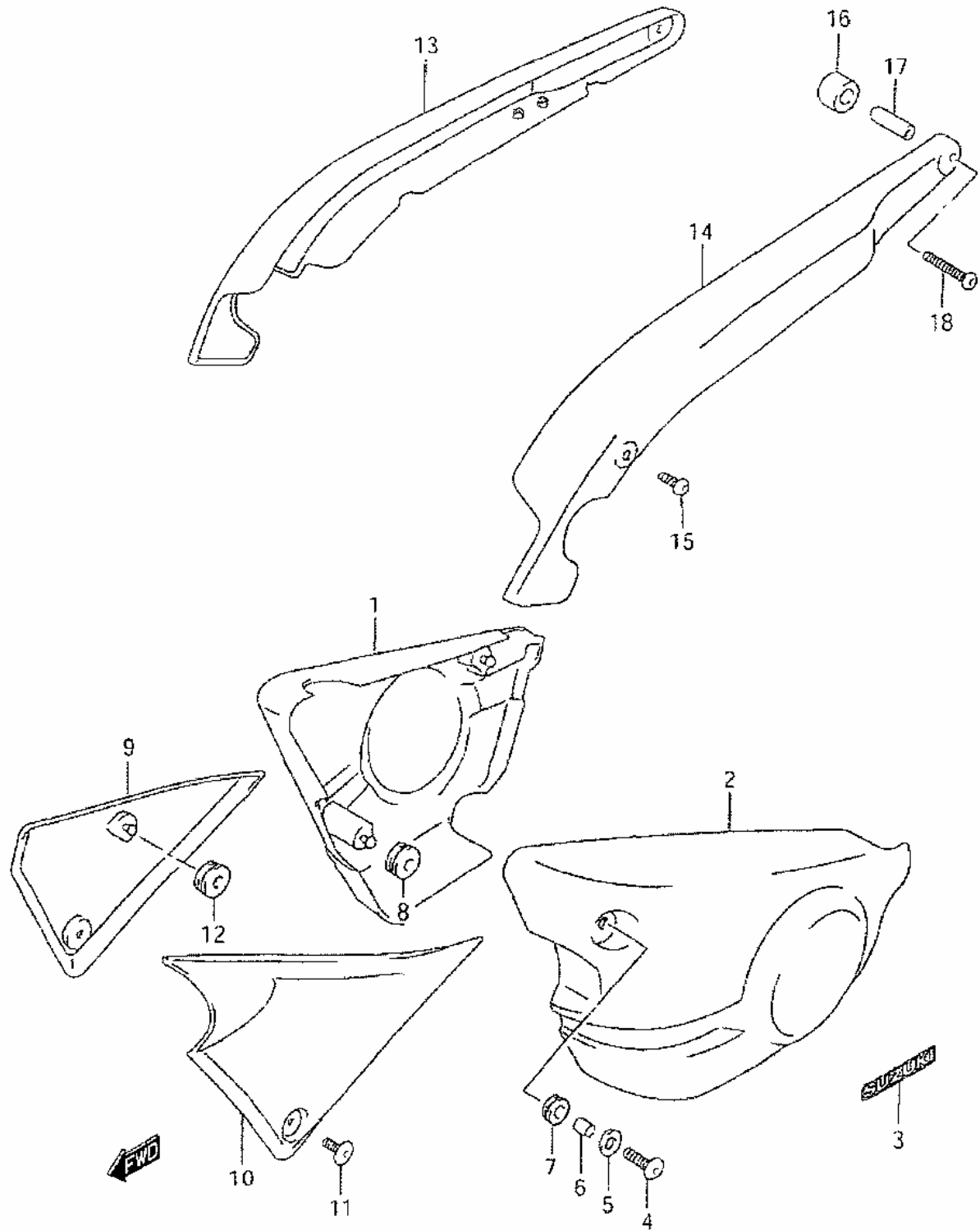
ELECTRICAL

- (1) **31800-21E20**
RELAY ASSY,STAR
- (2) **31861-21E20**
>> COVER,RELAY ASS
- (3) **09481-30101**
>> FUSE,30A
- (4) **09128-06013**
SCREW
- (5) **31890-48E00**
CONTROL UNIT,ST
- (6) **32800-45C01**
RECTIFIER ASSY
- (7) **07130-06163**
BOLT
- (8) **32900-48E30**
IGNITER ASSY
- (9) **32980-40C01**
CUSHION,IGNITER
- (10) **33410-48E00**
COIL ASSY,IGNIT
- (11) **09180-06198**
Discontinued
- (12) **07130-05163**
BOLT
- (13) **07130-05353**
BOLT
- (14) **33510-11410**
CAP SPARK PLUG
- (15) **33541-24510**
Discontinued
- (16) **33542-38B00**
SEAL HI TENSION



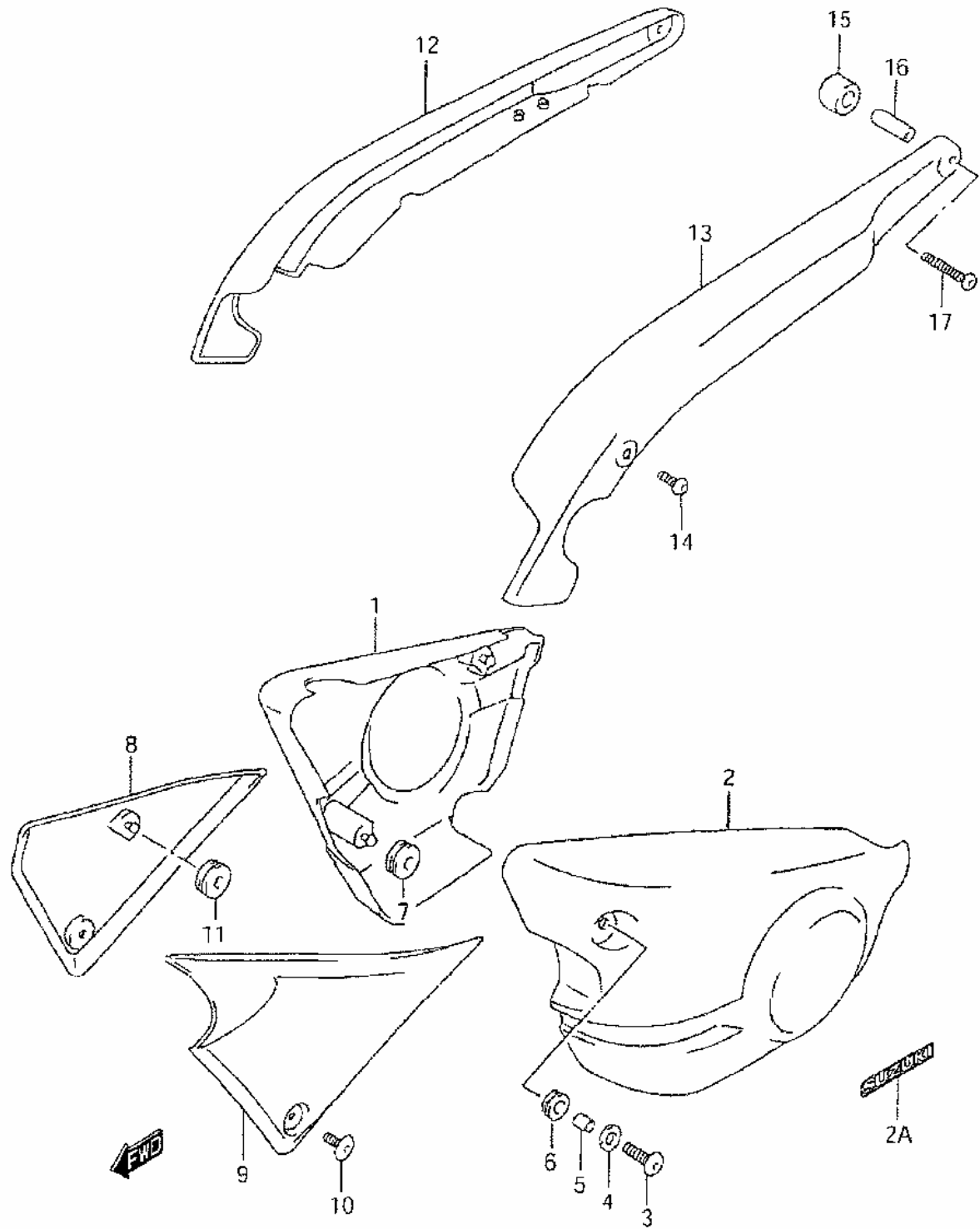
FRAME COVER K2 K3

- (1-1) **47111-48E41**
COVER,FRAME,R
- (1-2) **47111-48E61**
COVER,FRAME,R
- (2) **47211-48E30**
COVER, FRAME, L
- (3) **68271-34A00-20G**
EMBLEM, FRAME C
- (4) **09139-06030**
SCREW
- (5) **09160-06028**
MUD GUARD WASHE
- (6) **09180-06263**
SPACER,6.5X9X9
- (7) **09320-09016**
CUSHION
- (8) **09320-08018**
CUSHION FRAME C
- (9) **47511-48E00**
COVER,FRAME HEA
- (10) **47521-48E00**
COVER,FRAME HEA
- (11) **09139-06039**
SCREW 6X16
- (12) **09320-08018**
CUSHION FRAME C
- (13) **47120-48E00**
COVER COMP,FRAM
- (14) **47220-48E00**
COVER COMP,FRAM
- (15) **09106-08140**
BOLT
- (16) **47129-48E00**
CUSHION,FRAME R
- (17) **09180-08197**
COLLAR,8.5X12X2
- (18) **09106-08141**
BOLT



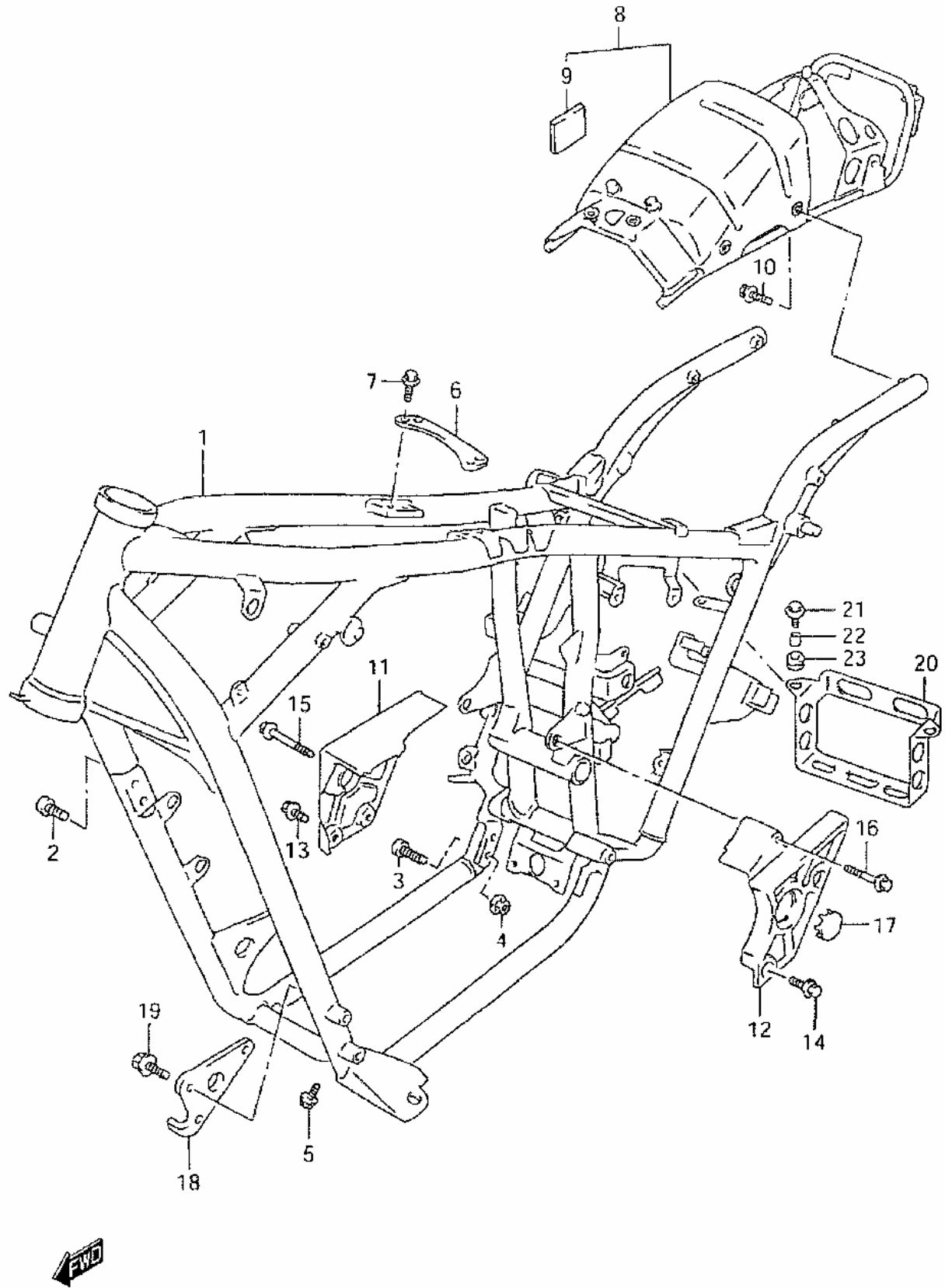
FRAME COVER V W X Y K1

- (1-1) **47111-48E00**
COVER,FRAME,R
- (1-2) **47111-48E40**
Discontinued
- (1-3) **47111-48E10**
Discontinued
- (2-1) **47211-48E00**
COVER,FRAME,L
- (2-2) **47211-48E30**
COVER, FRAME, L
- (2A) **68271-34A00-20G**
EMBLEM, FRAME C
- (3) **09139-06030**
SCREW
- (4) **09160-06028**
MUD GUARD WASHE
- (5) **09180-06263**
SPACER,6.5X9X9
- (6) **09320-09016**
CUSHION
- (7) **09320-08018**
CUSHION FRAME C
- (8) **47511-48E00**
COVER,FRAME HEA
- (9) **47521-48E00**
COVER,FRAME HEA
- (10) **09139-06039**
SCREW 6X16
- (11) **09320-08018**
CUSHION FRAME C
- (12) **47120-48E00**
COVER COMP,FRAM
- (13) **47220-48E00**
COVER COMP,FRAM
- (14) **09106-08140**
BOLT
- (15) **47129-48E00**
CUSHION,FRAME R
- (16) **09180-08197**
COLLAR,8.5X12X2
- (17) **09106-08141**
BOLT



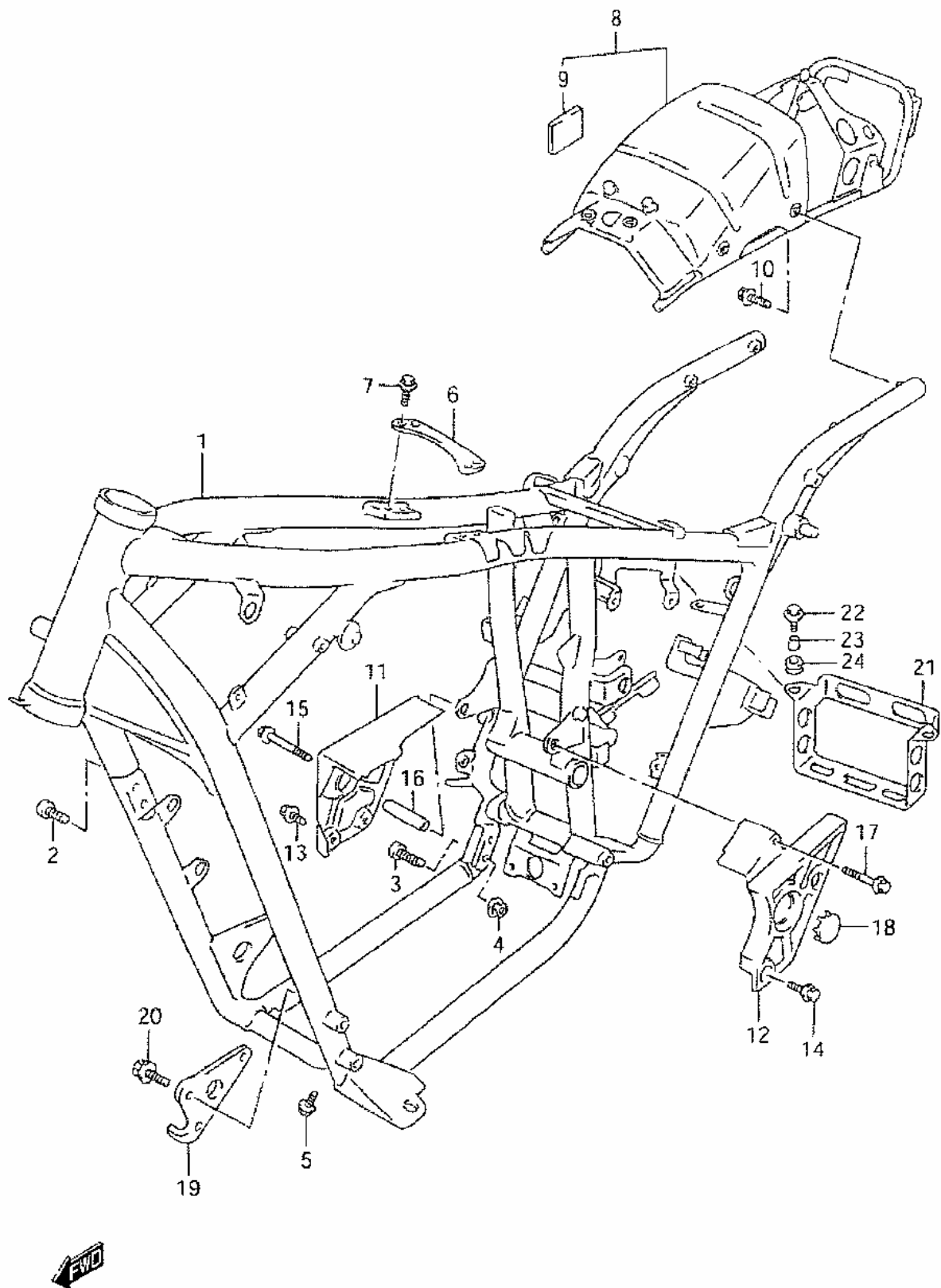
FRAME K1 K2 K3

- (1) **41100-48EA0-019**
FRAME COMP.
- (2) **07130-10253**
BOLT
- (3) **07130-10353**
BOLT
- (4) **08319-31103**
NUT
- (5) **01550-08163**
BOLT
- (6) **41999-48E00**
PLATE,FRAME BOD
- (7) **09106-08140**
BOLT
- (8) **41501-48E00**
BRACE ASSY,REAR
- (9) **13719-84150**
>> PAD,AIR CLEANER
- (10) **01551-08203**
BOLT
- (11) **41961-48E10**
COVER,PIVOT,R
- (12) **41962-48E10**
COVER,PIVOT,L
- (13) **09106-08128**
BOLT
- (14) **41964-48E00**
BOLT,PIVOT COVE
- (15) **09106-08128**
BOLT
- (16) **41965-48E00**
BOLT,PIVOT COVE
- (17) **61222-38A01**
CAP,RR SWGARM P
- (18) **41921-48E00**
PLATE,ENG MOUNT
- (19) **01580-10303**
BOLT
- (20) **41540-48E00**
HOLDER COMP,BAT
- (21) **09116-06006**
BOLT, 6X16 W/PL
- (22) **09180-06261**
SPACER,6.5X9X8
- (23) **09320-08021**
CUSHION FUEL TA



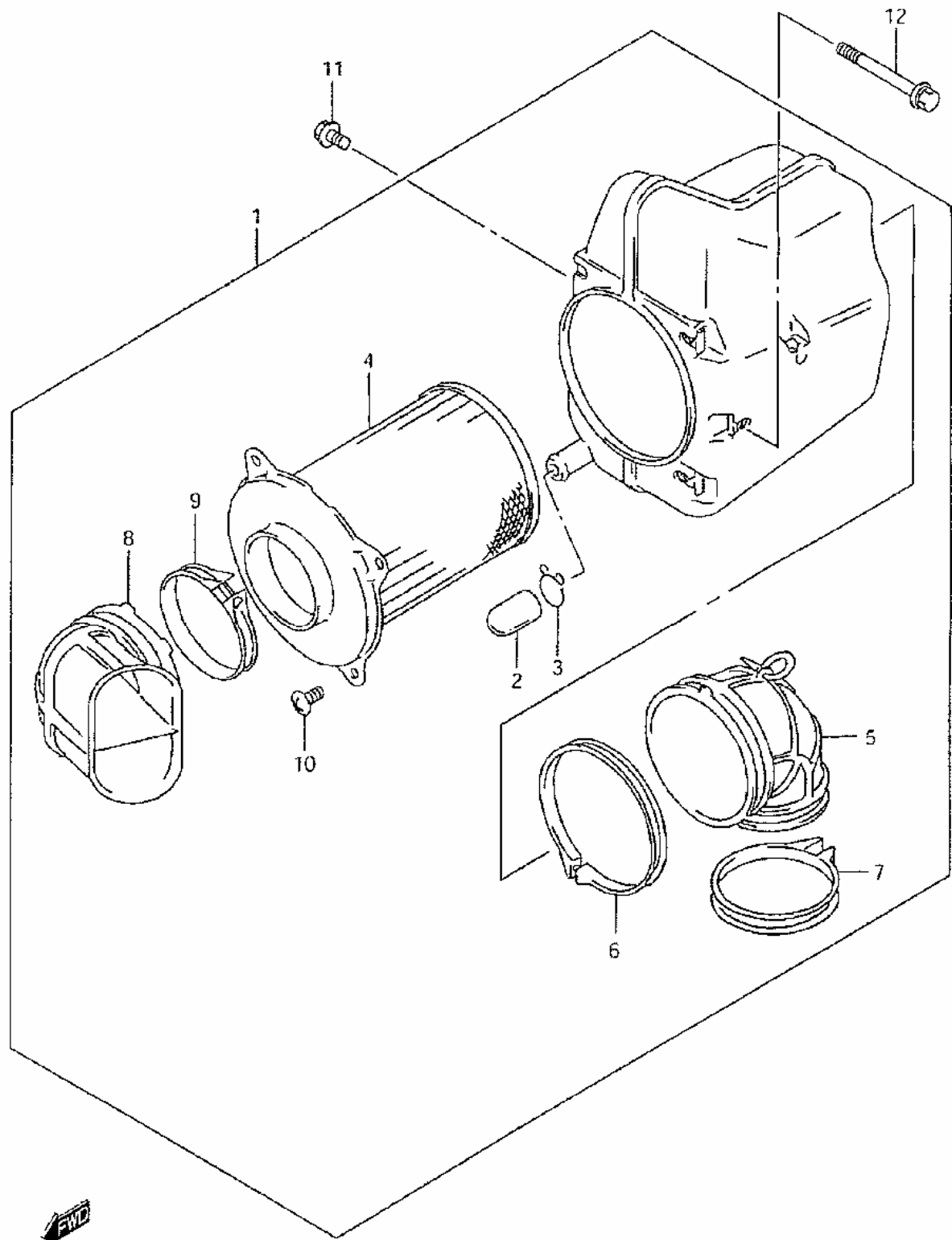
FRAME V W X Y

- (1-1) **41100-48E20-019**
FRAME COMP.
- (1-2) **41100-48E60-019**
FRAME
- (1-3) **41100-48E70-019**
FRAME COMP.
- (2) **07130-10253**
BOLT
- (3) **07130-10353**
BOLT
- (4) **08319-31103**
NUT
- (5) **01550-08163**
BOLT
- (6) **41999-48E00**
PLATE,FRAME BOD
- (7-1) **01550-08203**
HEX BOLT 8X20
- (7-2) **09106-08118**
BOLT,8X20
- (7-3) **09106-08140**
BOLT
- (8) **41501-48E00**
BRACE ASSY,REAR
- (9) **13719-84150**
>> PAD,AIR CLEANER
- (10) **01551-08203**
BOLT
- (11-1) **41961-48E00**
COVER,PIVOT,R
- (11-2) **41961-48E10**
COVER,PIVOT,R
- (12-1) **41962-48E00**
COVER,PIVOT,L
- (12-2) **41962-48E10**
COVER,PIVOT,L
- (13-1) **41963-48E00**
BOLT,PIVOT COVE
- (13-2) **09106-08128**
BOLT
- (14) **41964-48E00**
BOLT,PIVOT COVE
- (15-1) **41966-48E00**
BOLT,PIVOT COVE
- (15-2) **09106-08128**
BOLT
- (16) **41967-48E00**
SPACER,PIVOT CO
- (17) **41965-48E00**
BOLT,PIVOT COVE
- (18) **61222-38A01**
CAP,RR SWGARM P
- (19) **41921-48E00**
PLATE,ENG MOUNT
- (20) **01580-10303**
BOLT
- (21) **41540-48E00**
HOLDER COMP,BAT
- (22) **09116-06006**
BOLT, 6X16 W/PL
- (23-1) **09180-06262**
SPACER,6.5X9X8.
- (23-2) **09180-06261**
SPACER,6.5X9X8
- (24) **09320-08021**
CUSHION FUEL TA



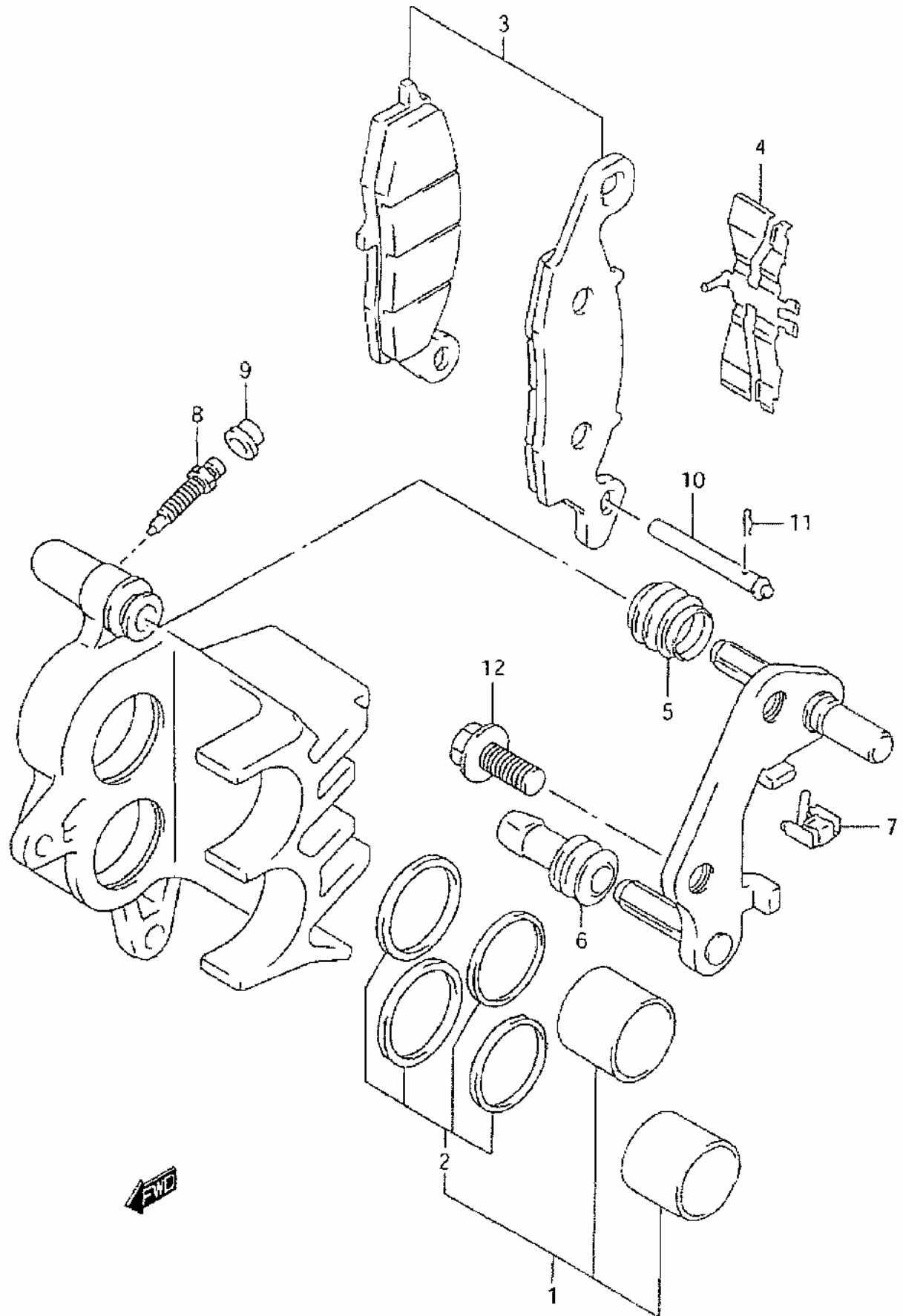
FRONT AIR CLEANER

- (1) **13700-48E50**
CLEANER ASSY, AI
- (2) **13859-41B10**
>> PLUG
- (3) **09401-14301**
>> BREATHER HOSE C
- (4) **13780-48E00**
>> FILTER, AIR CLEA
- (5) **13881-38B00**
>> TUBE OUTLET
- (6) **09402-72207**
>> CLAMP
- (7) **09402-58208**
>> CLAMP
- (8) **13891-45C30**
>> TUBE, INLET
- (9) **09402-56208**
>> CLAMP
- (10) **02142-05107**
>> SCREW
- (11-1) **01580-06123**
BOLT
- (11-2) **02142-06123**
SCREW M6X1X12
- (12-1) **01580-06553**
BOLT
- (12-2) **02142-06553**
SCREW



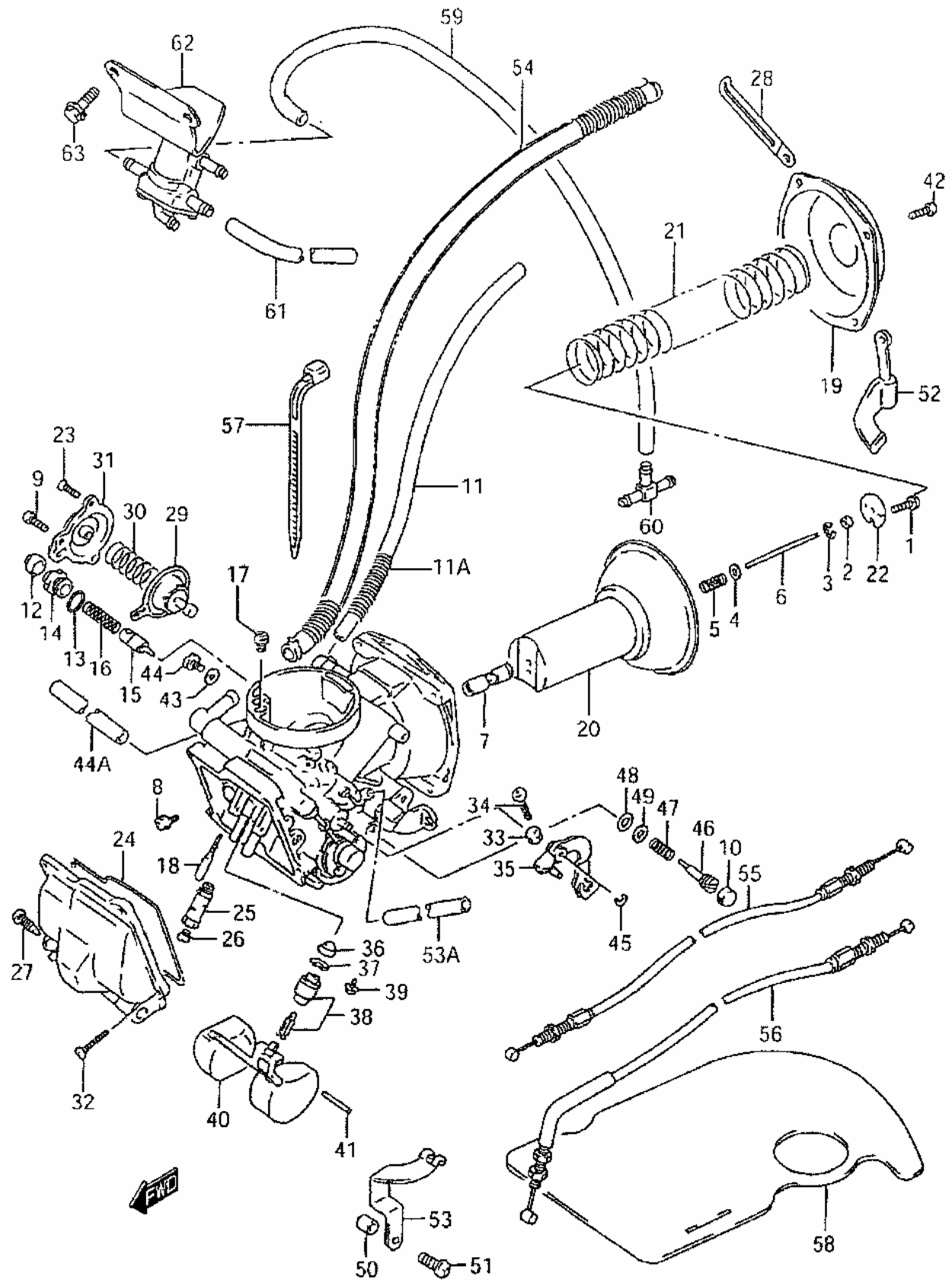
FRONT CALIPER

- (-) **59100-33D21**
Discontinued
- (1) **59301-20820**
>> PISTON SET
- (2) **59300-35820**
>>> SEAL SET,PISTON
- (3) **59100-33870**
>> PAD SET
- (4) **59115-33D00**
>> SPRING,PAD,R
- (5) **59112-44B00**
>> BOOT, AXLE
- (6) **59313-36500**
>> INSULATOR AXLE
- (7) **59116-33D00**
>> GUIDE,PAD
- (8) **59121-18410**
>> BLEEDER
- (9) **55156-66310**
>> CAP,BLEEDER PLU
- (10) **59141-44B01**
>> PIN,PAD
- (11) **69142-45000**
>> BRAKE PAD PIN C
- (12) **01550-10257**
BOLT



FRONT CARBURETOR

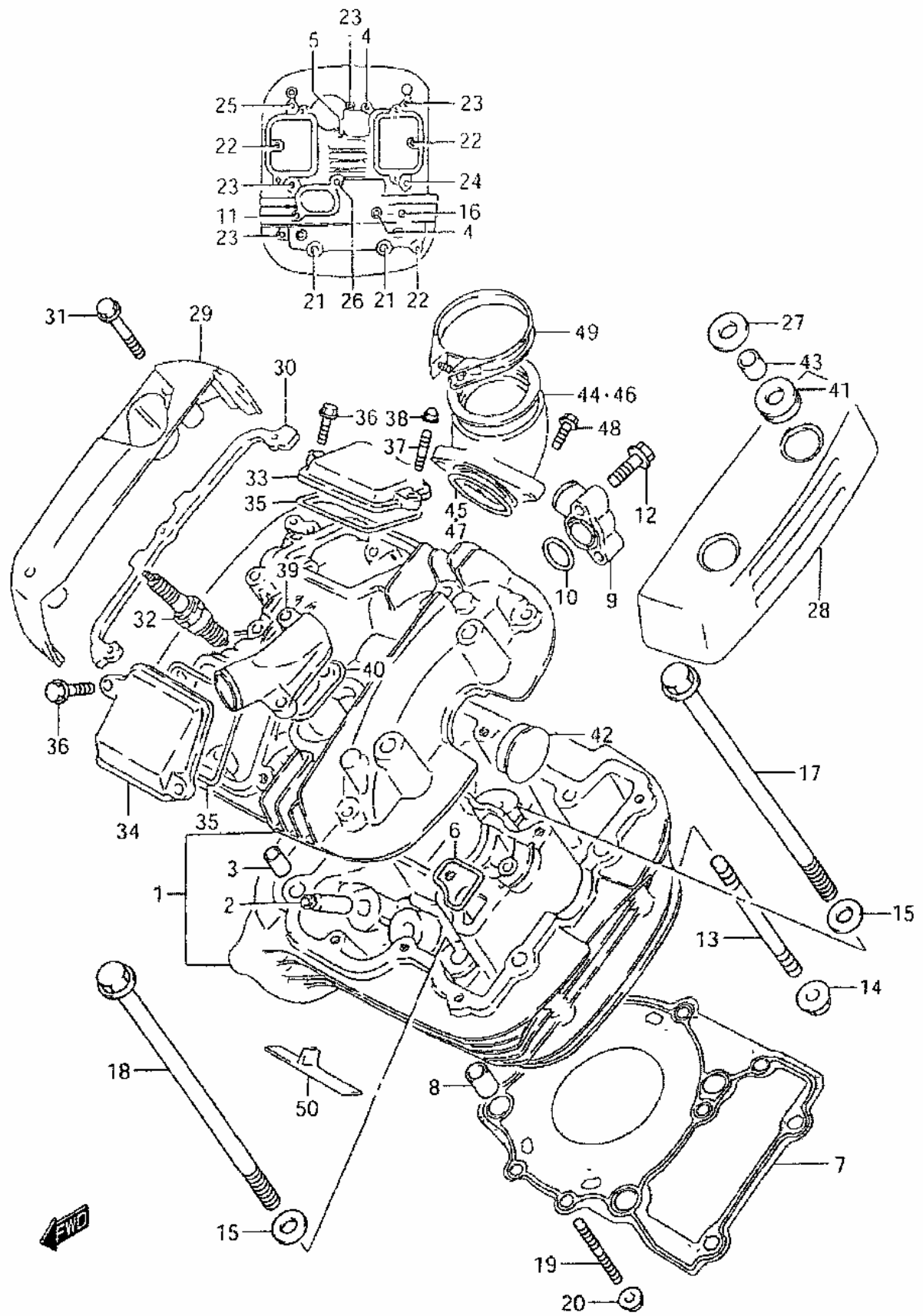
- (-) 13210-48E70
CARBURETOR ASSY
- (-) 13210-48EB0
CARBURETOR ASSY
- (-) 13210-48EF0
CARBURETOR ASSY
- (-) 13210-48EG0
CARB ASSY (CA)
- (1) 02112-33073
>> BOLT
- (2) 13387-47010
>> JET NEEDLE RING
- (3) 13394-10010
>> NEEDLE CLIP
- (4-1) 13382-44030
>> WASHER
- (4-2) 13382-03110
>> WASHER
- (5) 13388-44030
>> SPRING
- (6) 13383-48E80
>> NEEDLE, JET (5C4)
- (7) 09494-00901
>> JET, NEEDLE (P-4)
- (8) 13605-38B00
>> SCREW
- (9) 02112-04107
>> SCREW
- (10) 13281-05A00
>> PLUG
- (11-1) 13684-48E00
>> HOSE
- (11-2) 13683-19B80
>> HOSE, AIR VENT (
- (11-3) 13684-48EA0
>> HOSE
- (11-4) 13683-33C20
>> (CA) HOSE 5X8X8
- (11-5) 13683-19B80
>> HOSE, AIR VENT (
- (11A) 13689-38A00
>> SPRING
- (12) 13681-04010
>> CARBURETOR CAP
- (13) 13278-47090
>> O RING
- (14) 13418-38A00
>> HOLDER, GUIDE
- (15) 13411-01400
>> VALVE STARTER
- (16) 13417-08210
>> STARTER SPRING
- (17) 09492-65005
>> PILOT JET
- (18) 09492-40021
>> JET, PILOT(40)
- (19-1) 13502-45C10
>> COVER
- (19-2) 13502-38A00
>> COVER
- (20) 13500-05A10
>> DIAPHRAGM
- (21) 13503-38B00
>> SPRING, DIAPHRA
- (22) 13389-37400
>> PLATE
- (23) 02122-04103
>> SCREW
- (24) 13251-38A00
>> RING
- (25) 13385-05A11
>> HOLDER, MAIN JET
- (26-1) 09491-90008
>> Discontinued
- (26-2) 09491-90011
>> JET, MAIN, 90
- (27-1) 13247-13A00
>> Discontinued
- (27-2) 13247-02340
>> PLUG DRAIN
- (28-1) 09404-06431
>> Discontinued
- (28-2) 09404-06432
>> CLAMP
- (29) 13480-05A10
>> DIAPHRAGM ASSY
- (30) 13481-45C10
>> SPRING
- (31) 13484-38A00
>> COVER
- (32) 13602-48B10
>> SCREW



(33)	08310-00047 >> NUT
(34)	02112-04307 >> SCREW
(35-1)	13554-45C00 >> Discontinued
(35-2)	13554-45C20 >> LEVER ASSY
(36-1)	13376-84110 >> Discontinued
(36-2)	13376-19F00 >> FILTER
(37-1)	13374-44080 >> Discontinued
(37-2)	13374-35C00 >> O RING,NEEDLE V
(38)	13370-39A00 >> VALVE ASSY,NEED
(39)	13602-05A10 >> SCREW
(40)	13250-38B00 >> FLOAT
(41)	13254-20010 >> FLOAT PIN
(42)	02112-05127 >> SCREW
(43)	13523-46110 >> DRAIN SCREW GAS
(44)	09125-05122 >> SCREW
(44A-1)	13683-48EG0 >> (CA) HOSE 5X8X4
(44A-2)	13683-19B80 >> HOSE,AIR VENT (
(45)	13415-38300 >> E RING
(46)	13279-47070 >> SCREW PILOT
(47)	13268-47070 >> SPRING
(48)	13295-29900 >> O RING
(49)	13291-29900 >> WASHER
(50)	13331-33E00 >> RING
(51)	13602-48E00 >> SCREW
(52)	13627-48E00 >> BRACKET
(53)	13627-48E10 >> BRACKET
(53A)	13683-48E10 >> HOSE ASSY
(54-1)	13683-48E00 HOSE ASSY
(54-2)	13683-48E10 HOSE ASSY
(55)	13641-48E00 CABLE,ID SYNCRO
(56)	13642-48E00 CABLE,THROTTLE
(57)	09407-18403 Discontinued
(58-1)	13840-48E00 Discontinued
(58-2)	13840-48E01 SHEET HEAT SHIE
(58-3)	13840-48E01 SHEET HEAT SHIE
(59-1)	13684-48EG0 (CA) HOSE 5X8X4
(59-2)	13684-02F10 HOSE (CA)
(60)	13685-48B00 (CA)NIPPLE
(61)	09355-50105-600 HOSE,5X10X600
(62)	13590-48E00 VALVE COMP,AIR
(63)	01550-06123 BOLT

FRONT CYLINDER HEAD

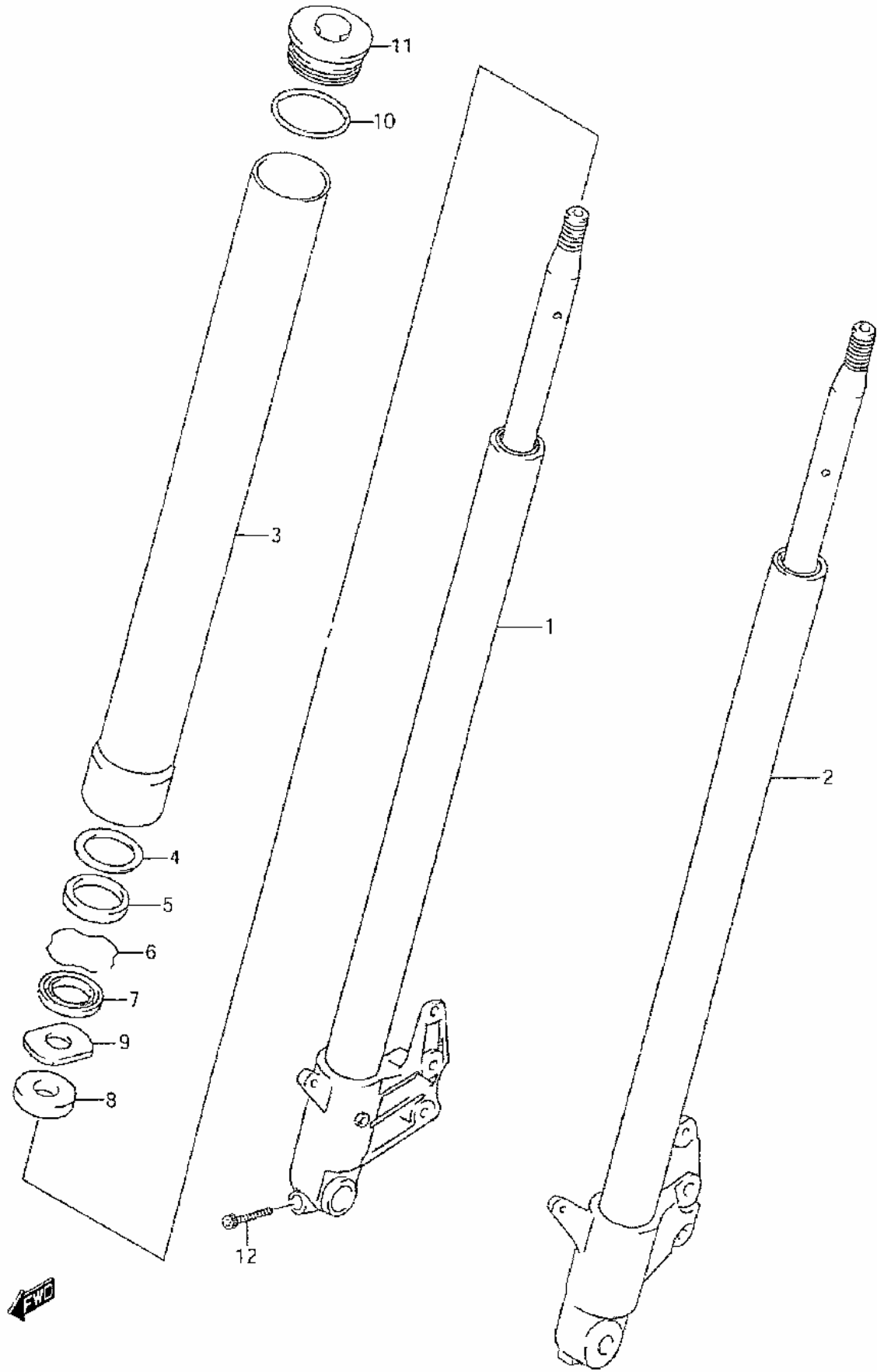
- (1) **11101-48E60**
HEAD ASSY,CYLIN
- (2) **09206-11004**
>> PIN
- (3) **09103-06101**
>> BOLT 6X50
- (4) **09103-06102**
>> BOLT 6X55
- (5) **11115-38A71**
GUIDE, VALVE
- (6) **11123-38A00**
GASKET,CYLINDER
- (7) **11141-45C00**
GASKET,CYL HD F
- (8) **04211-13189**
PIN
- (9) **11169-45C10**
UNION,CYLINDER
- (10-1) **09280-18010**
Discontinued
- (10-2) **09280-18004**
SEAL NUT O RING
- (11-1) **01550-06207**
BOLT
- (11-2) **01550-06203**
BOLT
- (12) **01547-06253**
BOLT
- (13) **09108-08144**
STUD BOLT L:40
- (14-1) **08316-10087**
NUT
- (14-2) **08316-10083**
NUT
- (15-1) **09160-10060**
WASHER
- (15-2) **09160-10039**
Discontinued
- (16) **09103-08040**
BOLT CRANKCASE
- (17) **09103-10133**
BOLT, L:155 10
- (18) **09103-10134**
BOLT, L:165 10
- (19) **01421-06408**
STUD BOLT
- (20-1) **08316-10067**
NUT
- (20-2) **08316-10063**
NUT
- (21) **09103-08180**
BOLT, L:245 8 X
- (22-1) **01550-06257**
BOLT
- (22-2) **01550-06253**
BOLT
- (23-1) **01550-06307**
BOLT
- (23-2) **01550-06303**
BOLT
- (24-1) **07120-06307**
BOLT
- (24-2) **07120-06303**
BOLT
- (25-1) **01550-06407**
BOLT
- (25-2) **01550-06403**
BOLT
- (26) **09103-06102**
BOLT 6X55
- (27-1) **09160-08098**



	WASHER 8.2X 24
(27-2)	09160-08130 Discontinued
(28)	11171-48E00 CAP,CYL HEAD CO
(29)	11172-48E00 CAP,CYL HEAD CO
(30)	11272-38A00 CUSHION,FR RIGH
(31)	09103-06193 BOLT
(32-1)	09482-00334 SPARK PLUG DPR8
(32-2)	09482-00335 SPARK PLUG X24E
(32-3)	09482-00354 SPARK PLUG DPR7
(32-4)	09482-00355 SPARK PLUG X22E
(32-5)	09482-00330 SPARK PLUG DPR9
(32-6)	09482-00331 SPARK PLUG X27E
(33)	11175-38A11 CAP,INSPECTION,
(34)	11176-38A11 CAP,INSPECTION,
(35)	11177-38A00 GASKET,INSPECTI
(36-1)	01547-06207 BOLT 6 X 20
(36-2)	01547-06203 BOLT6X20
(37-1)	01421-06168 6 X 16 STUD BOL
(37-2)	01421-06163 BOLT, STUD
(37-3)	09108-06102 STUD BOLT
(38-1)	08313-20067 NUT
(38-2)	08313-20063 NUT
(39)	11181-45C10 UNION,WATER OUT
(40)	11182-38A00 GASKET,WATER OU
(41)	09320-13015 CUSHION
(42)	09241-30004 PLUG CAM SHAFT
(43)	09301-08007 BUSH
(44-1)	13110-45C01 Discontinued
(44-2)	13110-45C02 Discontinued
(45-1)	09280-40003 Discontinued
(45-2)	09280-40010 O RING
(46)	13101-45C00 PIPE ASSY,INTAK
(47)	09280-40010 >> O RING
(48)	01550-06163 BOLT
(49)	09402-52501 CLAMP,INTAKE PI
(50)	11179-38A00 PLATE,HEAD COVE

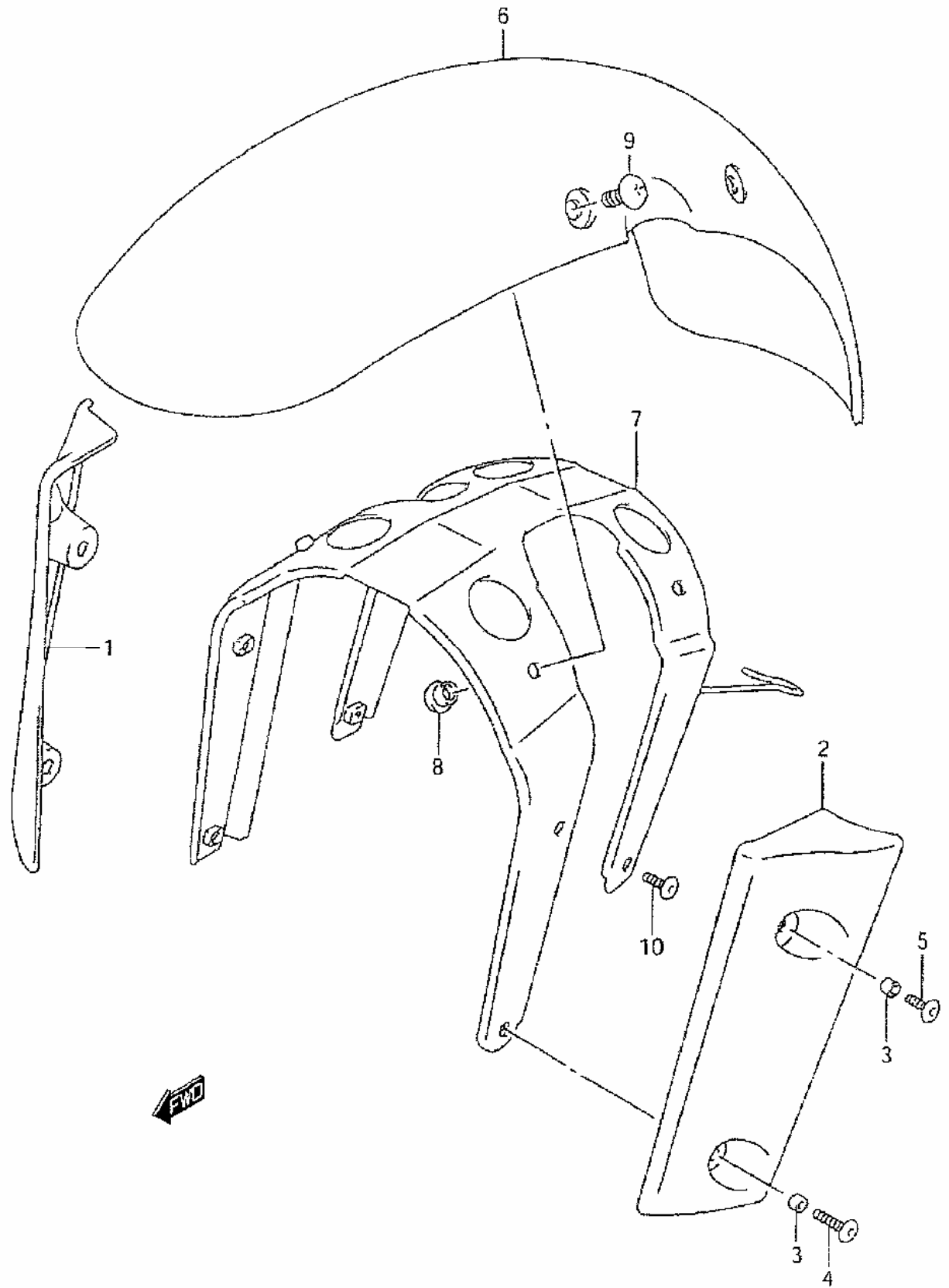
FRONT DAMPER

- (-) **51103-48E10**
DAMPER ASSY,FRO
- (-) **51104-48E10**
DAMPER ASSY,FRO
- (1) **51110-48E10**
>> DAMPER,FRONT FO
- (2) **51120-48E10**
>> DAMPER,FRONT FO
- (3) **51130-48E00**
>> TUBE,OUTER
- (4) **51158-05A00**
>> WASHER
- (5) **51153-27C20**
>> SEAL, OIL
- (6) **51156-49440**
>> CIRCLIP,OIL SEA
- (7) **51173-46E00**
>> SEAL,DUST
- (8) **51193-48E00**
>> RUBBER,CUSHION
- (9) **51353-48E00**
>> NUT
- (10) **51117-48E00**
>> O RING
- (11) **51351-48E00**
>> CAP
- (12) **51381-48E10**
>> BOLT,LOWER



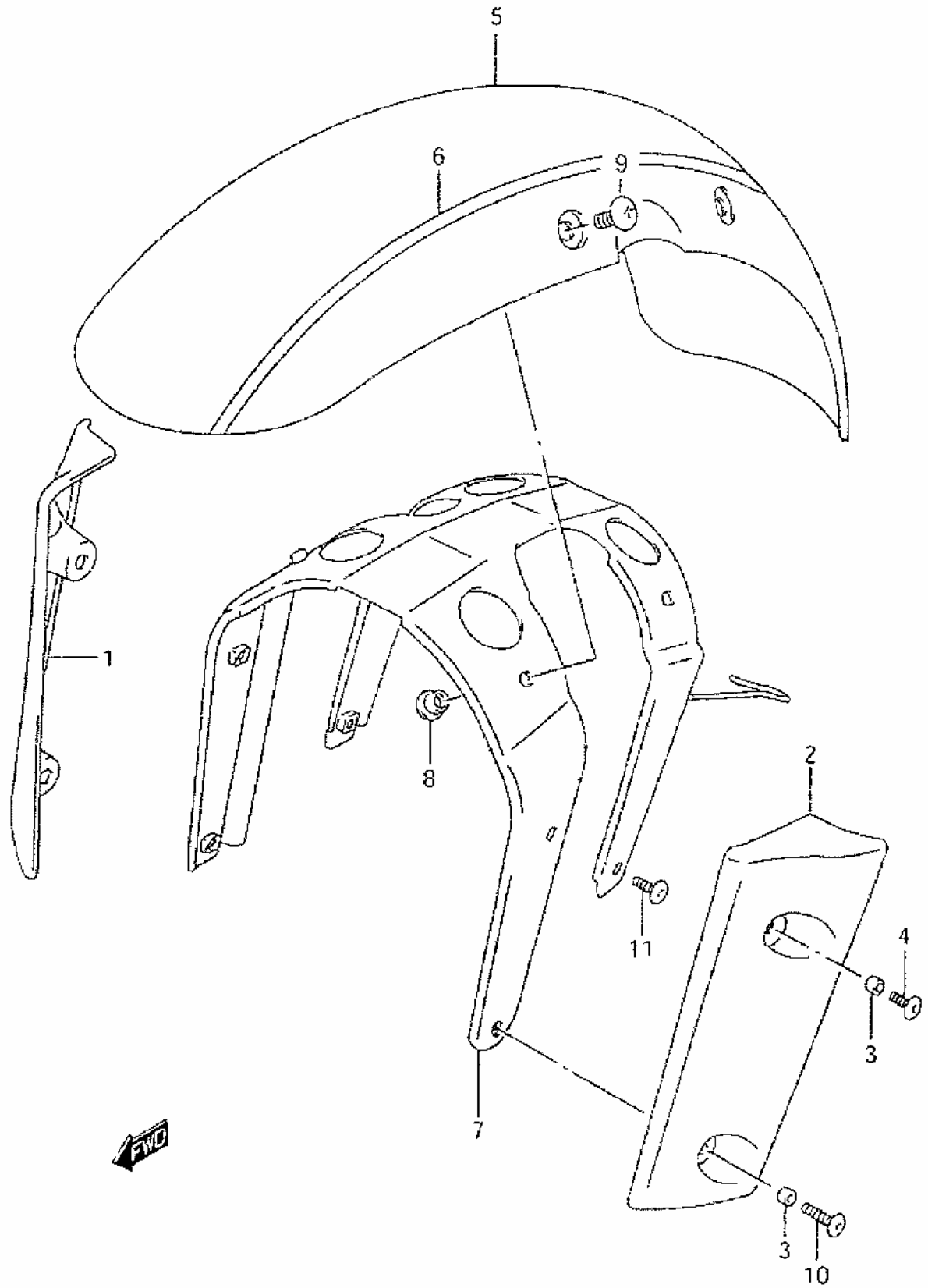
FRONT FENDER K1 K2 K3

- (1) **51881-48E00**
COVER,FRONT FOR
- (2) **51882-48E00**
COVER,FRONT FOR
- (3) **09180-06245**
SPACER,6.1X8X3.
- (4) **09139-06028**
SCREW 6X20
- (5) **09139-06027**
SCREW 6X12
- (6-1) **53111-48E00-33J**
Discontinued
- (6-2) **53111-48E00-YC2**
Discontinued
- (6-3) **53111-48E00-YE2**
Discontinued
- (6-4) **53111-48E10-33J**
FENDER, FRONT
- (6-5) **53111-48E10-1LF**
FENDER,FRONT
- (6-6) **53111-48E00-YD8**
FENDER,FRONT
- (7) **53120-48E00**
BRACE,FRONT FEN
- (8) **53122-33D00**
>> NUT
- (9) **09139-06027**
SCREW 6X12
- (10) **09139-06030**
SCREW



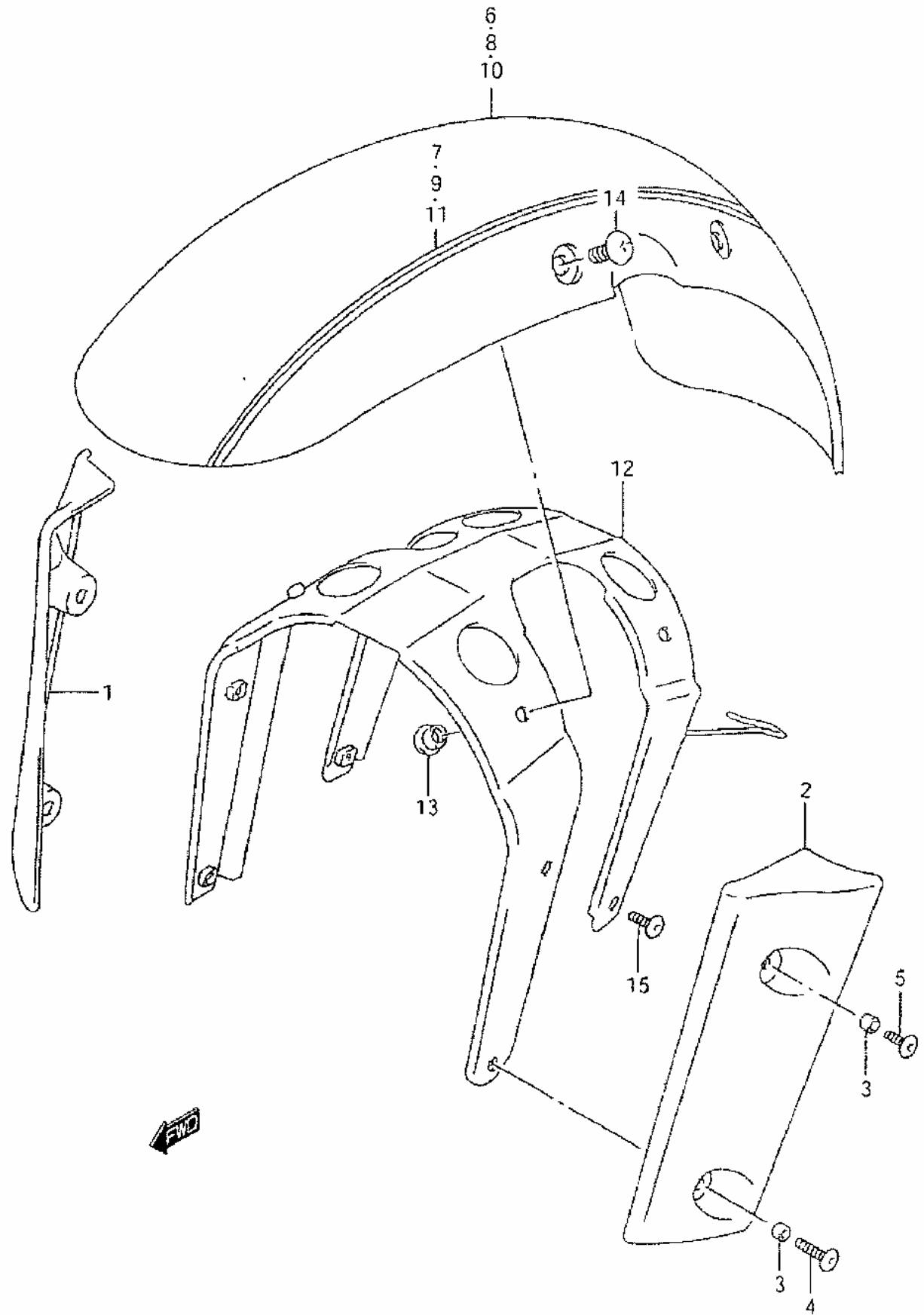
FRONT FENDER V

- (1) **51881-48E00**
COVER,FRONT FOR
- (2) **51882-48E00**
COVER,FRONT FOR
- (3) **09180-06245**
SPACER,6.1X8X3.
- (4) **09139-06027**
SCREW 6X12
- (5-1) **53100-48810-E9N**
FENDER,FRONT
- (5-2) **53100-48810-G9Y**
FENDER,FRONT
- (6-1) **68150-48E01-H0G**
>> TAPE SET,FRONT
- (6-2) **68150-48E01-H0H**
>> TAPE SET,FRONT
- (7) **53120-48E00**
BRACE,FRONT FEN
- (8) **53122-33D00**
>> NUT
- (9) **09139-06027**
SCREW 6X12
- (10) **09139-06028**
SCREW 6X20
- (11) **09139-06030**
SCREW



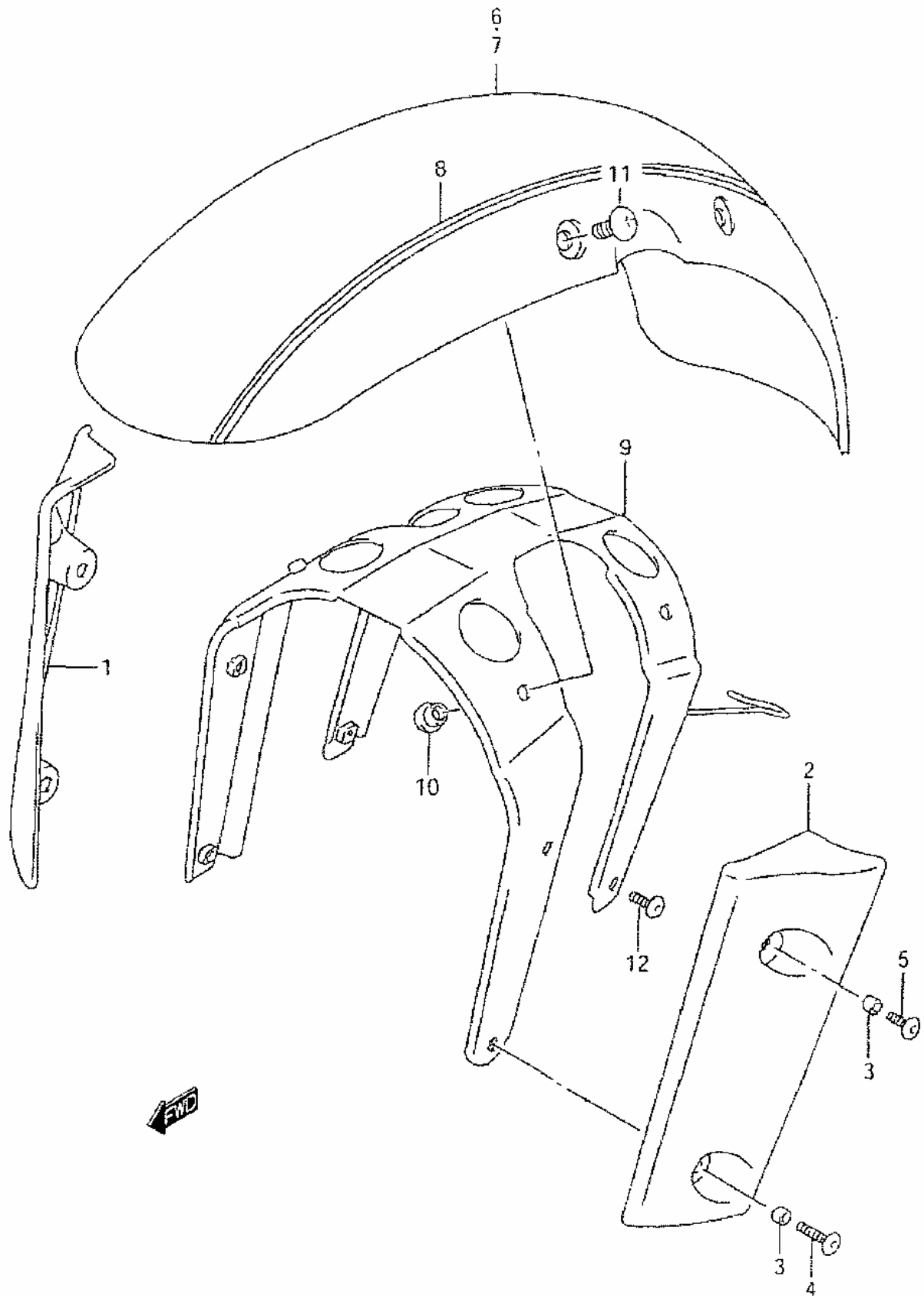
FRONT FENDER W X

- (1) **51881-48E00**
COVER,FRONT FOR
- (2) **51882-48E00**
COVER,FRONT FOR
- (3) **09180-06245**
SPACER,6.1X8X3.
- (4) **09139-06028**
SCREW 6X20
- (5) **09139-06027**
SCREW 6X12
- (6) **53110-48E30-J8K**
Discontinued
- (7) **68150-48E10-J9G**
>> TAPE SET,FRONT
- (8) **53110-48E40-J4M**
Discontinued
- (9) **68150-48E20-J6F**
>> TAPE SET,FRONT
- (10-1) **53110-48E70-E9N**
FENDER COMP,FRO
- (10-2) **53110-48E70-G7U**
Discontinued
- (11-1) **68150-48E30-H0G**
>> TAPE SET,FRONT
- (11-2) **68150-48E30-M1Z**
>> TAPE SET,FRONT
- (12) **53120-48E00**
BRACE,FRONT FEN
- (13) **53122-33D00**
>> NUT
- (14) **09139-06027**
SCREW 6X12
- (15) **09139-06030**
SCREW



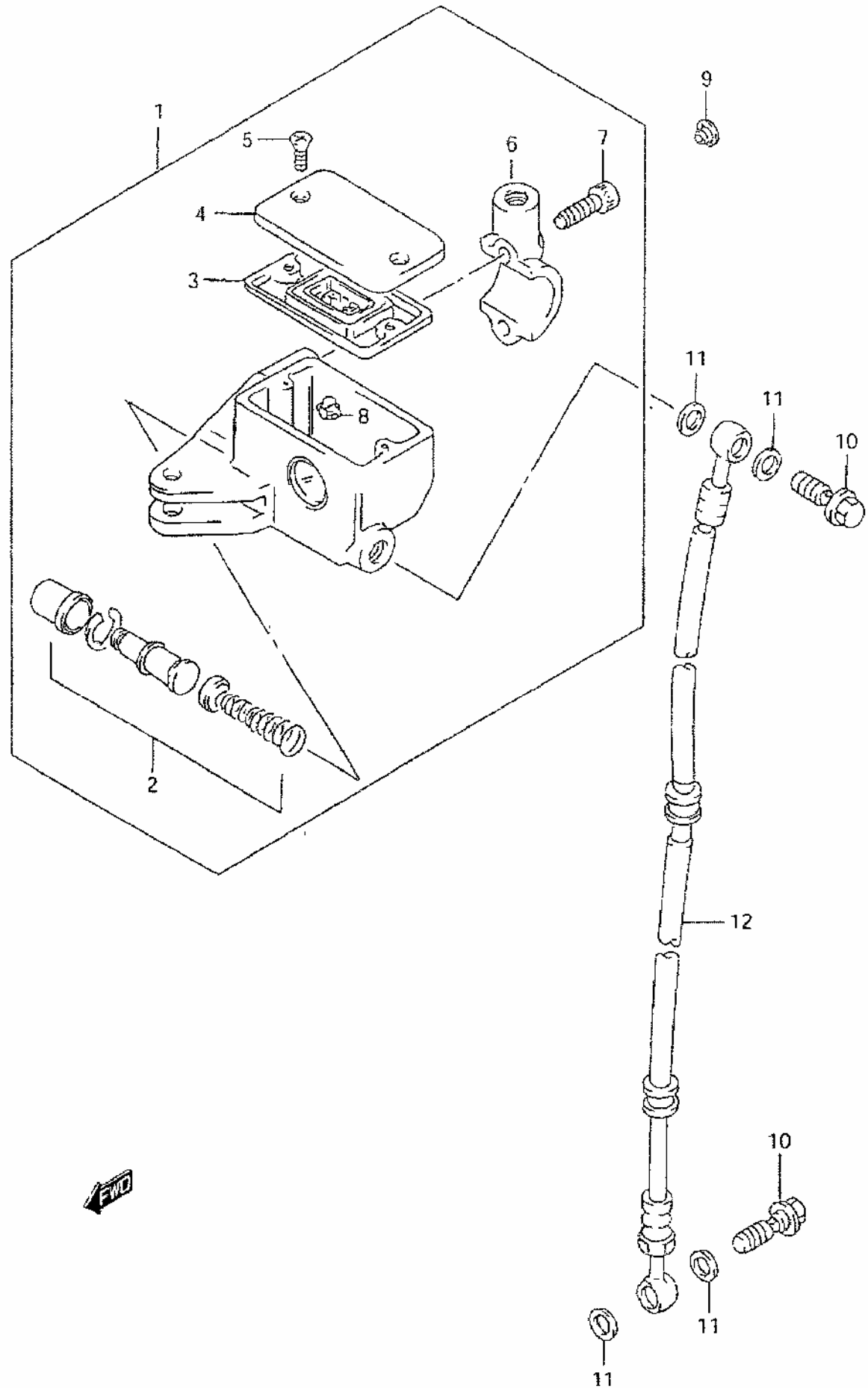
FRONT FENDER Y

- (1) **51881-48E00**
COVER,FRONT FOR
- (2) **51882-48E00**
COVER,FRONT FOR
- (3) **09180-06245**
SPACER,6.1X8X3.
- (4) **09139-06028**
SCREW 6X20
- (5) **09139-06027**
SCREW 6X12
- (6) **53111-48E00-33J**
Discontinued
- (7-1) **53110-48E80-BP8**
FENDER COMP,FRO
- (7-2) **53110-48E80-M9U**
UNAVAILABLE
- (8-1) **68150-48E30-BU3**
>> TAPE SET,FRONT
- (8-2) **68150-48E30-BU2**
>> UNAVAILABLE
- (9) **53120-48E00**
BRACE,FRONT FEN
- (10) **53122-33D00**
>> NUT
- (11) **09139-06027**
SCREW 6X12
- (12) **09139-06030**
SCREW



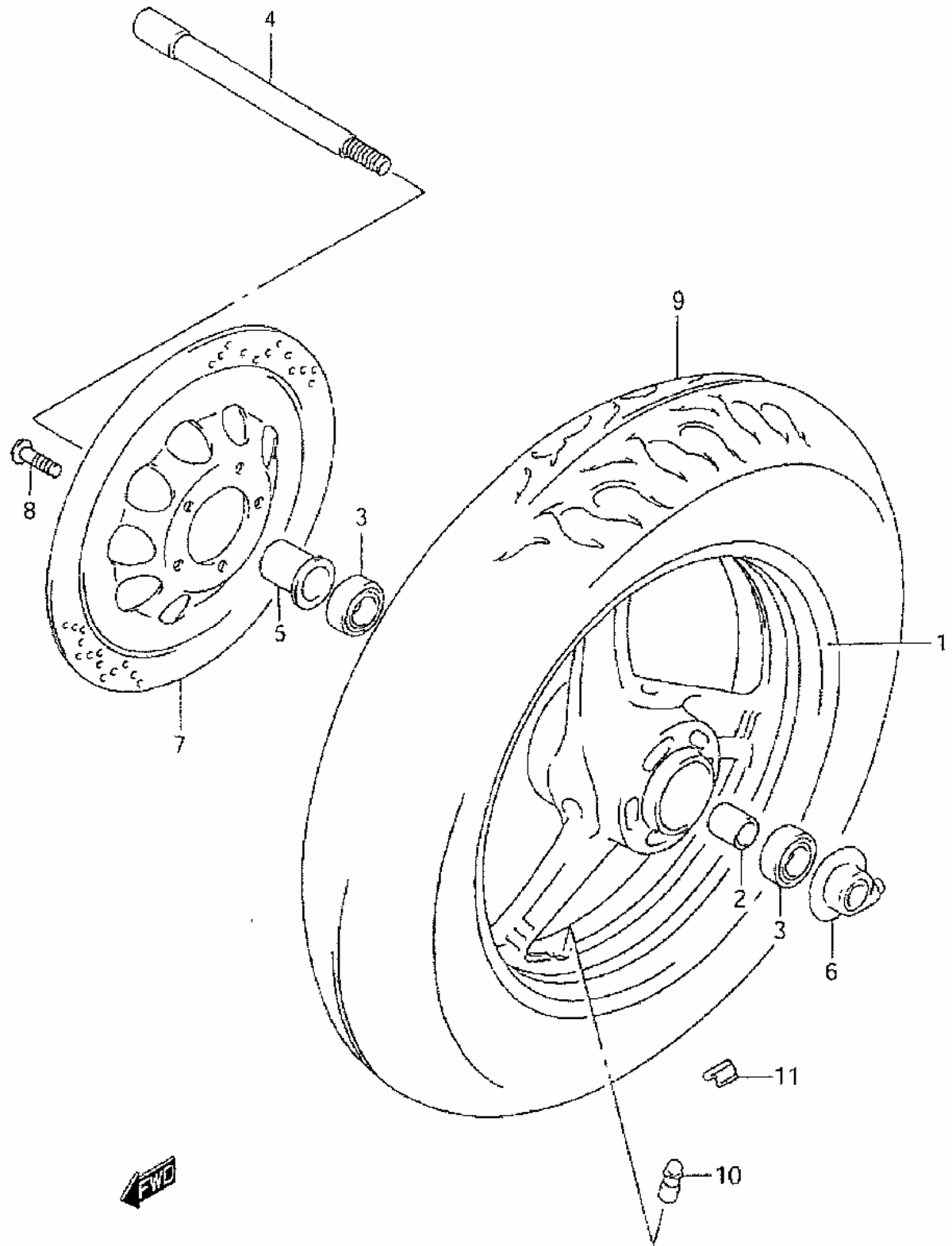
FRONT MASTER CYLINDER

- (1) **59600-37D10**
CYLINDER ASSY,F
- (2) **59600-04810**
>> PISTON/CUP SET
- (3) **59667-49460**
>> DIAPHRAGM,MASTE
- (4) **59669-24B00**
>> CAP,MASTER CYLI
- (5) **02122-04127**
>> SCREW
- (6) **59671-38A00**
>> HOLDER
- (7) **07130-06207**
>> BOLT
- (8) **59664-48B00**
>> PROTECTOR
- (9) **09250-05008**
CAP
- (10) **09360-10042**
BOLT
- (11) **09161-10009**
WASHER
- (12-1) **59480-48E10**
HOSE COMP,FRONT
- (12-2) **59480-48E20**
HOSE,FR BRAKE



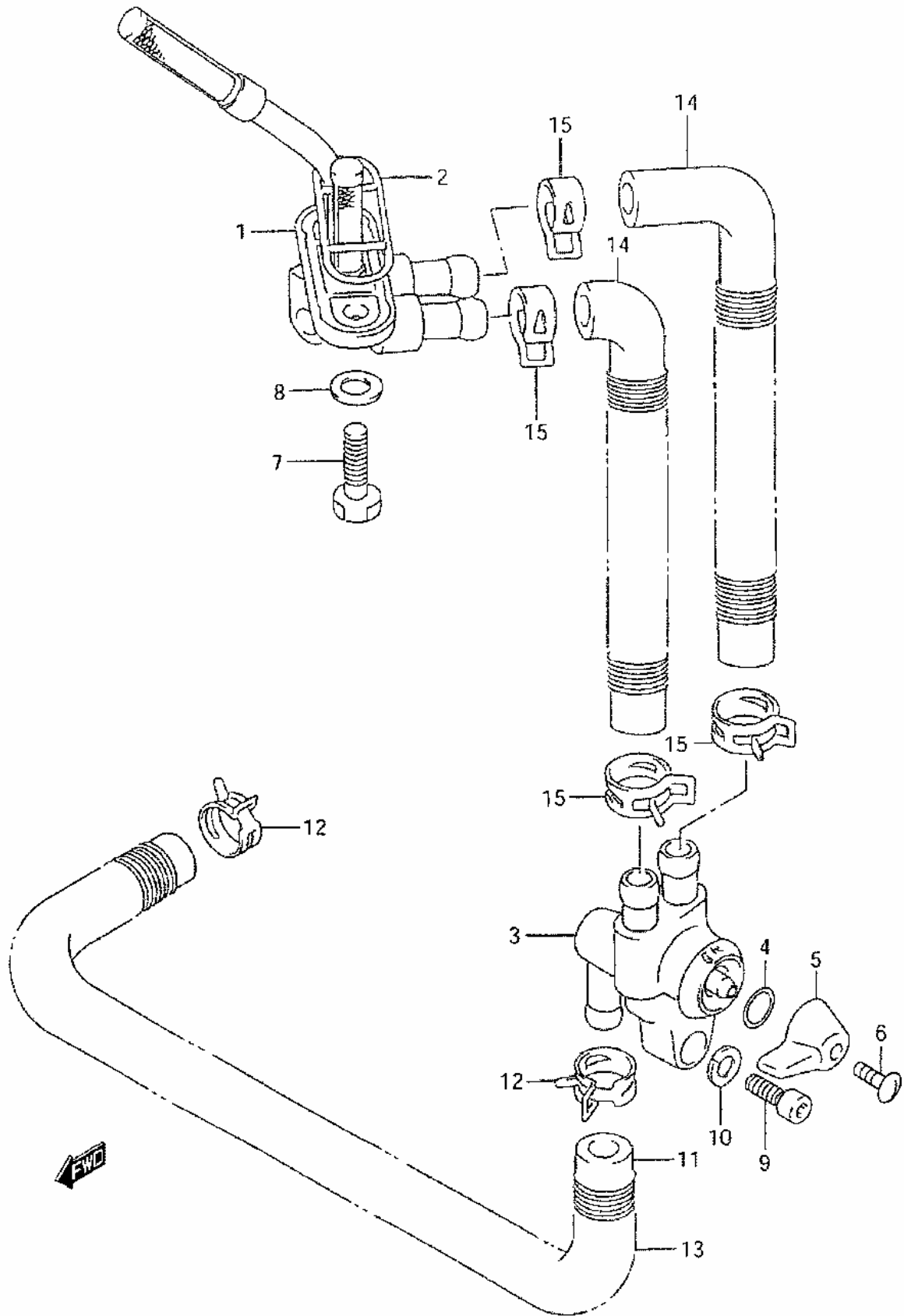
FRONT WHEEL

- (1) **54111-48E00-12R**
Discontinued
- (2) **09180-17101**
SPACER,17.5X25X
- (3) **08143-62037**
B1 17X40X12 BEA
- (4) **54711-22D00**
AXLE,FRONT
- (5) **54740-26D00**
SPACER COMP,FRO
- (6) **54600-27A12**
BOX ASSY SPEEDO
- (7) **59211-48E00**
DISC,FRONT BRAK
- (8) **09106-08125**
BOLT,8X33
- (9) **55110-48E10**
TIRE COMP,FRONT
- (10) **43130-24A00**
VALVE ASSY
- (11-1) **55411-00A00**
BALANCER,WHEEL,
- (11-2) **55412-00A01**
BALANCER,WHEEL



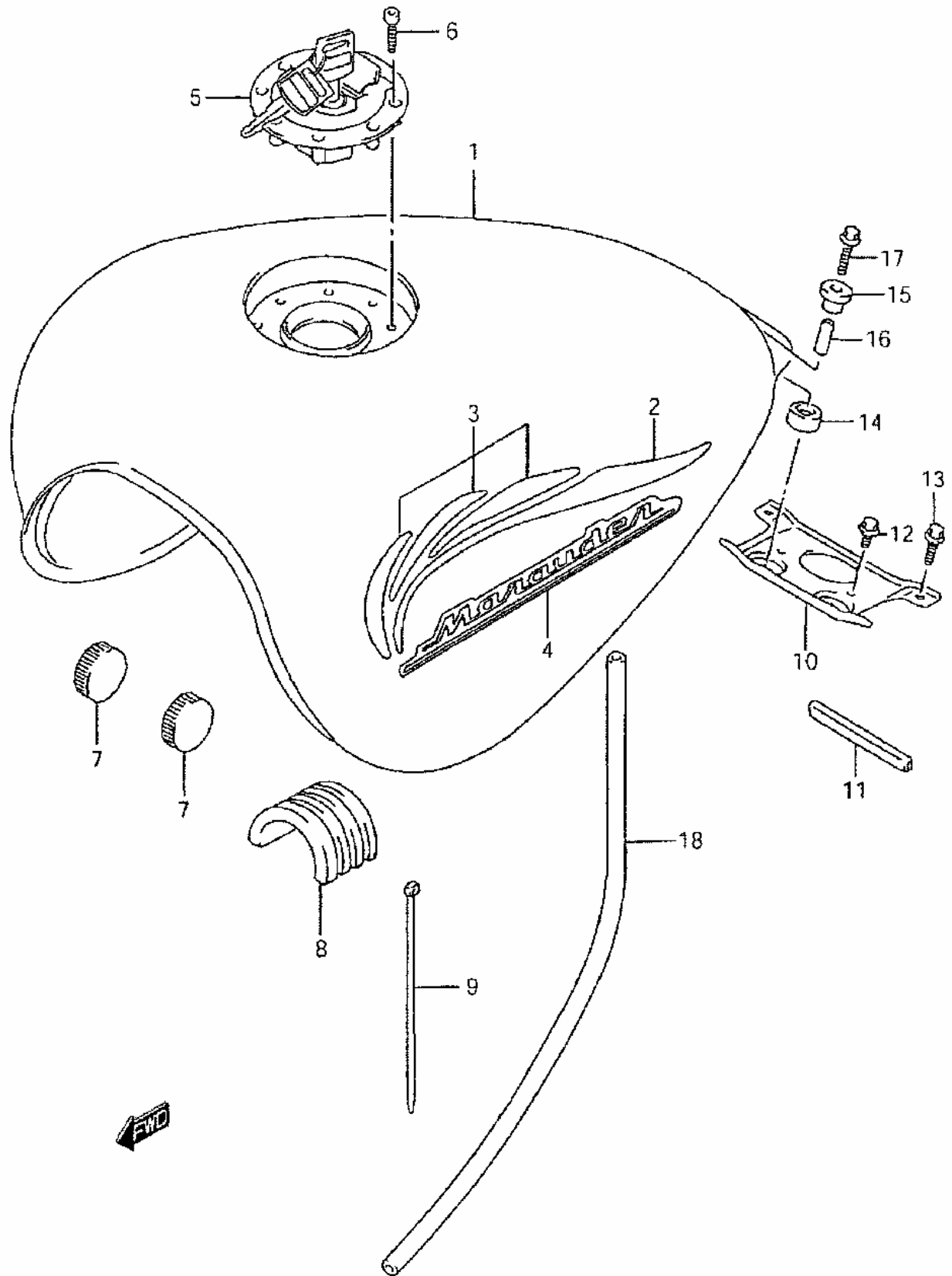
FUEL COCK

- (1) **44330-48E00**
FILTER UNIT,FUE
- (2) **44348-87420**
>> O RING,JOINT
- (3) **44300-38B13**
COCK ASSY,FUEL
- (4) **44353-12C01**
>> O RING,LEVER
- (5) **44306-38A00**
>> LEVER,FUEL COCK
- (6) **44307-38A00**
>> SCREW,COCK LEVE
- (7) **09128-06006**
Discontinued
- (8) **09168-06026**
GASKET
- (9-1) **07130-05123**
BOLT
- (9-2) **44361-48E00**
BOLT,FUEL COCK
- (9-3) **09106-05026**
BOLT
- (10) **08321-01053**
LOCK WASHER
- (11) **44421-48E00**
HOSE FUEL
- (12) **09401-11407**
CLIP
- (13) **09440-14047**
SPRING
- (14) **44431-48E00**
HOSE,FUEL FILTE
- (15) **09401-13417**
CLIP



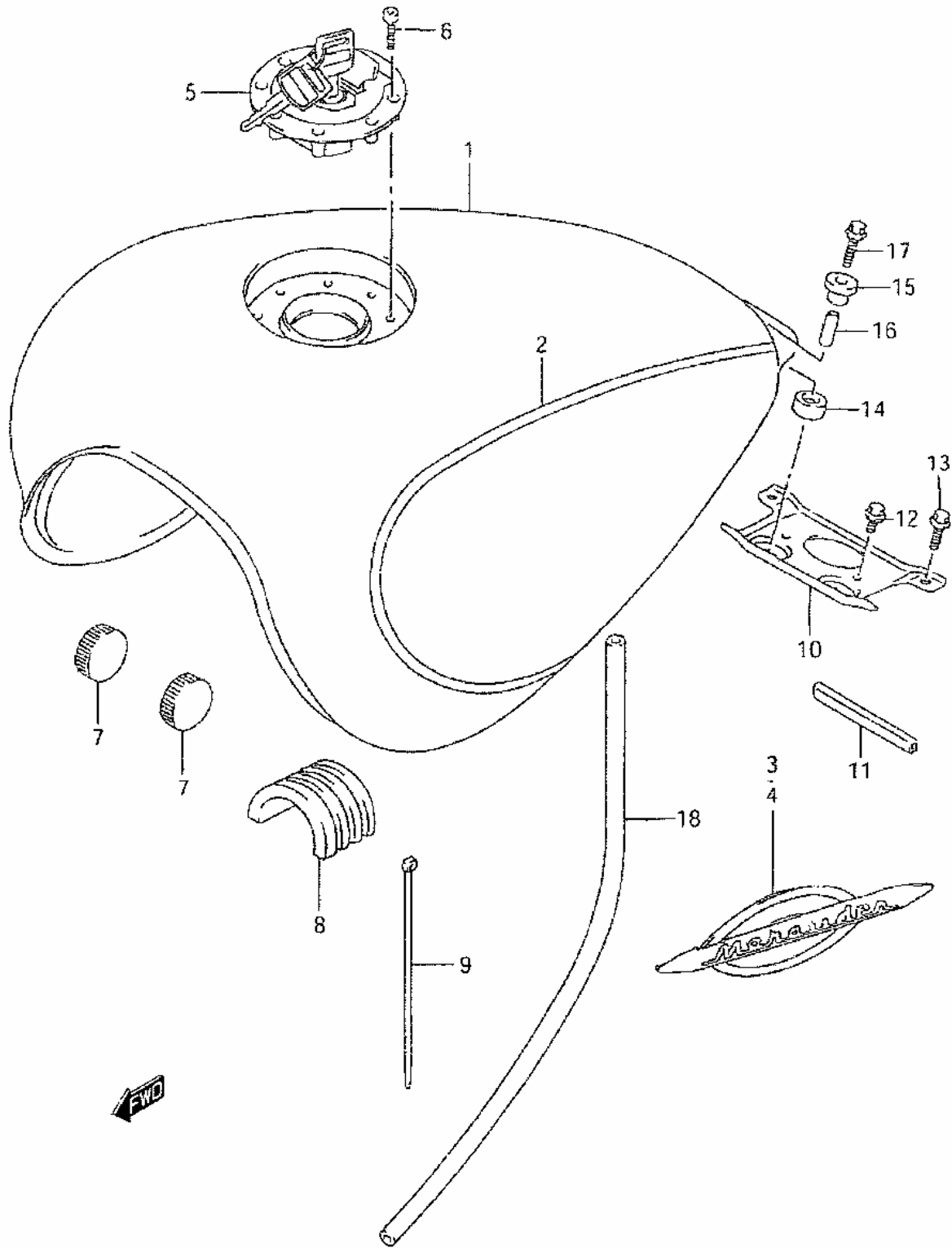
FUEL TANK K1

- (1-1) **49200-48ED0-33J**
TANK ASSY,FUEL(
- (1-2) **49200-48ED0-YC2**
TANK SET,FUEL
- (1-3) **49200-48ED0-YE2**
TANK SET,FUEL
- (1-4) **49200-48EE0-YC2**
TANK SET,FUEL
- (1-5) **49200-48EE0-YE2**
TANK SET,FUEL
- (2) **68110-48E51-OMT**
>> TAPE SET,FUEL T
- (3) **68120-48810**
>> EMBLEM SET,FUEL
- (4-1) **68121-48E30-J3J**
>> Discontinued
- (4-2) **68121-48E30-DZ8**
>> Discontinued
- (4-3) **68121-48E30-DZ9**
>> Discontinued
- (5-1) **44200-33850**
CAP SET,FUEL TA
- (5-2) **44200-33860**
CAP SET,FUEL TA
- (6) **09106-05017**
BOLT, L:20
- (7) **09329-10007**
CUSHION
- (8) **44541-13E00**
CUSHION,FUEL TA
- (9) **09407-25402**
CLAMP
- (10) **44550-48E01**
BRACKET,FUEL TA
- (11) **47512-47D00**
PROTECTOR
- (12) **01550-06103**
BOLT
- (13) **01550-06163**
BOLT
- (14) **44542-48E00**
CUSHION,FUEL TA
- (15) **09320-10022**
CUSHION FUEL TA
- (16) **09180-06067**
CHAIN GUIDE LOW
- (17) **01550-06353**
BOLT
- (18) **44423-48E01**
HOSE,FUEL TANK



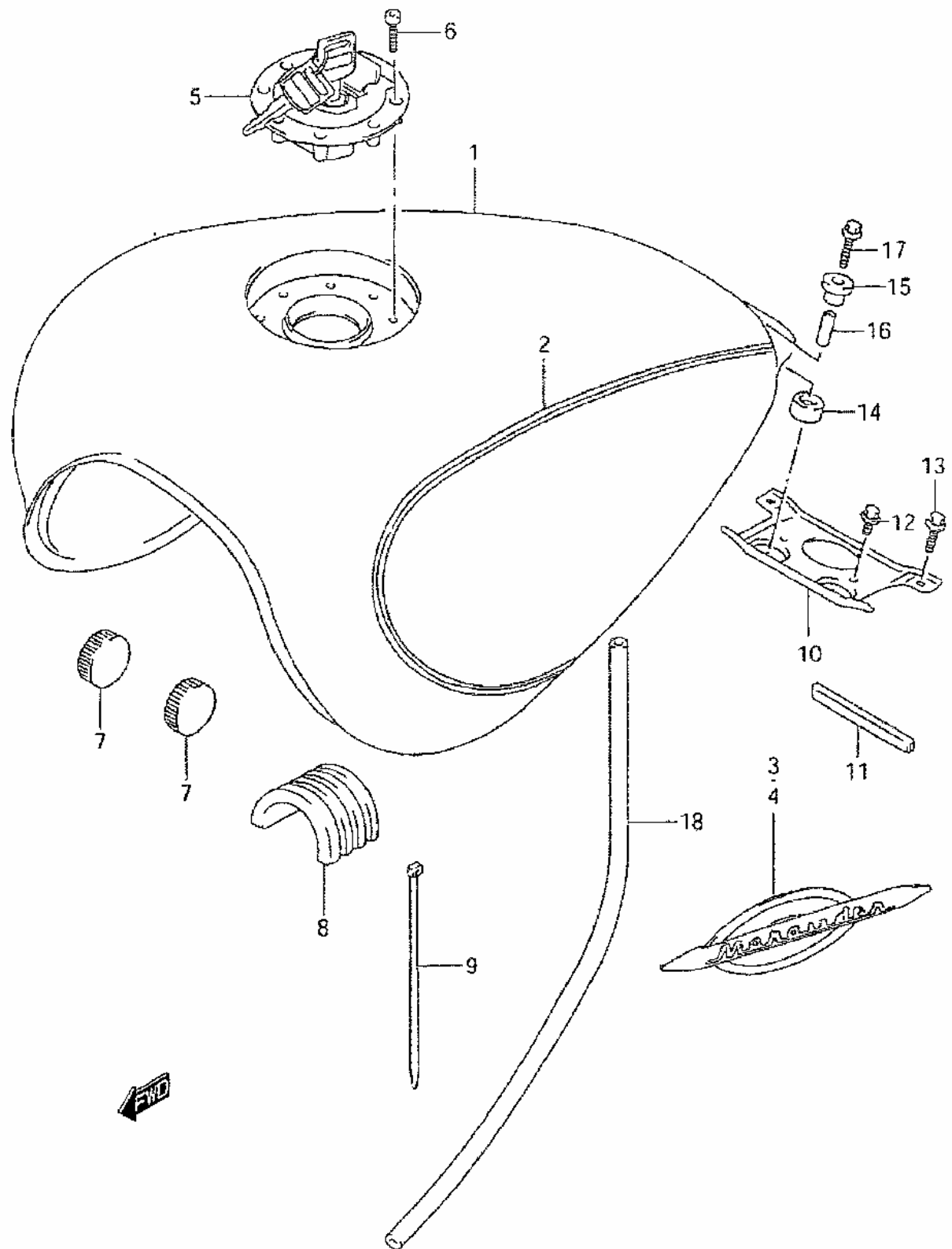
FUEL TANK V

- (1-1) **44100-48E00-E9N**
TANK ASSY,FUEL
- (1-2) **44100-48E00-G9Y**
TANK ASSY,FUEL
- (1-3) **44100-48E10-E9N**
TANK ASSY, FUEL
- (1-4) **44100-48E10-G9Y**
TANK ASSY, FUEL
- (2-1) **68110-48E01-H0G**
>> TAPE SET,FUEL T
- (2-2) **68110-48E01-H0H**
>> TAPE SET,FUEL T
- (3) **68111-48E20**
>> EMBLEM,FUEL TAN
- (4) **68121-48E20**
>> EMBLEM,FUEL TAN
- (5-1) **44200-33850**
CAP SET,FUEL TA
- (5-2) **44200-33860**
CAP SET,FUEL TA
- (6) **09106-05017**
BOLT, L:20
- (7) **09329-10007**
CUSHION
- (8) **44541-13E00**
CUSHION,FUEL TA
- (9) **09407-25402**
CLAMP
- (10) **44550-48E00**
Discontinued
- (11) **47512-47D00**
PROTECTOR
- (12) **01550-06123**
BOLT
- (13) **01550-06163**
BOLT
- (14) **44542-48E00**
CUSHION,FUEL TA
- (15) **09320-10022**
CUSHION FUEL TA
- (16) **09180-06067**
CHAIN GUIDE LOW
- (17) **01550-06353**
BOLT
- (18) **44423-48E00**
Discontinued



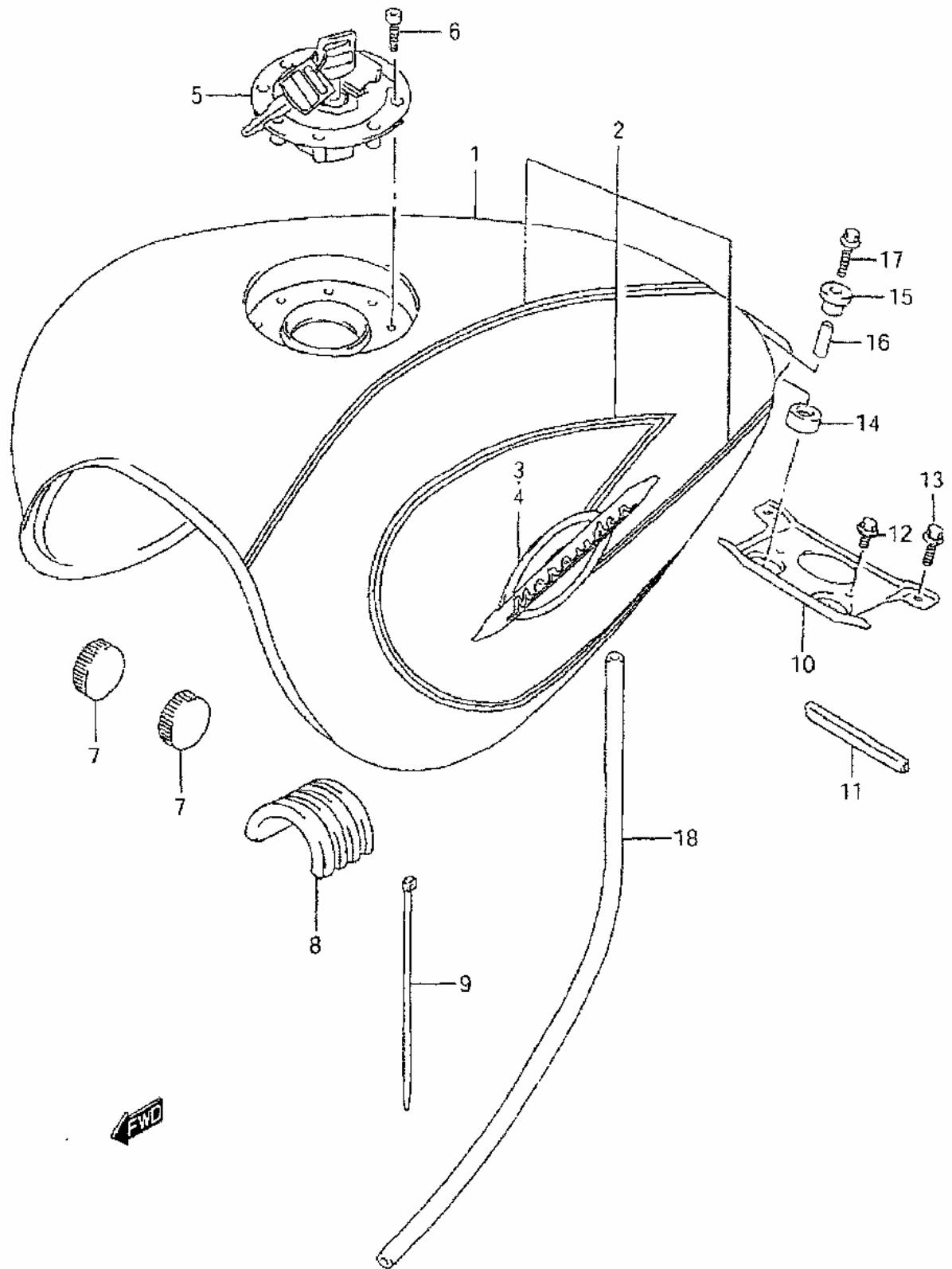
FUEL TANK W

- (1-1) **44100-48E60-J4M**
TANK ASSY,FUEL
- (1-2) **44100-48E60-J8K**
TANK ASSY,FUEL
- (1-3) **44100-48E70-J4M**
(CA)TANK ASSY,F
- (1-4) **44100-48E70-J8K**
(CA)TANK ASSY,
- (2-1) **68110-48E10-J6F**
>> TAPE SET,FUEL T
- (2-2) **68110-48E10-J9G**
>> TAPE SET,FUEL T
- (3) **68111-48E20**
>> EMBLEM,FUEL TAN
- (4) **68121-48E20**
>> EMBLEM,FUEL TAN
- (5-1) **44200-33850**
CAP SET,FUEL TA
- (5-2) **44200-33860**
CAP SET,FUEL TA
- (6) **09106-05017**
BOLT, L:20
- (7) **09329-10007**
CUSHION
- (8) **44541-13E00**
CUSHION,FUEL TA
- (9) **09407-25402**
CLAMP
- (10) **44550-48E01**
BRACKET,FUEL TA
- (11) **47512-47D00**
PROTECTOR
- (12) **01550-06123**
BOLT
- (13) **01550-06163**
BOLT
- (14) **44542-48E00**
CUSHION,FUEL TA
- (15) **09320-10022**
CUSHION FUEL TA
- (16) **09180-06067**
CHAIN GUIDE LOW
- (17) **01550-06353**
BOLT
- (18) **44423-48E00**
Discontinued



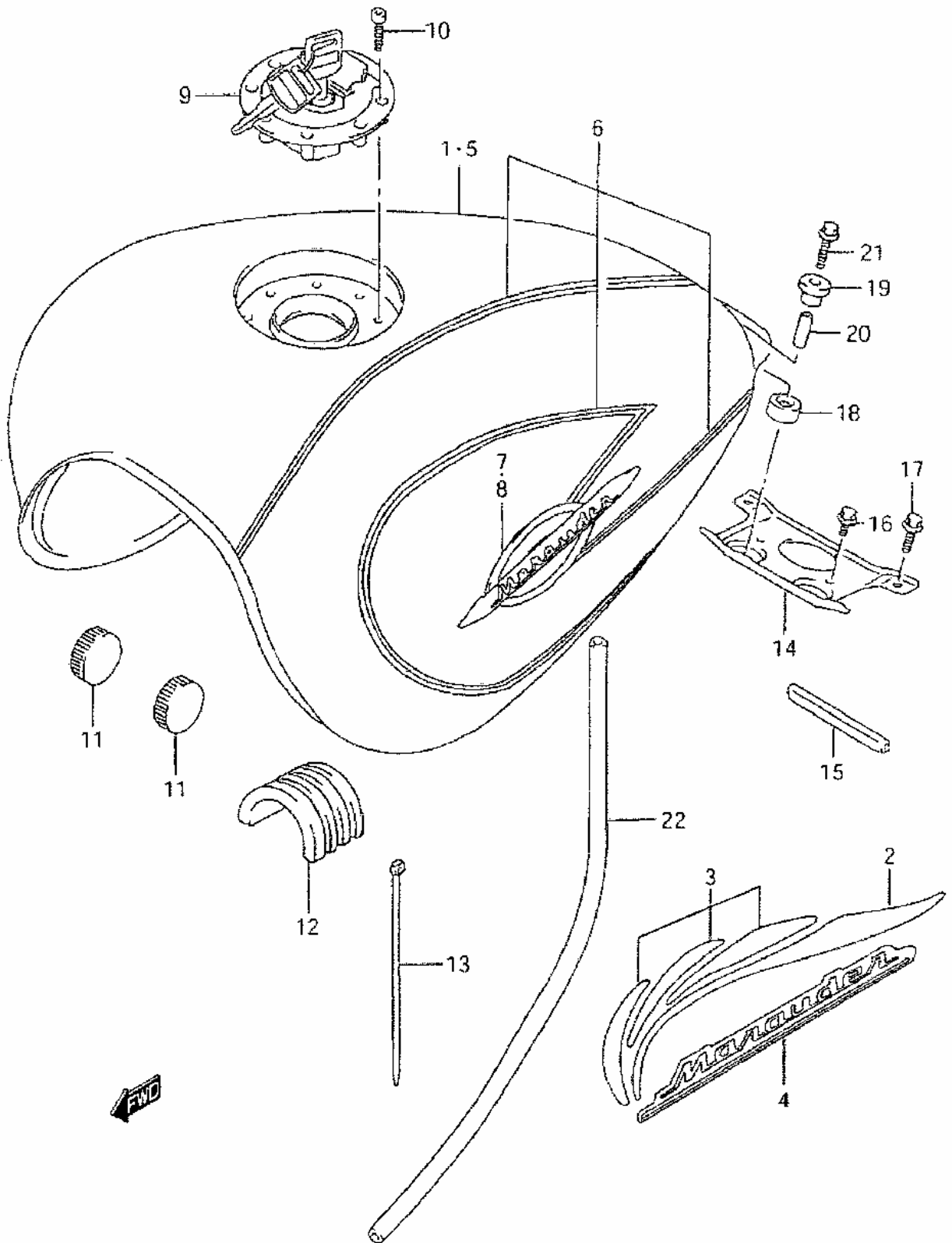
FUEL TANK X

- (1-1) **44100-48E80-E9N**
TANK ASSY,FUEL
- (1-2) **44100-48E80-G7U**
TANK ASSY,FUEL
- (1-3) **44100-48E90-E9N**
(CA)TANK ASSY,F
- (1-4) **44100-48E90-G7U**
(CA)TANK ASSY,F
- (2-1) **68110-48E20-H0G**
>> Discontinued
- (2-2) **68110-48E20-M1Z**
>> Discontinued
- (3) **68111-48E20**
>> EMBLEM,FUEL TAN
- (4) **68121-48E20**
>> EMBLEM,FUEL TAN
- (5-1) **44200-33850**
CAP SET,FUEL TA
- (5-2) **44200-33860**
CAP SET,FUEL TA
- (6) **09106-05017**
BOLT, L:20
- (7) **09329-10007**
CUSHION
- (8) **44541-13E00**
CUSHION,FUEL TA
- (9) **09407-25402**
CLAMP
- (10) **44550-48E01**
BRACKET,FUEL TA
- (11) **47512-47D00**
PROTECTOR
- (12) **01550-06123**
BOLT
- (13) **01550-06163**
BOLT
- (14) **44542-48E00**
CUSHION,FUEL TA
- (15) **09320-10022**
CUSHION FUEL TA
- (16) **09180-06067**
CHAIN GUIDE LOW
- (17) **01550-06353**
BOLT
- (18) **44423-48E00**
Discontinued



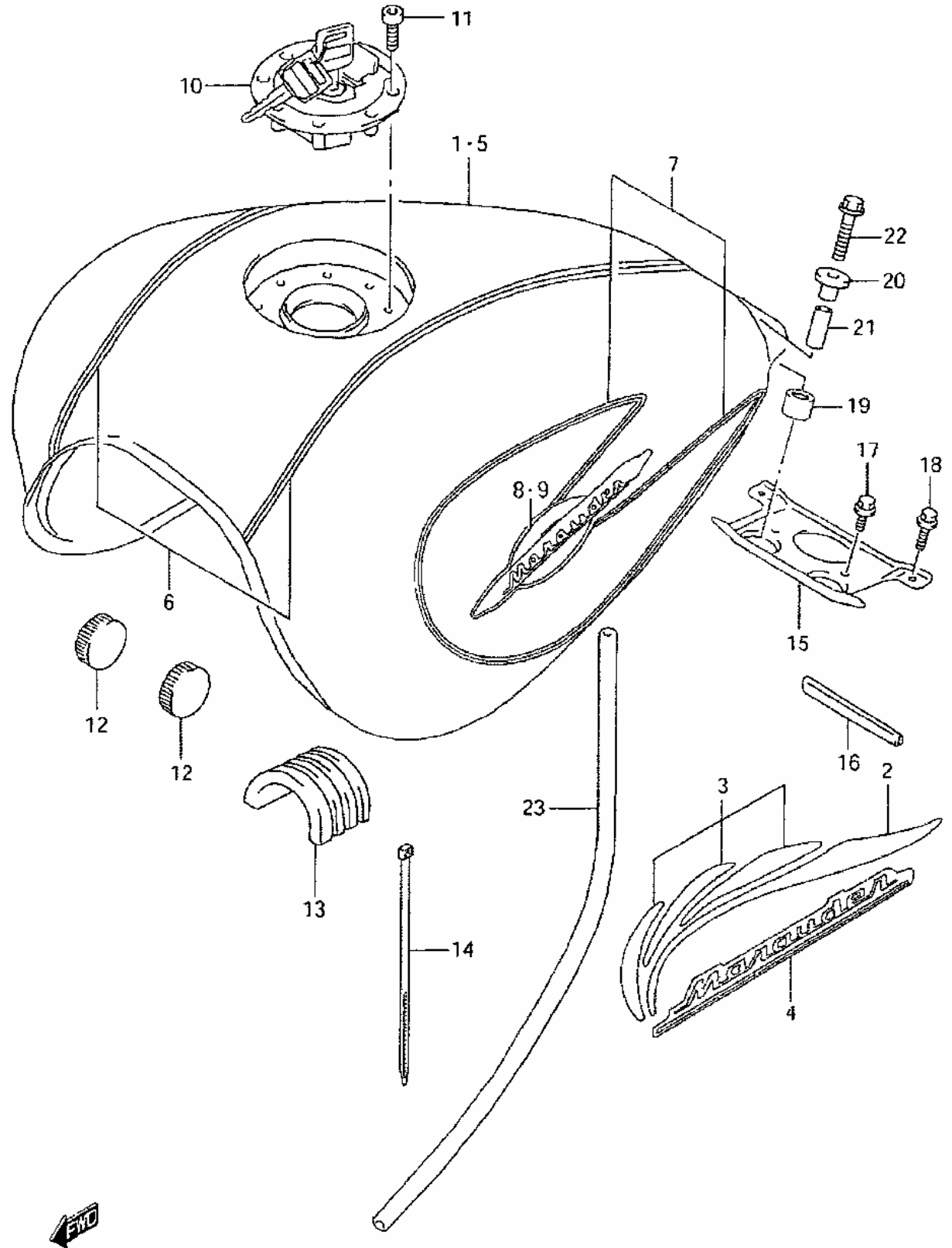
FUEL TANK Y FNO103782

- (1-1) **49200-48ED0-33J**
TANK ASSY, FUEL(
- (1-2) **49200-48EE0-33J**
TANK ASSY, FUEL(
- (2) **68110-48E50-0MT**
>> Discontinued
- (3) **68120-48E00**
>> Discontinued
- (4) **68121-48E30-J3J**
>> Discontinued
- (5-1) **49200-48EB0-BP8**
Discontinued
- (5-2) **49200-48EB0-M9U**
UNAVAILABLE
- (5-3) **49200-48EC0-BP8**
Discontinued
- (6-1) **68110-48E40-BT9**
>> Discontinued
- (6-2) **68110-48E40-BT8**
>> UNAVAILABLE
- (7) **68111-48E20**
>> EMBLEM, FUEL TAN
- (8) **68121-48E20**
>> EMBLEM, FUEL TAN
- (9-1) **44200-33850**
CAP SET, FUEL TA
- (9-2) **44200-33860**
CAP SET, FUEL TA
- (10) **09106-05017**
BOLT, L:20
- (11) **09329-10007**
CUSHION
- (12) **44541-13E00**
CUSHION, FUEL TA
- (13) **09407-25402**
CLAMP
- (14) **44550-48E01**
BRACKET, FUEL TA
- (15) **47512-47D00**
PROTECTOR
- (16) **01550-06123**
BOLT
- (17) **01550-06163**
BOLT
- (18) **44542-48E00**
CUSHION, FUEL TA
- (19) **09320-10022**
CUSHION FUEL TA
- (20) **09180-06067**
CHAIN GUIDE LOW
- (21) **01550-06353**
BOLT
- (22) **44423-48E01**
HOSE, FUEL TANK



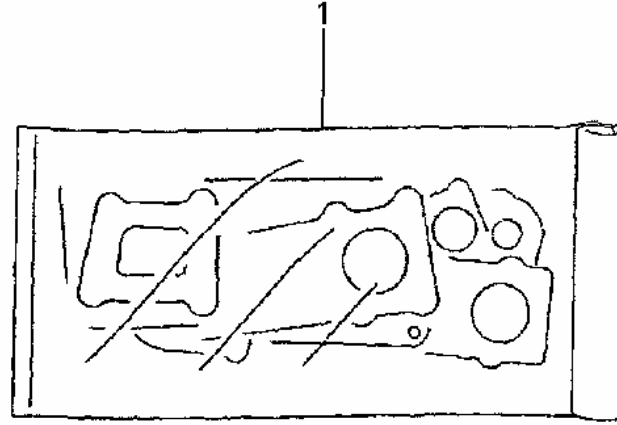
FUEL TANK Y FNO103783

- (1-1) **49200-48ED0-33J**
TANK ASSY,FUEL(
- (1-2) **49200-48EE0-33J**
TANK ASSY,FUEL(
- (2) **68110-48E50-0MT**
>> Discontinued
- (3) **68120-48E00**
>> Discontinued
- (4) **68121-48E30-J3J**
>> Discontinued
- (5-1) **49200-48EG0-BP8**
TANK SET,FUEL
- (5-2) **49200-48EG0-M9U**
UNAVAILABLE
- (5-3) **49200-48EH0-BP8**
TANK SET,FUEL
- (6-1) **68110-48E60-BU3**
>> TAPE SET,FUEL T
- (6-2) **68110-48E60-BU2**
>> UNAVAILABLE
- (7-1) **68110-48E70-BT9**
>> TAPE SET, SIDE
- (7-2) **68110-48E70-BT8**
>> UNAVAILABLE
- (8) **68111-48E20**
>> EMBLEM,FUEL TAN
- (9) **68121-48E20**
>> EMBLEM,FUEL TAN
- (10-1) **44200-33850**
CAP SET,FUEL TA
- (10-2) **44200-33860**
CAP SET,FUEL TA
- (11) **09106-05017**
BOLT, L:20
- (12) **09329-10007**
CUSHION
- (13) **44541-13E00**
CUSHION,FUEL TA
- (14) **09407-25402**
CLAMP
- (15) **44550-48E01**
BRACKET,FUEL TA
- (16) **47512-47D00**
PROTECTOR
- (17) **01550-06123**
BOLT
- (18) **01550-06163**
BOLT
- (19) **44542-48E00**
CUSHION,FUEL TA
- (20) **09320-10022**
CUSHION FUEL TA
- (21) **09180-06067**
CHAIN GUIDE LOW
- (22) **01550-06353**
BOLT
- (23) **44423-48E01**
HOSE,FUEL TANK



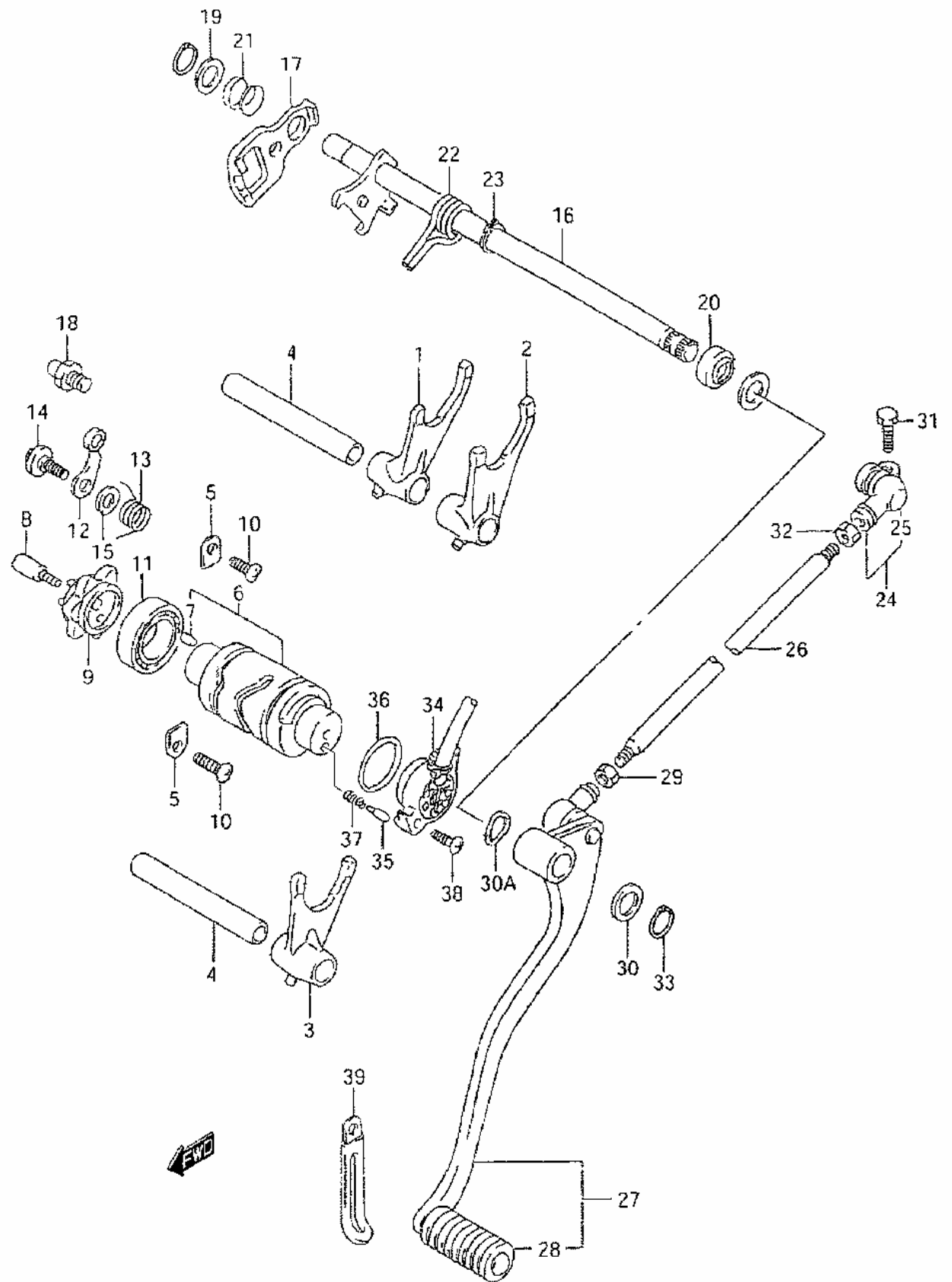
GASKET SET

- (1) **11401-48840**
GASKET SET
- (2) **11123-38A00**
>> GASKET,CYLINDER
- (3) **11141-45C00**
>> GASKET,CYL HD F
- (4) **11142-45C00**
>> GASKET,CYL HD R
- (5) **11177-38A00**
>> GASKET,INSPECTI
- (6) **11182-38A00**
>> GASKET,WATER OU
- (7) **11187-38A02-H17**
>> GASKET,BREATHER
- (8) **11241-45C20**
>> GASKET,CYLINDER
- (9) **11246-38A00**
>> O-RING,OUTLET W
- (10) **11247-38A00**
>> O-RING,INLET WA
- (11) **11482-48E01**
>> GASKET,CLUTCH C
- (12) **11483-48E01**
>> GASKET,CLUTCH C
- (13) **14181-45C00**
>> GASKET,EXHAUST
- (14) **09280-40003**
>> Discontinued



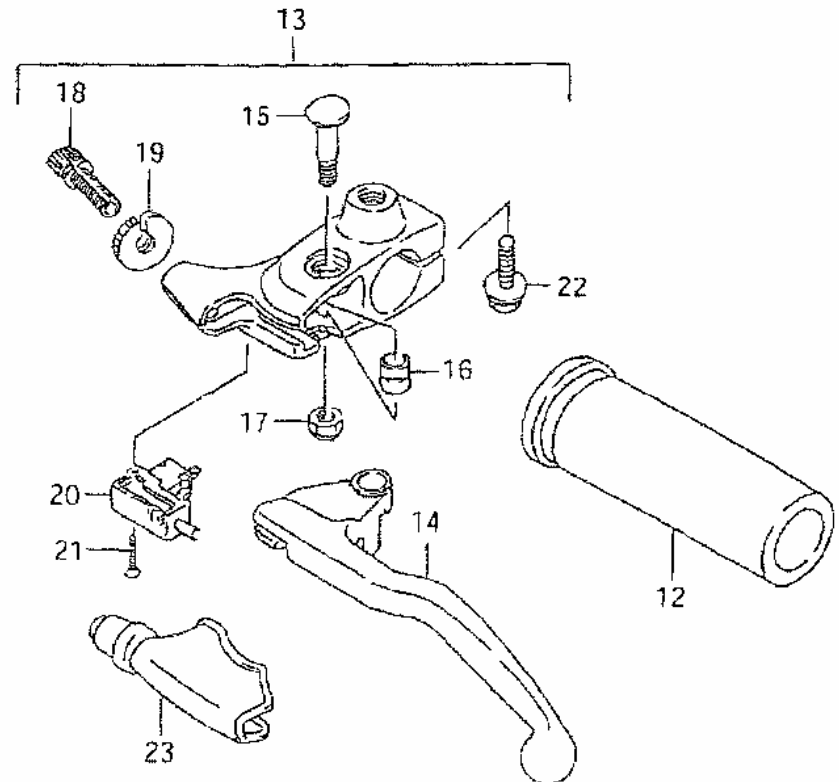
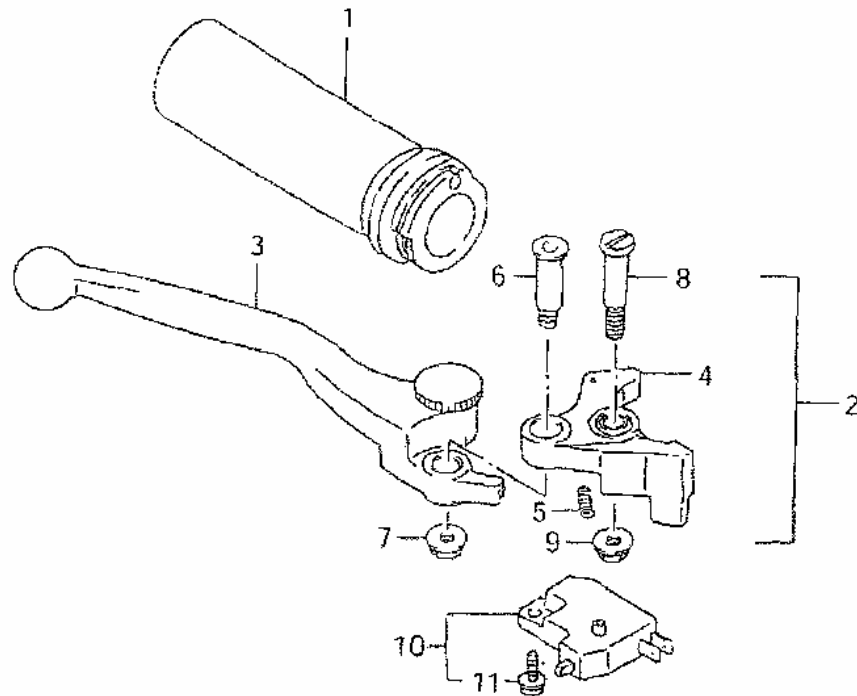
GEAR SHIFTING

(1)	25211-44B00	FORK,GEAR SHIFT
(2)	25221-44B00	FORK,GEAR SHIFT
(3)	25231-48E00	FORK,GEAR SHIFT
(4)	25411-44B00	SHAFT,GEAR SHIF
(5)	24741-21A00	RETAINER,BEARIN
(6)	25310-48E00	CAM COMP,GEAR S
(7)	04221-04089	>> PIN 4X8
(8)	25312-12C00	PIN,SHIFT CAM D
(9)	25381-13E10	PLATE,GEAR SHIF
(10)	02112-06123	SCREW 6X12
(11)	08113-69050	B1 25X42X9 BEAR
(12)	25350-26D01	STOPPER,GEAR SH
(13)	25355-13E10	SPRING,SHIFT CA
(14)	09111-06041	BOLT
(15)	08211-06141	WASHER GEAR SHI
(16-1)	25510-48E00	Discontinued
(16-2)	25510-48E01	SHAFT,GEAR SHIF
(17-1)	25512-13E10	Discontinued
(17-2)	25512-13E11	PLATE,GEAR SHIF
(18-1)	25671-01000	Discontinued
(18-2)	25671-01011	STOPPER,GEAR SH
(19)	09181-14167	WASHER,GEAR SHI
(20)	09283-14006	SEAL,OIL,13X22X
(21)	09440-17009	SPRING
(22)	09444-20001	SPRING
(23)	08331-31146	CIRCLIP
(24)	25520-09301	ARM GEAR SHIFT
(25)	25526-47000	>> COVER,DUST
(26)	25525-48E00	ROD,GEAR SHIFT
(27)	25600-48E00	LEVER ASSY,GEAR
(28)	25652-20C00	>> RUBBER,GEAR SHI
(29-1)	09140-06011	GR SHFT LINK RO
(29-2)	09140-06025	NUT
(30)	09160-12011	SEAL WASHER
(30A)	09164-12019	WASHER
(31)	01547-06203	BOLT6X20
(32)	08310-00067	NUT
(33)	08331-31126	CIRCLIP
(34)	37720-48E20	BASE ASSY NEUT
(35)	09209-05011	K S PAWL ROLLER
(36)	09280-26007	O RING
(37)	09440-04010	K S PAWL SPRING
(38)	02112-05163	SCREW M5X0.8X16
(39-1)	09404-08417	Discontinued
(39-2)	09404-08205	UNAVAILABLE



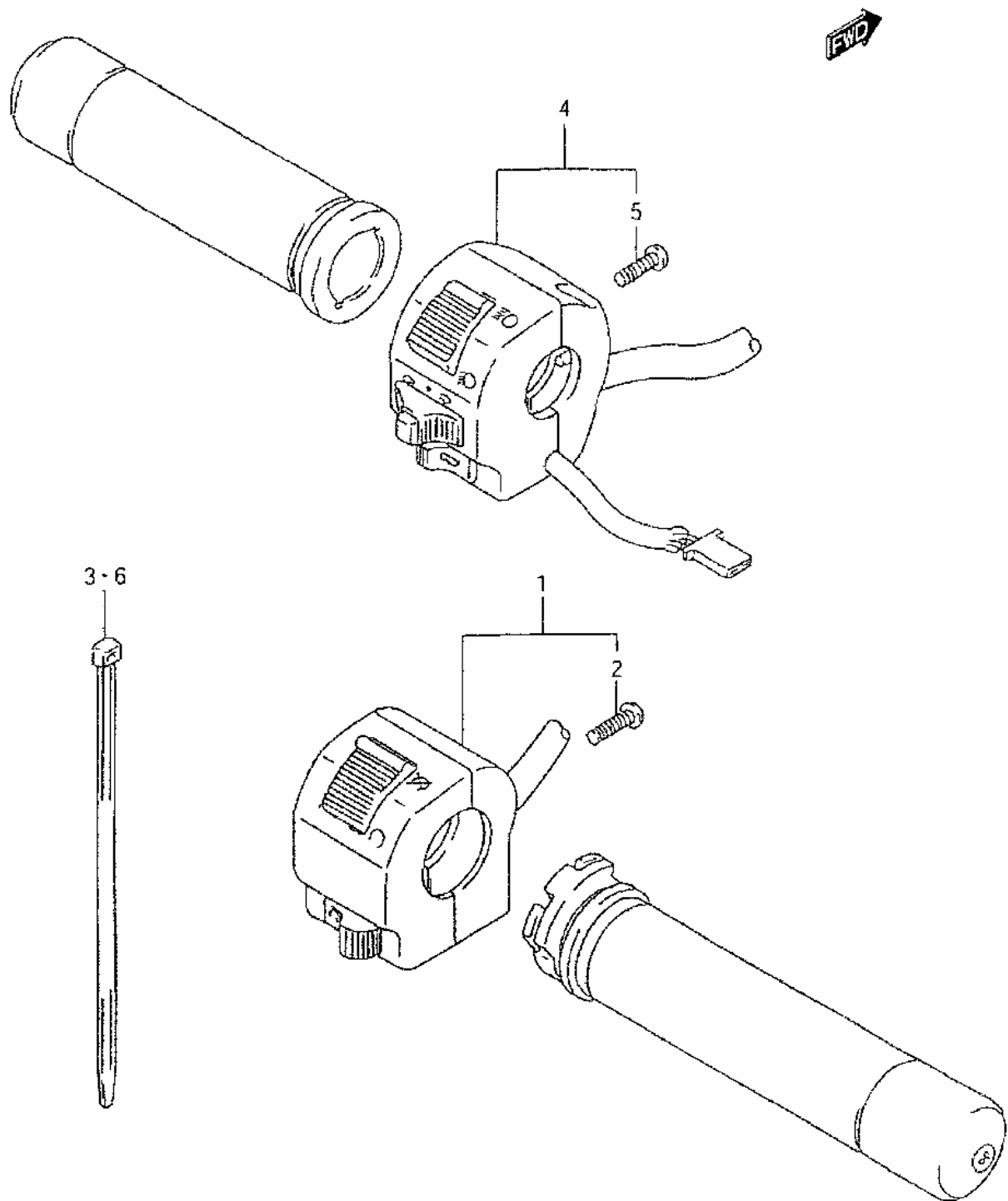
HANDLE LEVER

- (1) **57110-26D00**
GRIP COMP, THROT
- (2-1) **57300-48E00**
Discontinued
- (2-2) **57300-32C10**
LEVER ASSY, BRAK
- (3) **57420-32C00**
>> LEVER, ADJUST
- (4-1) **57430-32C00**
>> Discontinued
- (4-2) **57430-32C10**
>> KNOCKER
- (5) **57438-32C00**
>>> SPRING
- (6) **57437-32C01**
>> BOLT, LEVER
- (7) **08319-31063**
>> NUT, LICENSE PLA
- (8-1) **57431-48E00**
>> BOLT, LEVER PIVO
- (8-2) **57431-17C00**
>> BOLT, LEVER
- (9) **08316-10067**
>> NUT
- (10) **57460-17C00**
Discontinued
- (11) **57465-17C00**
>> SCREW
- (12) **57210-26D00**
GRIP COMP, L
- (13) **57500-24B01**
LEVER ASSY, CLUT
- (14) **57620-24B01**
>> LEVER, CLUTCH
- (15) **57531-24B00**
>> BOLT, CLUTCH LEV
- (16) **57623-24B00**
>> SPACER, CLUTCH L
- (17) **08319-21068**
>> U NUT
- (18) **57441-45C00**
>> Discontinued
- (19) **57442-45C00**
>> Discontinued
- (20) **57560-05A00**
>> SWITCH ASSY, CLU
- (21) **02112-03205**
>> SCREW 3 X 20
- (22) **07130-06207**
>> BOLT
- (23) **57661-48E00**
COVER, CLUTCH LE



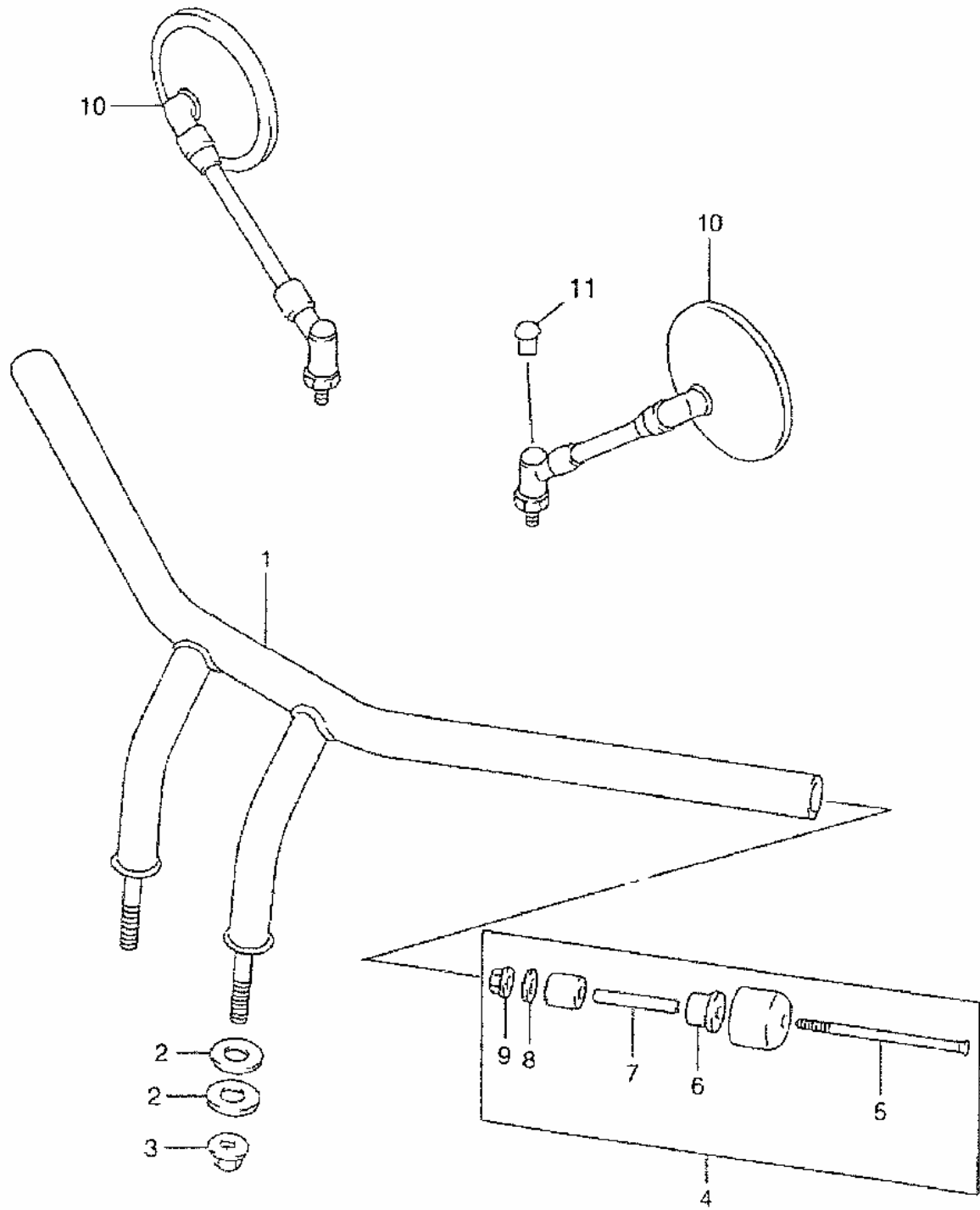
HANDLE SWITCH

- (1) [37200-48E30](#)
SWITCH ASSY,HAN
- (2) [09125-05048](#)
>> Discontinued
- (3) [09407-14407](#)
CLAMP
- (4) [37400-48E30](#)
SWITCH ASSY,HAN
- (5) [09125-05048](#)
>> Discontinued
- (6) [09407-14407](#)
CLAMP



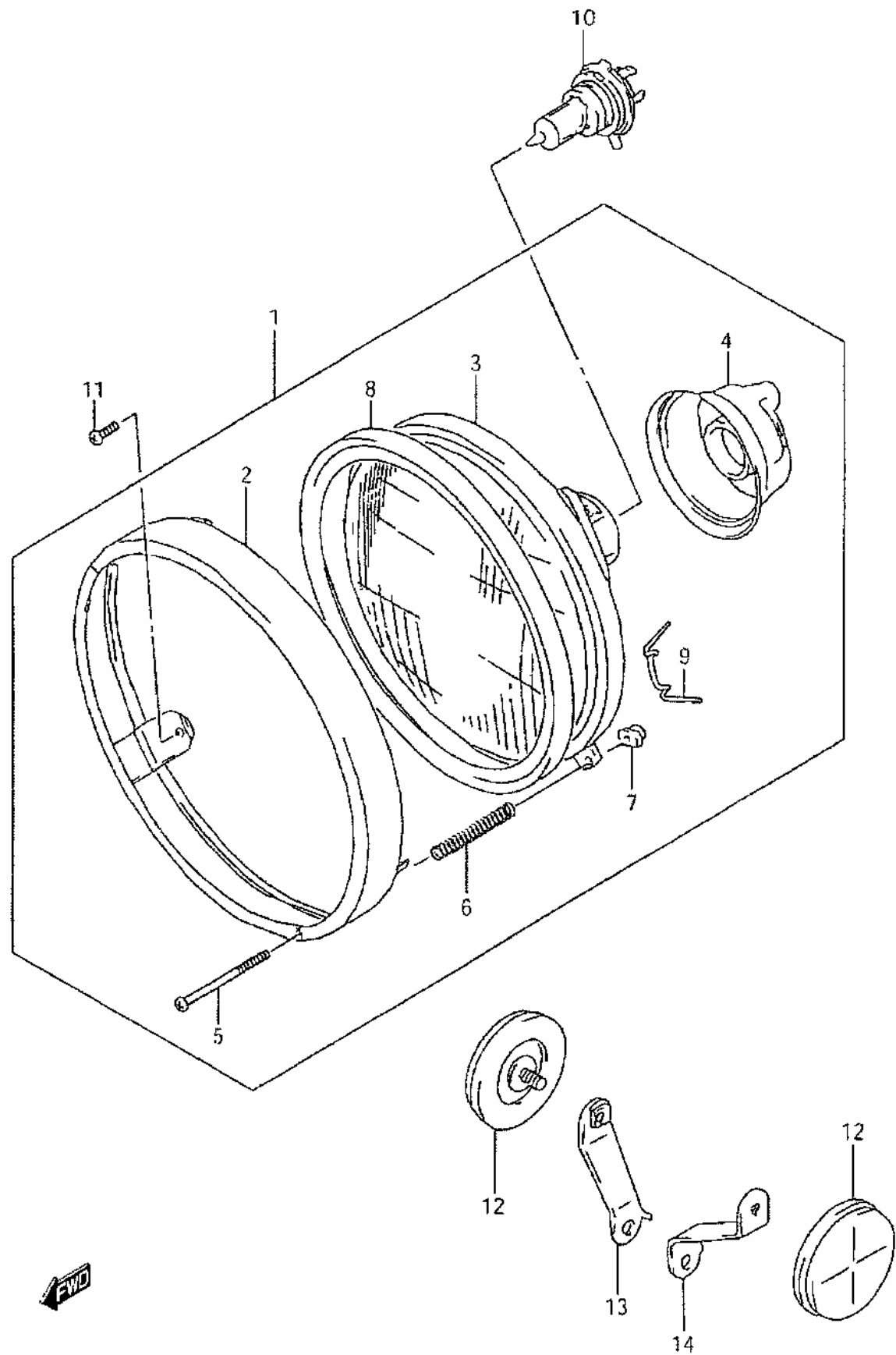
HANDLEBAR

- (1) **56110-48E00**
HANDLEBAR COMP
- (2) **56240-48E01**
CUSHION,HANDLEB
- (3) **08319-31128**
NUT 12MM
- (4) **56200-48831**
BALANCER SET HA
- (5) **09127-06019**
>> SCREW,6X110
- (6) **56272-26D01**
>> EXPANDER,HANDLE
- (7) **56276-17D00**
>> SPACER,EXPANDER
- (8-1) **09160-06013**
>> WASHER
- (8-2) **09160-06121**
>> WASHER,6.5X18X2
- (9) **09159-06024**
>> NUT,HANDLE BALA
- (10) **56500-38AD0**
MIRROR ASSY
- (11) **56524-28600**
CAP, MIRROR BAS



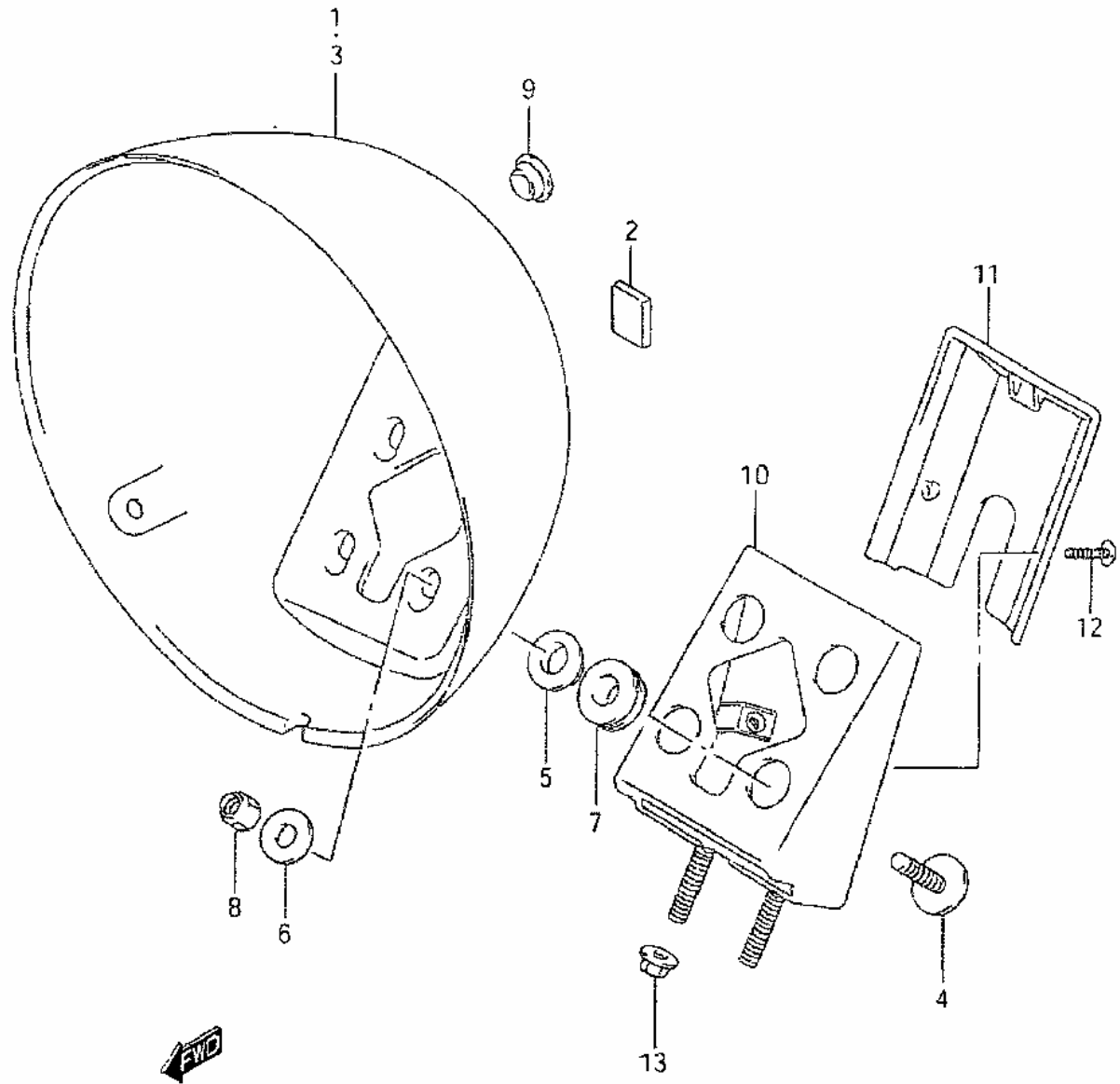
HEADLAMP

- (1) 35100-48E00-999
HEADLAMP ASSY
- (2) 35111-48E00
>> RIM ASSY
- (3) 35121-48E00
>> LAMP UNIT
- (4) 35173-20A01
>>> COVER SOCKET
- (5) 35151-45900
>> SCREW HEAD LAMP
- (6) 35154-31900
>> SPRING
- (7) 35152-15611
>> BEAM ADJ NUT
- (8) 35127-10D20
>> RING
- (9) 35128-05510
>> SPRING
- (10) 09471-12060
BULB(HALOGEN)*
- (11-1) 09127-05013
SCREW
- (11-2) 09126-05003
SCREW
- (12) 35950-14A00
REFLECTOR,REFLE
- (13) 35956-48E00
BRACKET,FRONT S
- (14) 35957-48E00
BRACKET,FRONT S



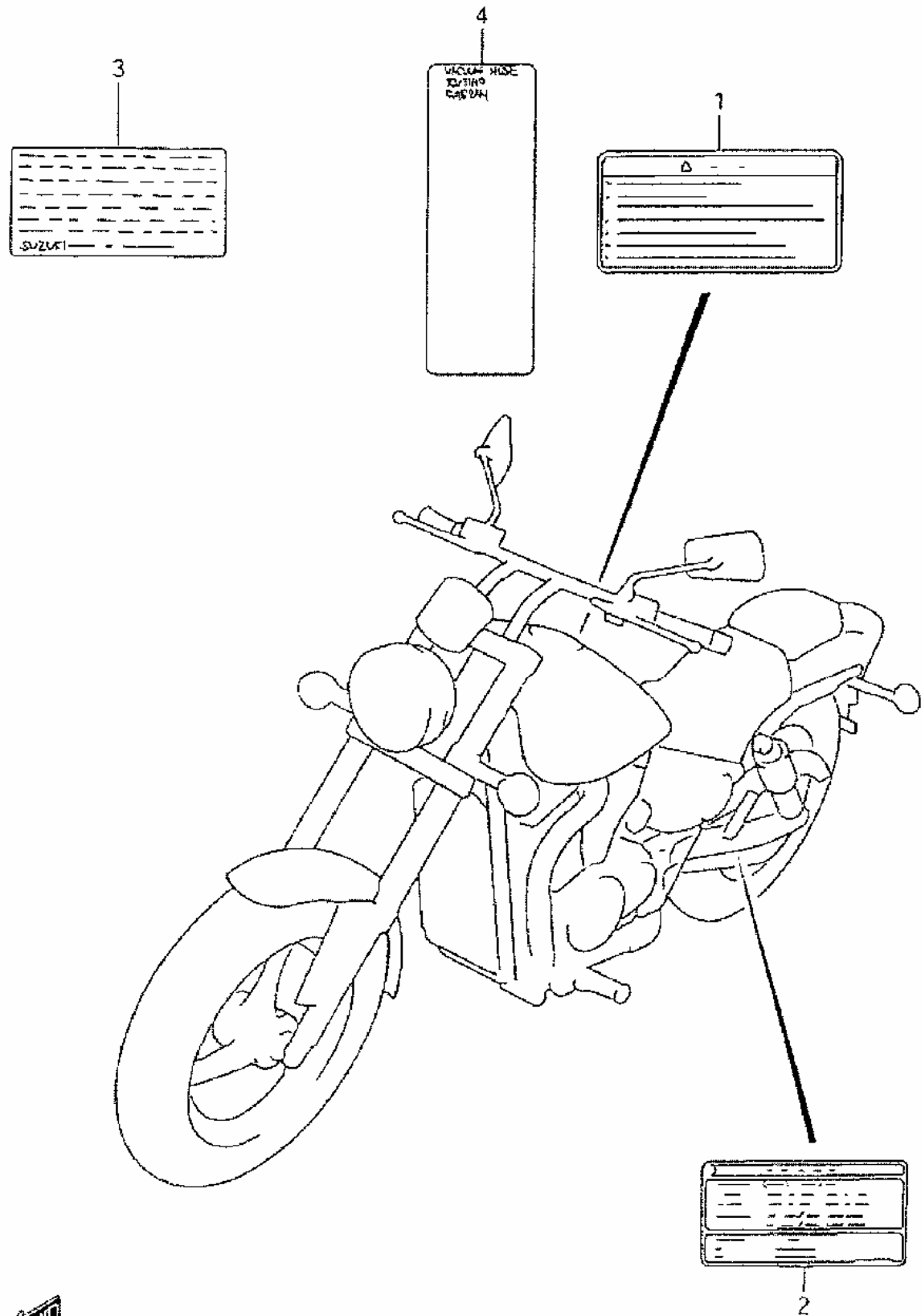
HEADLAMP HOUSING

- | | |
|--------|---------------------------------------|
| (1) | 51810-48E10
Discontinued |
| (2) | 51812-48E00
>> DISCONTINUED |
| (3) | 51811-48E02
HOUSING,HEADLAM |
| (4) | 09116-06025
BOLT |
| (5) | 09169-06063
WASHER |
| (6-1) | 09160-06027
Discontinued |
| (6-2) | 09160-06138
WASHER,6.5X22X2 |
| (7) | 09320-08051
CUSHION |
| (8) | 08319-21063
NUT |
| (9-1) | 51816-48E00
CAP,HEAD LAMP H |
| (9-2) | 51816-48E01
CAP,HEADLAMP HO |
| (10-1) | 51850-48E00
Discontinued |
| (10-2) | 51850-48E01
BRACKET, HEADLA |
| (11) | 51815-48E00
COVER,HEADLAMP |
| (12) | 02142-04107
SCREW 4X10 CROS |
| (13) | 08319-31063
NUT,LICENSE PLA |



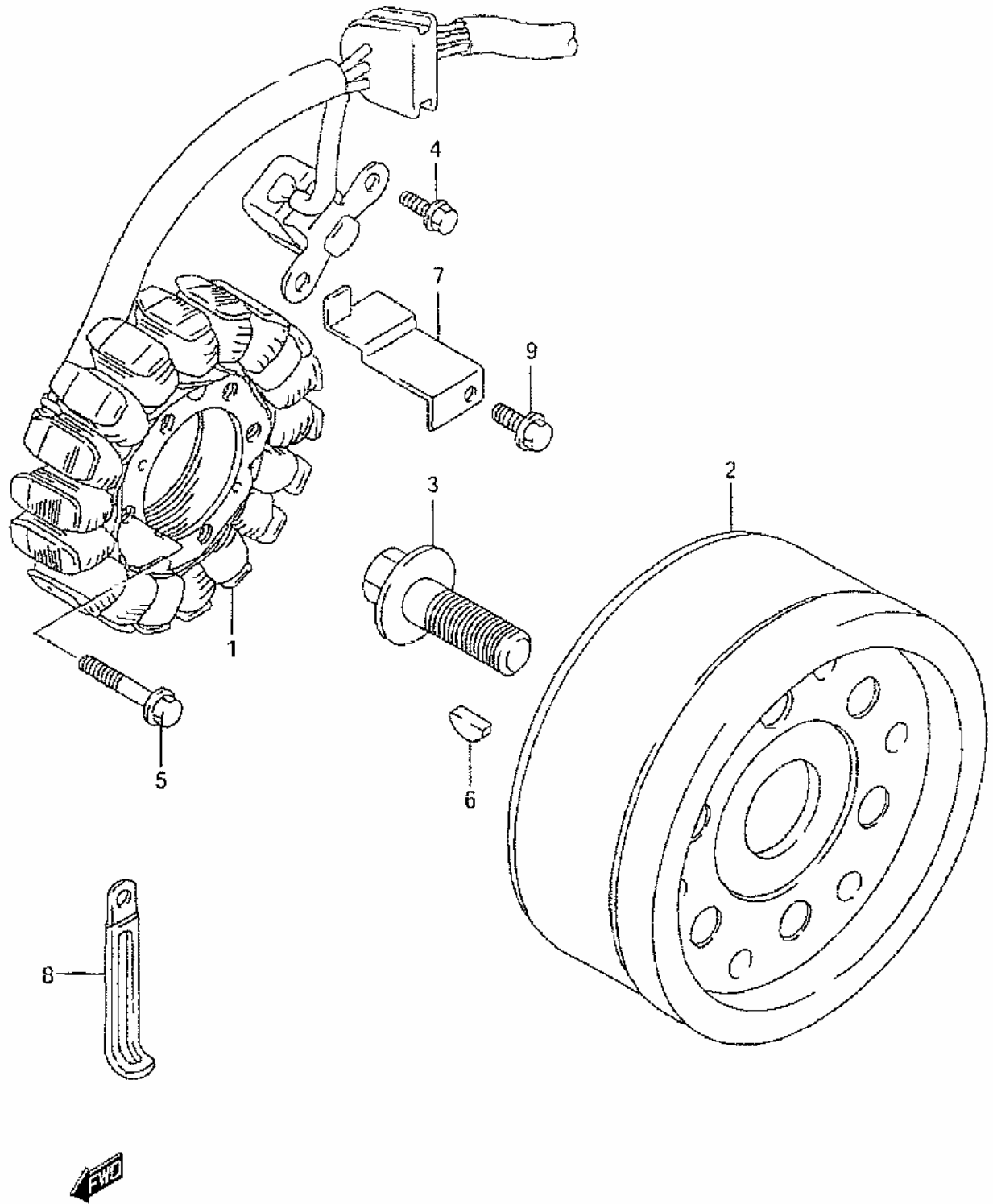
LABEL

(1-1)	68319-33E01	LABEL,GENERAL W
(1-2)	68319-29F00	LABEL,GENERAL W
(1-3)	68319-33E11	LABEL,GENERL WA
(1-4)	68319-29F10	UNAVAILABLE
(2-1)	68332-48E10	LABEL,TIRE AIR
(2-2)	68332-48E50	LABEL,TIRE INFO
(2-3)	68332-48E40	UNAVAILABLE
(3)	68353-26E02	LABEL,MANUAL NO
(4-1)	68387-38B10-G9Z	Discontinued
(4-2)	68387-38B10-H0A	LABEL,VACUUM HO
(4-3)	68387-48E00	LABEL, HOSE ROU
(4-4)	68387-48E20	LABEL,ROUTING
(5-1)	99011-48E50-03A	MANUAL,OWNER'S
(5-2)	99011-48E51-03A	MANUAL,OWNER'S
(5-3)	99011-48E52-03A	MANUAL,OWNER'S
(5-4)	99011-48E53-03A	MANUAL,OWNER'S
(5-5)	99011-48E54-03A	MANUAL,OWNER'S
(5-6)	99011-48E55-03A	MANUAL,OWNER'S
(5-7)	99011-48E56-03A	MANUAL,OWNER'S
(5-8)	99011-48E50-042	MANUAL, OWNERS
(5-9)	99011-48E51-042	UNAVAILABLE
(5-10)	99011-48E52-042	UNAVAILABLE
(5-11)	99011-48E53-042	UNAVAILABLE
(5-12)	99011-48E54-042	UNAVAILABLE
(5-13)	99011-48E55-042	UNAVAILABLE
(5-14)	99011-48E56-042	UNAVAILABLE



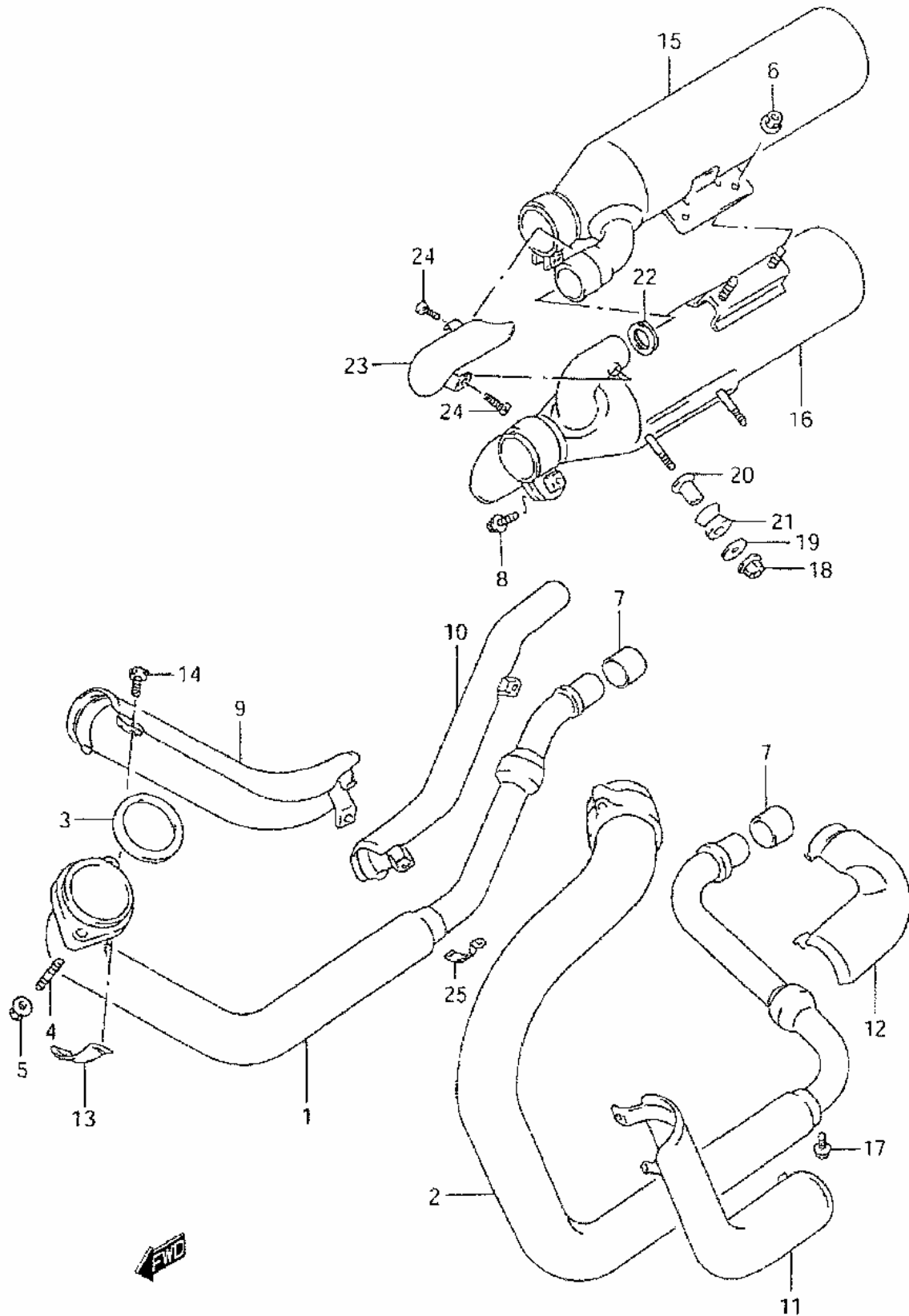
MAGNETO

- | | | |
|-------|--------------------|-----------------|
| (1) | 32101-48E00 | STATOR ASSY,AC |
| (2-1) | 32102-48E00 | Discontinued |
| (2-2) | 32102-48E01 | ROTOR ASSY,MAGN |
| (3) | 09103-14001 | BOLT,GENERATOR |
| (4) | 01500-05103 | BOLT |
| (5) | 01547-06303 | BOLT |
| (6) | 09420-04008 | KEY |
| (7) | 32371-45C00 | CLAMP,MAGNETO L |
| (8) | 09404-06432 | CLAMP |
| (9) | 01547-06103 | BOLT |



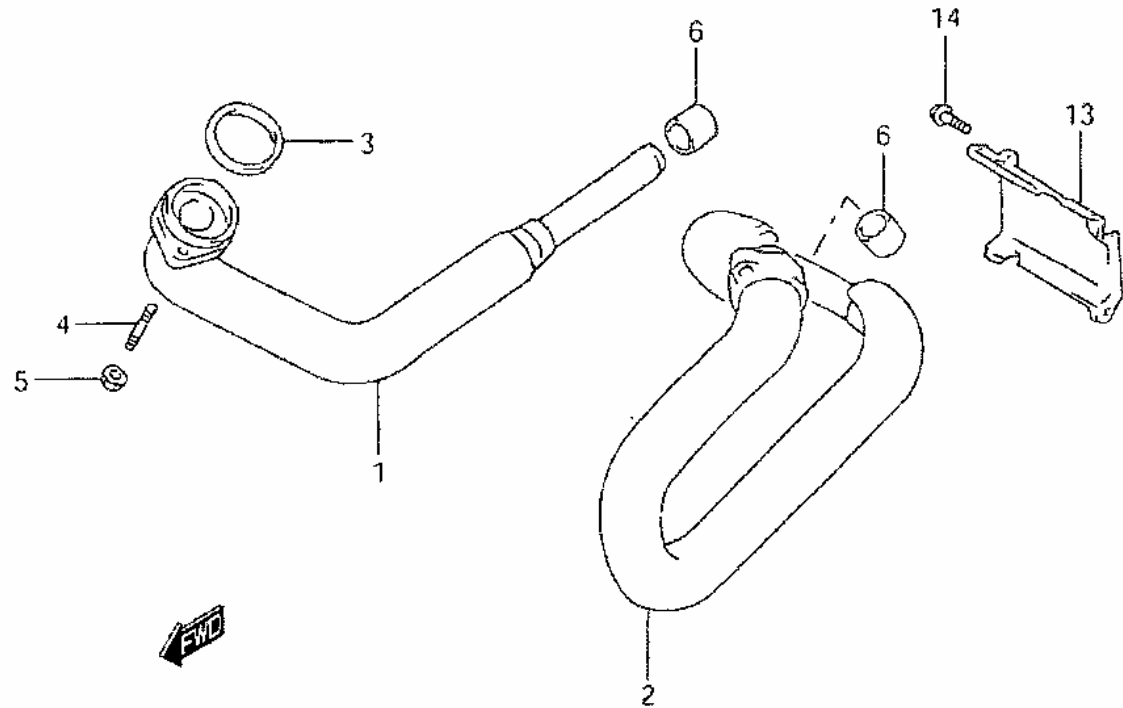
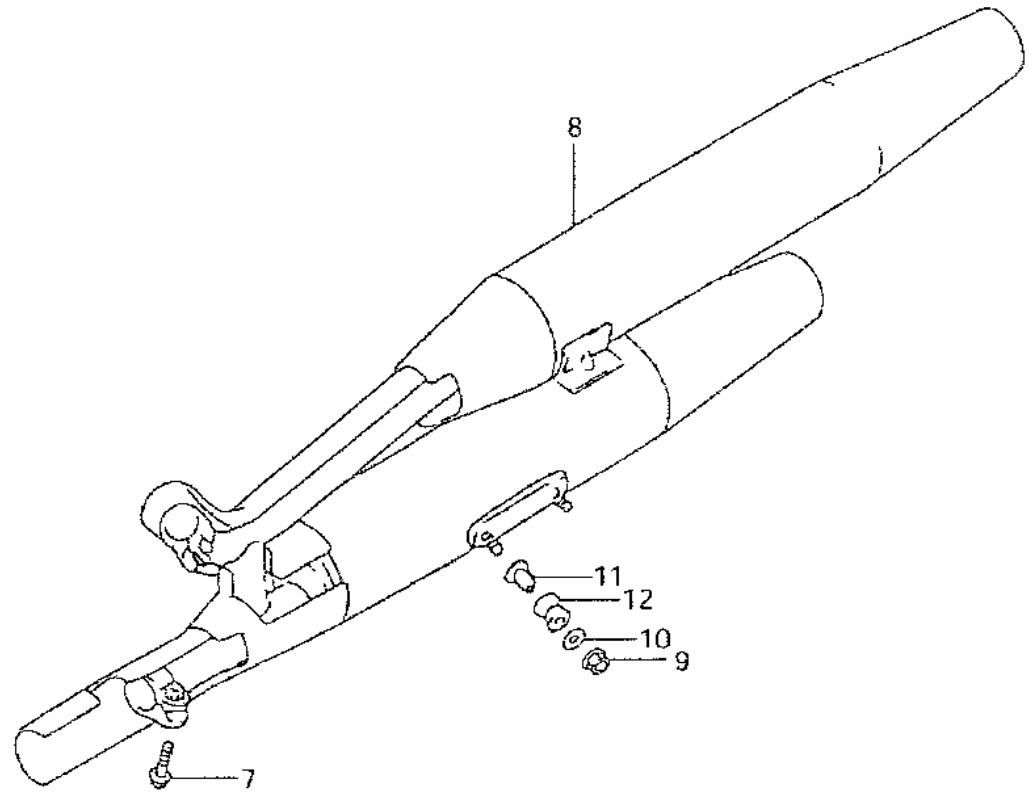
MUFFLER V W

- (1) 14150-48E10
PIPE,EXHAUST,R
- (2) 14160-48E00
PIPE COMP,EXHAU
- (3) 14181-45C00
GASKET,EXHAUST
- (4) 09108-08142
STUD BOLT L:30
- (5) 08313-10087
NUT
- (6) 08319-31087
NUT
- (7) 14771-14D00
CONNECTOR,MUFFL
- (8) 09106-08137
BOLT
- (9) 14180-48E00
COVER COMP,EXH
- (10) 14180-48E11
COVER,EXH PIPE,
- (11) 14190-48E00
COVER COMP,EXH
- (12) 14190-48E10
COVER COMP,EXH
- (13) 14185-48E00
CLAMP COMP,EXH
- (14) 09106-06084
BOLT
- (15) 14310-48E01-H01
BODY,MUFFLER,R
- (16) 14340-48E01-H01
BODY,MUFFLER,L
- (17) 01560-06103
BOLT
- (18) 08319-31087
NUT
- (19-1) 09160-08085
Discontinued
- (19-2) 09160-08133
WASHER,8.5X26X1
- (20) 09180-08151
SPACER
- (21) 09320-12043
CUSHION
- (22) 14181-48E00
GASKET,MUFFLER
- (23) 14790-48E00
COVER,MUFFLER
- (24) 09139-06076
SCREW 6X10
- (25) 14185-48E10
CLAMP,EXHAUST P



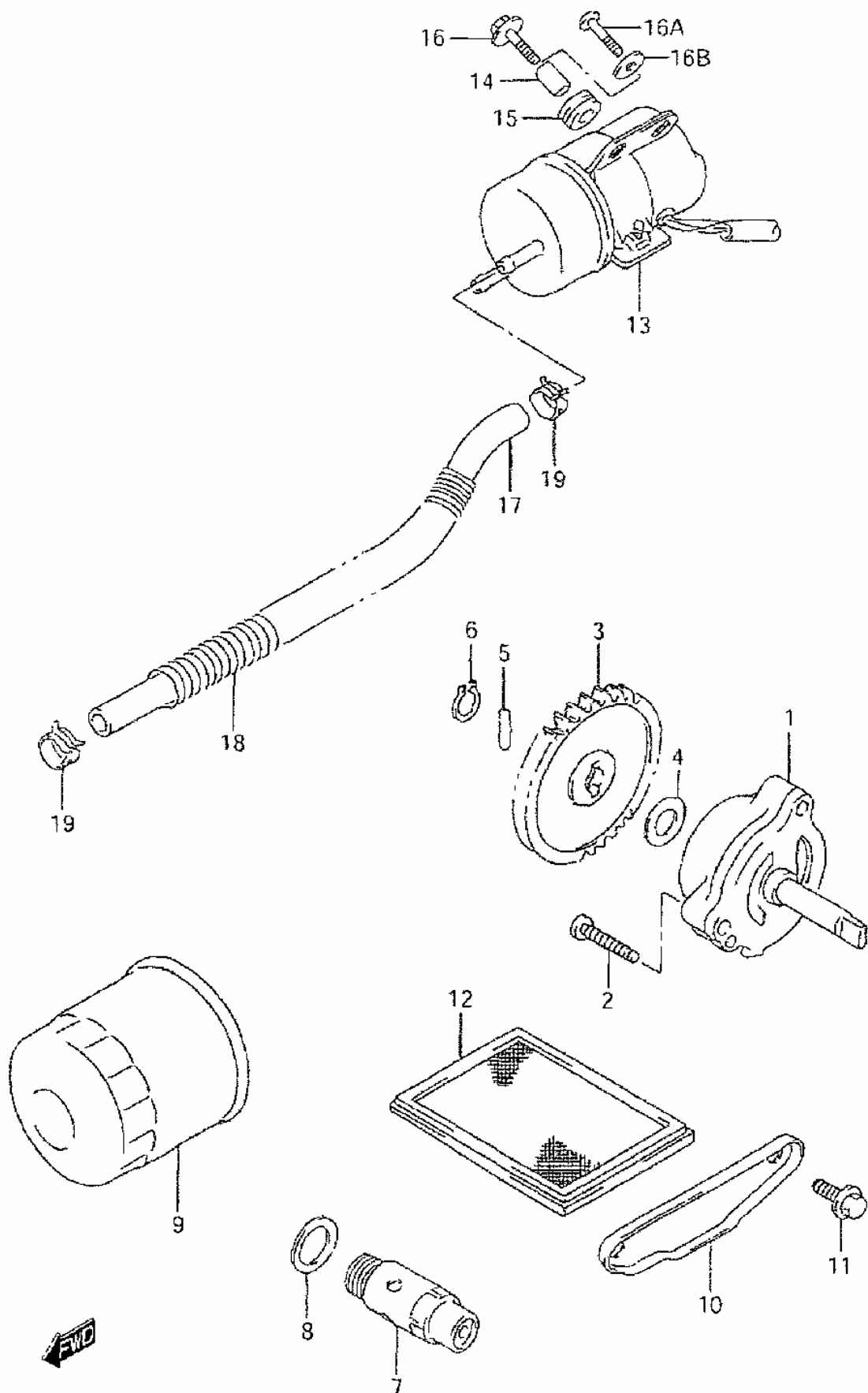
MUFFLER X Y K1 K2 K3

- (1) **14150-48E60**
PIPE COMP,EXHAU
- (2) **14160-48E60**
PIPE COMP,EXHAU
- (3) **14181-45C00**
GASKET,EXHAUST
- (4) **09108-08142**
STUD BOLT L:30
- (5) **08313-10087**
NUT
- (6) **14771-14D00**
CONNECTOR,MUFFL
- (7) **09106-08137**
BOLT
- (8) **14305-48E51-H01**
MUFFLER COMP
- (9) **08319-31087**
NUT
- (10) **09160-08133**
WASHER,8.5X26X1
- (11) **09180-08151**
SPACER
- (12) **09320-12043**
CUSHION
- (13) **14120-48E51**
GUARD COMP, HEA
- (14) **01550-06123**
BOLT



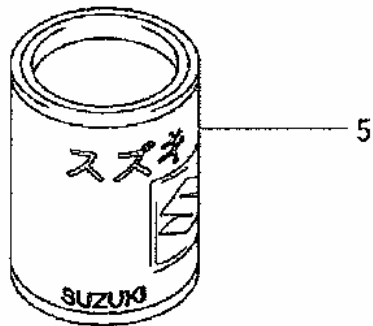
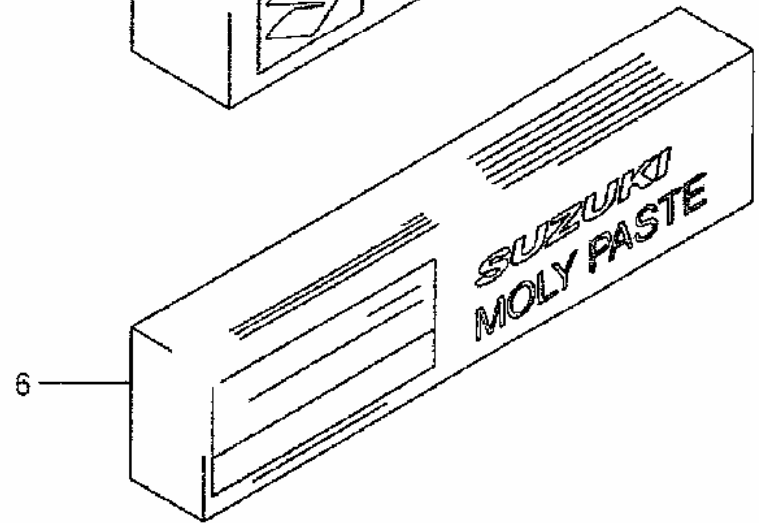
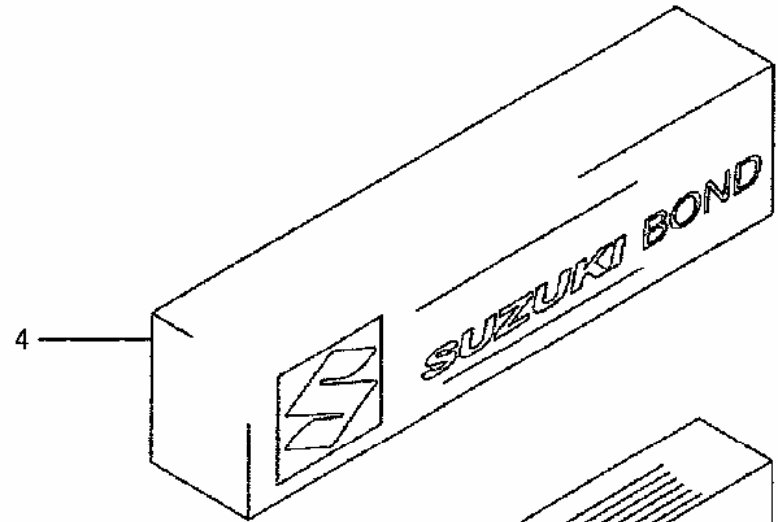
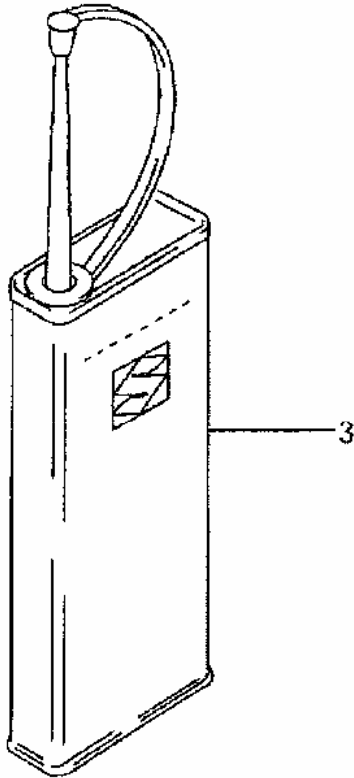
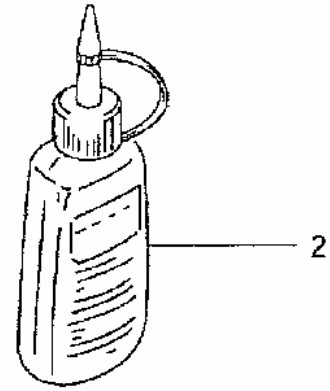
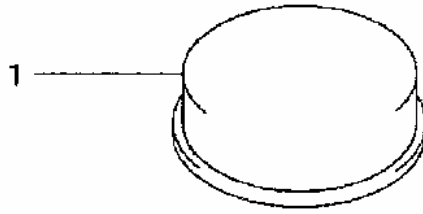
OIL PUMP FUEL PUMP

- (1) 16400-48E00
PUMP ASSY, ENGIN
- (2) 02112-06253
SCREW
- (3) 16331-48E00
GEAR, OIL PUMP D
- (4) 09181-10158
SHIM, 10X18X0.5
- (5) 09261-04009
GR SHIFT CAM DR
- (6) 08331-31106
CIRCLIP
- (7) 16440-33E00
VALVE ASSY, OIL
- (8) 09168-16002
GASKET 16X22X2
- (9-1) 16510-06B01
Discontinued
- (9-2) 16510-34E00
FILTER, ENGINE O
- (10) 16523-48E00
CAP, OIL STRAINE
- (11) 09103-06083
BOLT
- (12) 16520-32E00
STRAINER COMP, E
- (13) 15100-21E01
PUMP ASSY, FUEL
- (14) 09180-06263
SPACER, 6.5X9X9
- (15) 09320-09009
CUSHION
- (16) 09116-06011
BOLT
- (16A) 09139-06056
SCREW 6X20
- (16B) 09160-06077
WASHER
- (17) 09355-70125-600
Discontinued
- (18) 09440-14047
SPRING
- (19) 09401-11407
CLIP



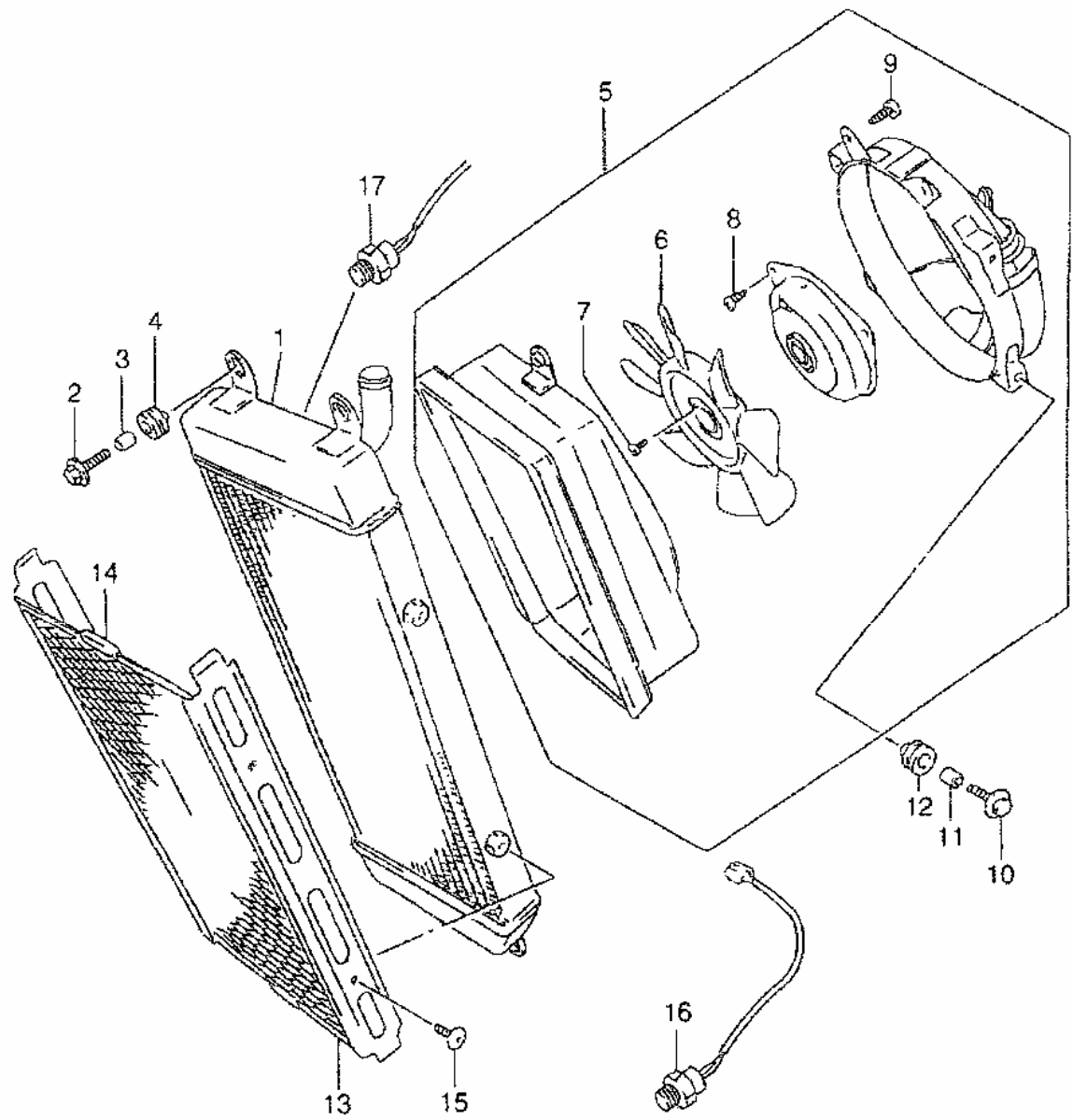
OPTIONAL

- (1) **99000-25110**
BRAKE PAD GREAS
- (2-1) **99104-32020**
Discontinued
- (2-2) **99104-32030**
Discontinued
- (2-3) **99000-32050**
1342 THREADLOCK
- (2-4) **99000-32100**
DISCONTINUED
- (2-5) **99000-32130**
1360 THREADLOCK
- (3) **99000-32040**
1401 THREADLOCK
- (4-1) **99000-31110**
Discontinued
- (4-2) **99000-31140**
DISCONTINUED
- (5) **99000-25030**
SUZUKI SUPER GR
- (6) **99000-25140**
MOLY PASTE



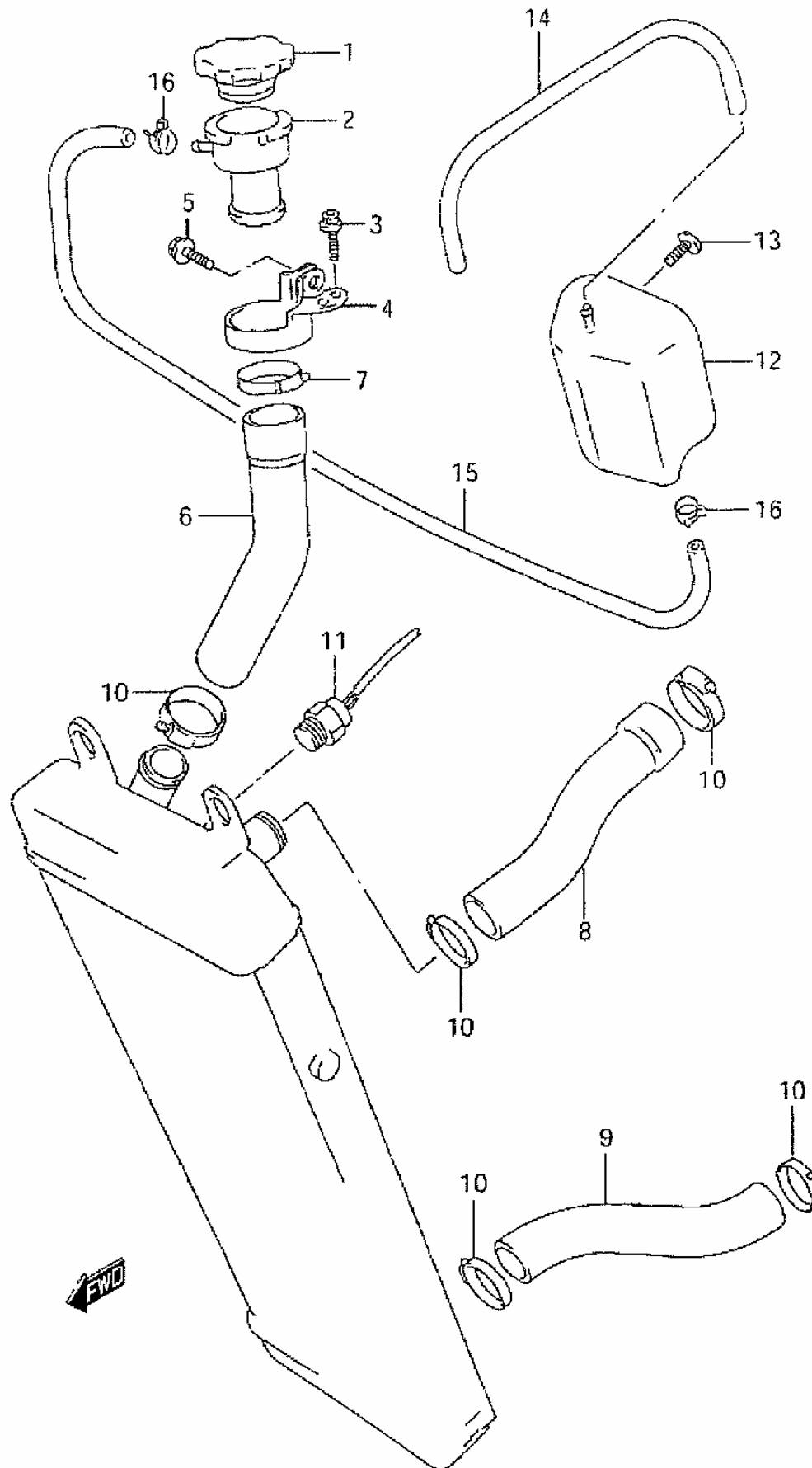
RADIATOR

- (1) **17710-48E00**
RADIATOR ASSY,W
- (2-1) **09116-06143**
Discontinued
- (2-2) **09116-06115**
BOLT
- (2-3) **09116-06167**
BOLT
- (3) **09180-06310**
SPACER
- (4) **09320-10501**
CUSHION
- (5) **17800-48E10**
FAN ASSY,RADIAT
- (6) **17820-45C00**
>> FAN
- (7) **02112-04063**
>> SCREW 4X6
- (8) **02112-15083**
>> Discontinued
- (9) **02112-15123**
>> Discontinued
- (10-1) **09116-06143**
Discontinued
- (10-2) **09116-06115**
BOLT
- (10-3) **09116-06167**
BOLT
- (11) **09180-06310**
SPACER
- (12) **09320-10015**
CUSHION FRAME C
- (13) **17760-48E10**
COVER,RADIATOR
- (14) **16654-27E00**
>> PROTECTOR,CTR
- (15) **09139-06051**
SCREW,L:10
- (16) **17680-48E00**
SWITCH,RADIATOR
- (17) **34850-10D00**
SWITCH ASSY,WAT



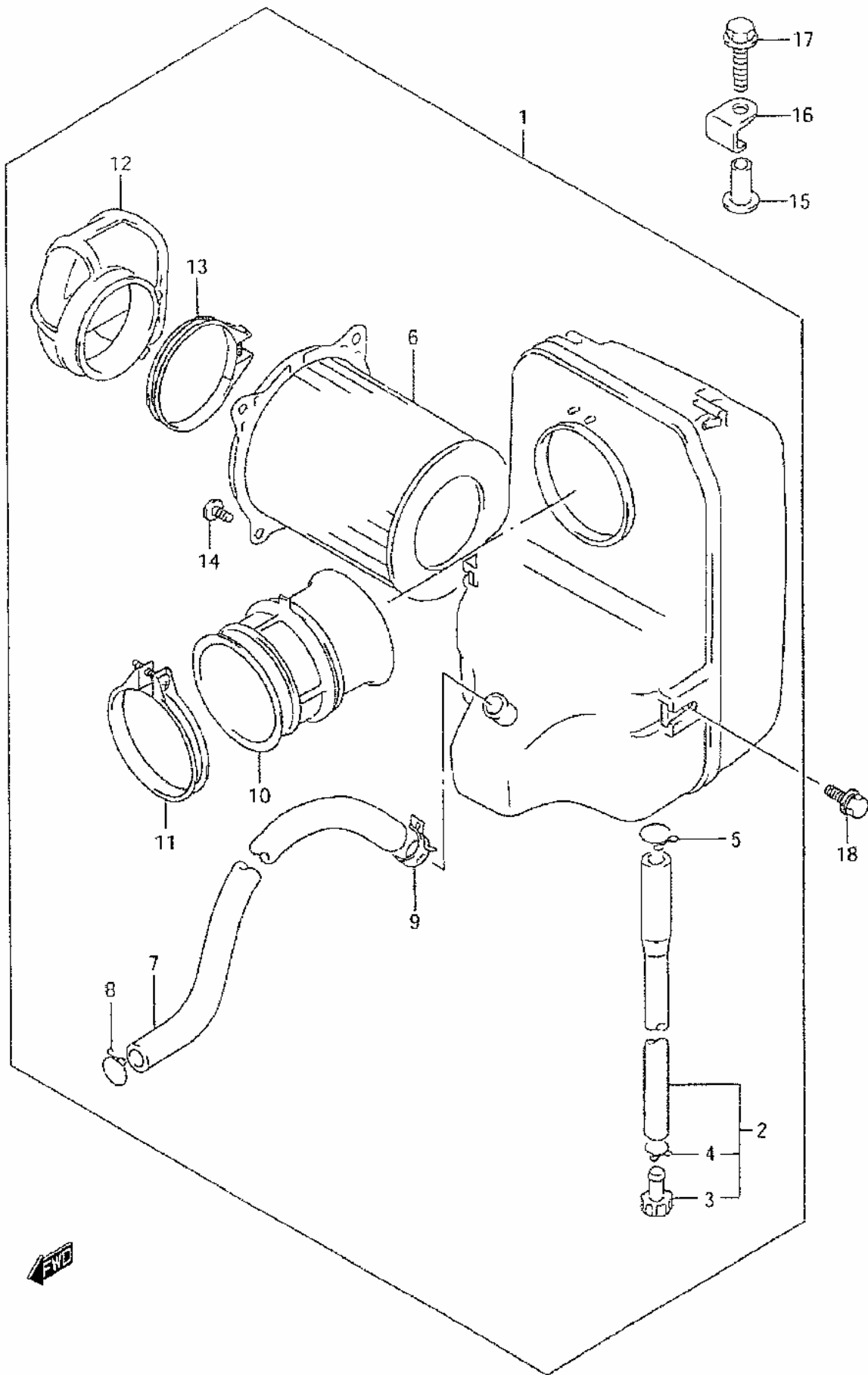
RADIATOR HOSE

- (1-1) **17730-19D00**
Discontinued
- (1-2) **17730-19D11**
CAP COMP,RADIAT
- (1-3) **17730-12C30**
CAP COMP, RADIA
- (2) **17791-45C00**
CONDUCTION COMP
- (3) **07120-06163**
BOLT,MAGNETO ST
- (4) **17793-48E00**
BRACKET,CONDUCT
- (5) **01550-06203**
BOLT
- (6) **17853-48E00**
HOSE,CONDUCTION
- (7) **09402-38511**
CLAMP
- (8) **17851-48E00**
HOSE,RADIATOR I
- (9) **17852-48E00**
HOSE,RADIATOR O
- (10) **09402-32511**
CLAMP
- (11) **17680-48E00**
SWITCH,RADIATOR
- (12) **17911-48E00**
TANK RESERVOIR
- (13) **02142-06123**
SCREW M6X1X12
- (14) **17982-38810**
HOSE,RESERVOIR
- (15) **17981-48E00**
HOSE,RESERVE TA
- (16) **09401-08411**
CLIP



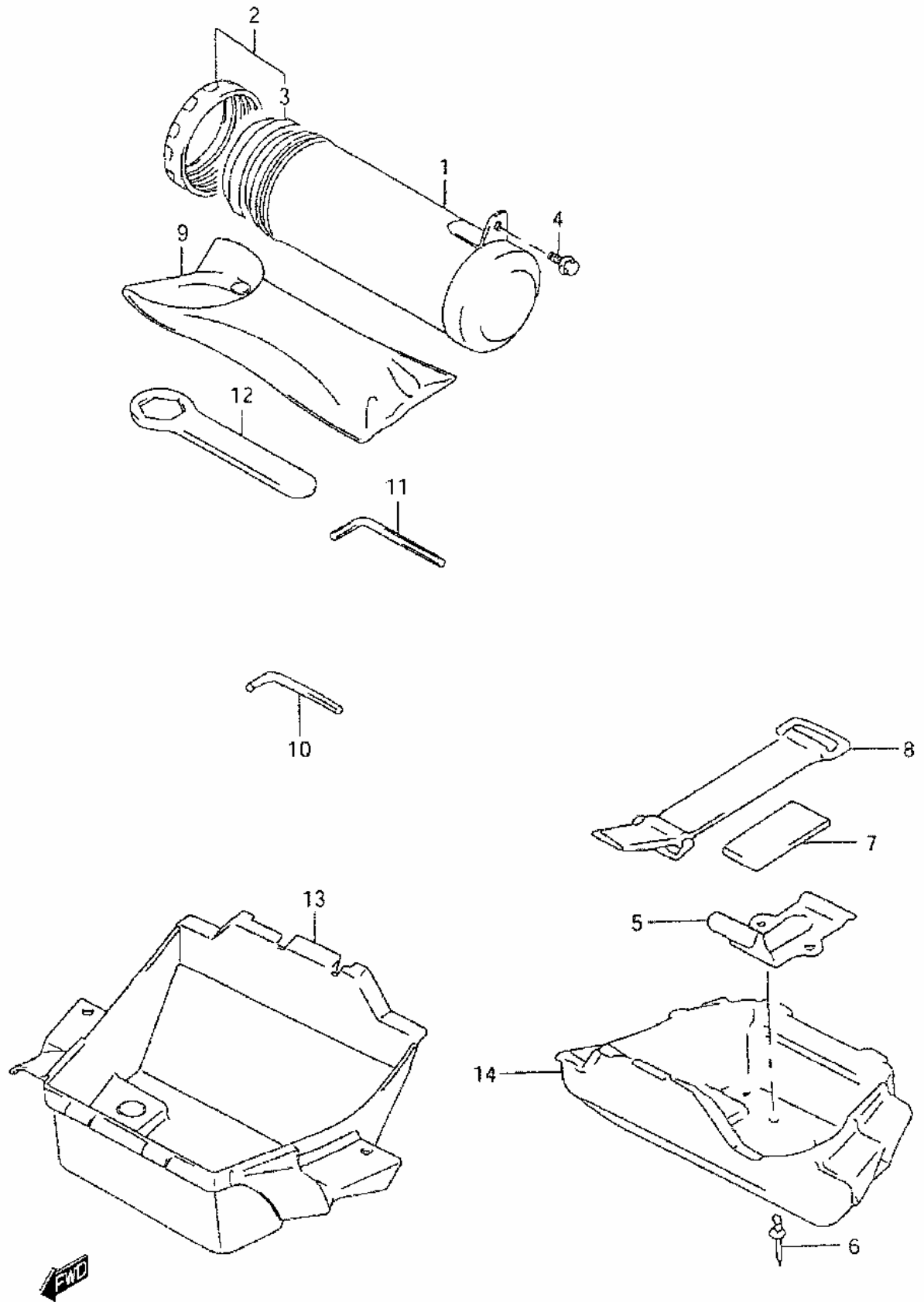
REAR AIR CLEANER

- (1) **13800-48E00**
CLEANER ASSY,AI
- (2) **13870-11308**
>> TUBE,DRAIN
- (3) **13877-38A00**
>>> STOPPER,DRAIN
- (4) **09401-11101**
>>> CLIP
- (5) **09401-13409**
>> CLIP
- (6) **13780-48E00**
>> FILTER,AIR CLEA
- (7-1) **13851-48E00**
>> TUBE,BREATHER
- (7-2) **13851-48E01**
>> TUBE,BREATHER
- (8-1) **09401-14301**
>> BREATHER HOSE C
- (8-2) **09401-16301**
>> CLAMP
- (8-3) **09401-15101**
>> CLIP,BREATHER T
- (9-1) **09401-14402**
>> Discontinued
- (9-2) **09401-16402**
>> Discontinued
- (9-3) **09401-16403**
>> CLAMP (CA)
- (10) **13881-48E00**
>> TUBE,OUTLET
- (11) **09402-58208**
>> CLAMP
- (12) **13891-45C30**
>> TUBE,INLET
- (13) **09402-56208**
>> CLAMP
- (14) **02142-05107**
>> SCREW
- (15) **13912-48E00**
SPACER,AIR CLEA
- (16) **13913-48E00**
PLATE,AIR CLEAN
- (17) **01550-06303**
BOLT
- (18) **01550-06123**
BOLT



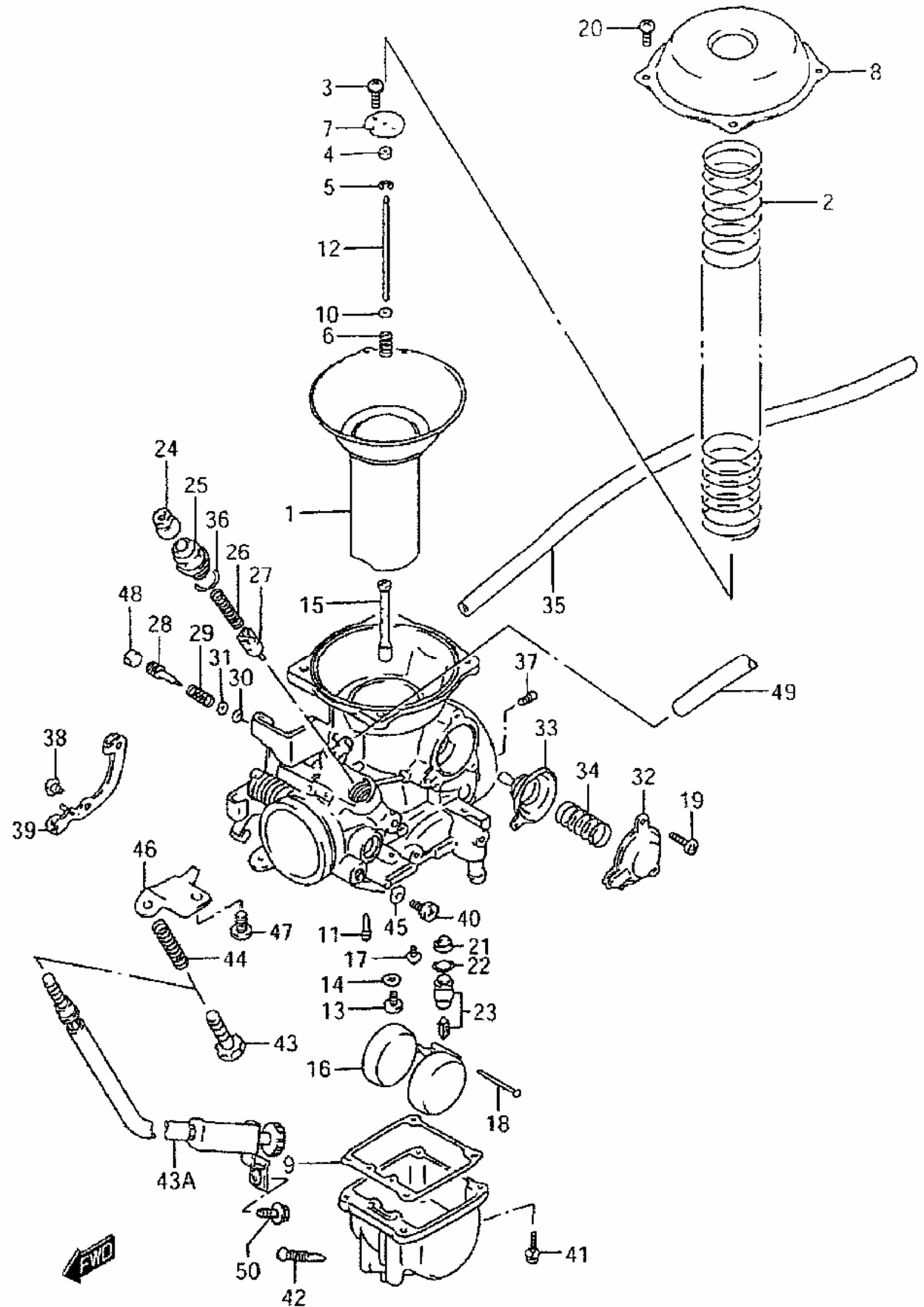
REAR BOX

- (1) **41550-48E00**
HOLDER COMP,TOO
- (2) **41500-48810**
CAP SET,TOOL HO
- (3) **41437-48E00**
>> CUSHION,TOOL HO
- (4) **01550-06123**
BOLT
- (5) **63466-48E00**
HOLDER,TOOL
- (6) **09229-04020**
RIVET
- (7) **33651-37000**
BAT PROTECTOR N
- (8-1) **47435-02F00**
Discontinued
- (8-2) **47435-02F01**
BAND,TOOL
- (9) **09800-21012**
TOOL ASSY
- (10) **09816-00103**
SPANNER,4,HEXAG
- (11) **09816-00050**
WRENCH BOX
- (12) **09817-00035**
RING SPANNER, 2
- (13) **92211-48E00**
Discontinued
- (14) **92211-48E01**
BODY,LUGGAGE BO



REAR CARBURETOR

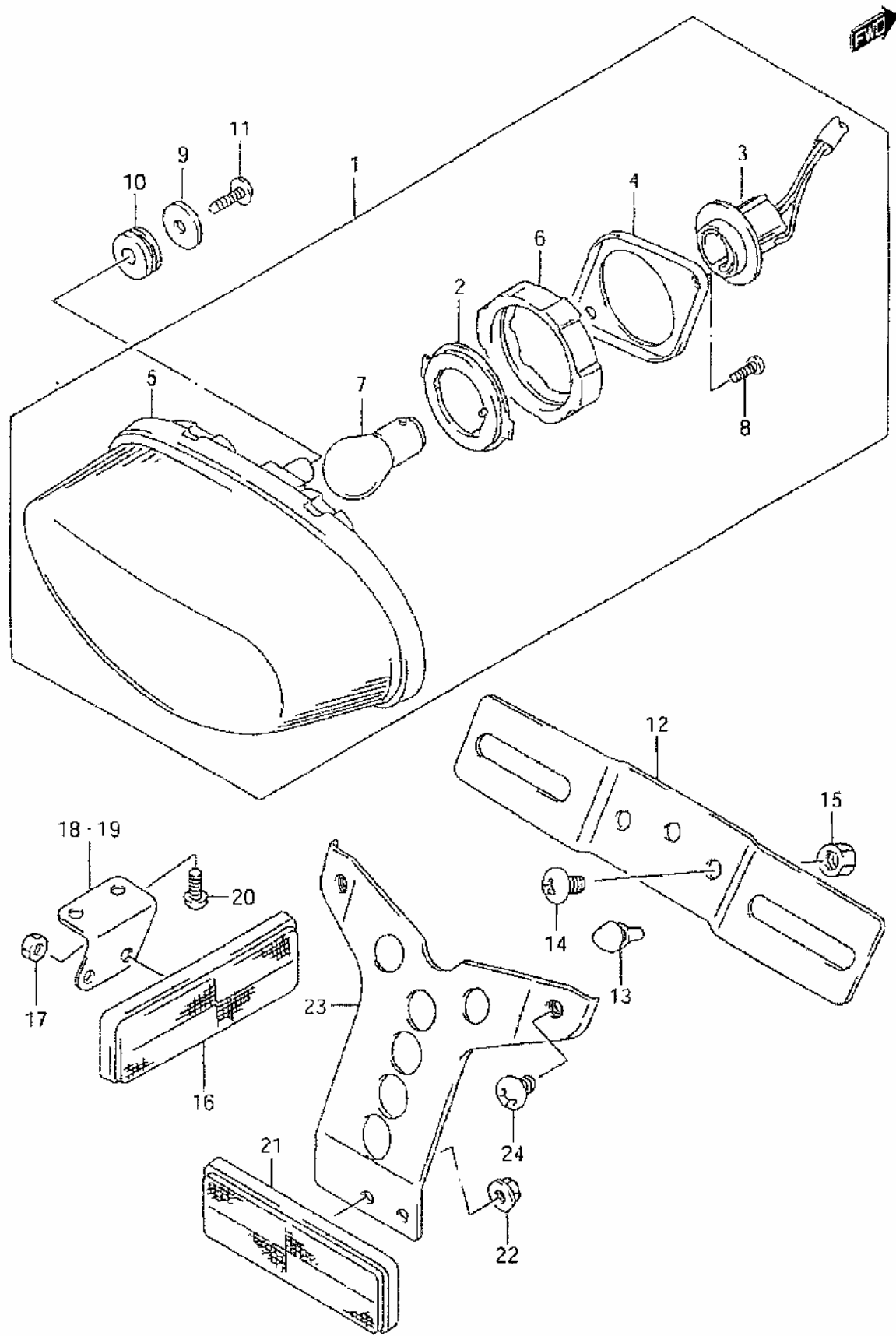
- (-) **13220-48E70**
CARBURETOR ASSY
- (-) **13220-48EB0**
CARBURETOR ASSY
- (-) **13220-48EF0**
CARBURETOR ASSY
- (-) **13220-48EG0**
CARB ASSY (CA)
- (1) **13500-38A10**
>> DIAPHRAGM ASSY
- (2) **13503-38B00**
>> SPRING, DIAPHRA
- (3) **02112-33073**
>> BOLT
- (4) **13387-47010**
>> JET NEEDLE RING
- (5) **13394-10010**
>> NEEDLE CLIP
- (6) **13388-44030**
>> SPRING
- (7) **13389-37400**
>> PLATE
- (8-1) **13502-38A10**
>> Discontinued
- (8-2) **13502-45CE0**
>> COVER
- (9) **13251-38A10**
>> GASKET
- (10) **13382-44030**
>> WASHER
- (11) **09492-42010**
>> JET,PILOT
- (12) **13383-48E70**
>> NEEDLE,JET (5D8)
- (13) **09491-20017**
>> JET MAIN 100 H1
- (14-1) **13332-44080**
>> Discontinued
- (14-2) **13382-03110**
>> WASHER
- (15) **09494-00902**
>> JET,NEEDLE (P-3)
- (16) **13252-23010**
>> FLOAT
- (17) **13602-05A10**
>> SCREW
- (18) **13254-92311**
>> FLOAT PIN
- (19) **13602-19B50**
>> SCREW
- (20) **13602-48B00**
>> SCREW
- (21-1) **13376-84110**
>> Discontinued
- (21-2) **13376-19F00**
>> FILTER
- (22-1) **13374-44080**
>> Discontinued
- (22-2) **13374-35C00**
>> O RING,NEEDLE V
- (23) **13370-39A00**
>> VALVE ASSY,NEED
- (24) **13681-04010**
>> CARBURETOR CAP
- (25) **13418-43410**
>> HOLDER GUIDE
- (26) **13417-22010**
>> SRING,STARTER P
- (27) **13411-01400**
>> VALVE STARTER
- (28) **13279-47070**



	>> SCREW PILOT
(29)	13268-47070 >> SPRING
(30)	13295-29900 >> O RING
(31)	13291-29900 >> WASHER
(32)	13484-45C00 >> COVER
(33)	13480-05A10 >> DIAPHRAGM ASSY
(34)	13481-45C10 >> SPRING
(35-1)	09352-50823-600 >> HOSE,5X8.2X600
(35-2)	13684-48EF0 >> (CA) HOSE 5X8X3
(35-3)	13683-19B80 >> HOSE,AIR VENT (
(36)	13278-47090 >> O RING
(37)	09492-70004 >> PILOT JET
(38)	13602-05A30 >> SCREW
(39)	13554-38A10 >> LEVER ASSY
(40)	09125-05122 >> SCREW
(41-1)	13601-45C00 >> Discontinued
(41-2)	13601-04148 >> SCREW
(42-1)	13247-13A00 >> Discontinued
(42-2)	13247-02340 >> PLUG DRAIN
(43)	13267-39E50 >> ADJUSTER
(43A)	13267-48E00 >> ADJUSTER ASSY
(44)	13271-93011 >> SPRING CARBURET
(45)	13523-46110 >> DRAIN SCREW GAS
(46)	13621-38A10 >> BRACKET
(47-1)	13602-45C00 >> SCREW
(47-2)	13602-06128 >> SCREW
(48)	13281-05A00 >> PLUG
(49)	13683-38B00 >> (CA) HOSE SET,
(50)	01550-06103 BOLT

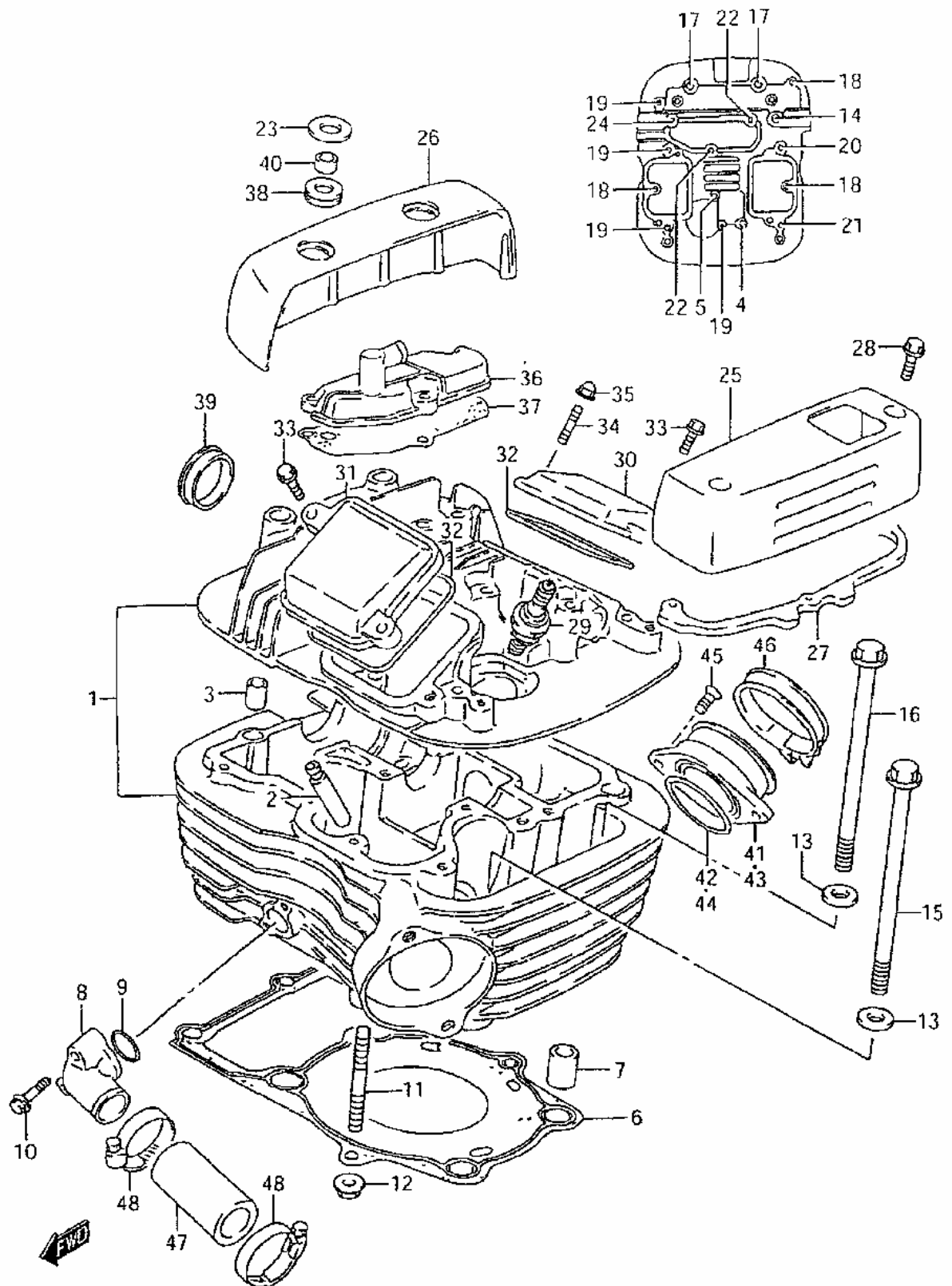
REAR COMBINATION LAMP

- (1) **35710-42E20**
LAMP ASSY,REAR
- (2) **35716-48B21**
>> PLATE NO.1
- (3) **35718-42E10**
>> SOCKET & CORD
- (4) **35736-48B21**
>> PLATE
- (5) **35740-42E11**
>> LAMP UNIT
- (6) **35765-48B21**
>> CUSHION
- (7) **09471-12083**
>> Discontinued
- (8) **03211-04123**
>> SCREW
- (9) **09160-05501**
WASHER
- (10) **09320-10015**
CUSHION FRAME C
- (11) **03541-05123**
SCREW 5X12
- (12) **35927-48B30**
BRACKET,LICENSE
- (13) **09321-06023**
CUSHION
- (14) **02142-06123**
SCREW M6X1X12
- (15) **08316-10063**
NUT
- (16) **35970-24D60**
REFLECTOR ASSY,
- (17) **08310-00053**
NUT 5MM
- (18) **35974-38A20**
BRACKET,REAR SI
- (19) **35975-38A20**
BRACKET,REAR SI
- (20) **02112-06083**
SCREW
- (21) **35970-24D60**
REFLECTOR ASSY,
- (22) **08316-10053**
NUT
- (23) **35974-48E00**
BRACKET,REAR RE
- (24) **02142-06123**
SCREW M6X1X12



REAR CYLINDER HEAD

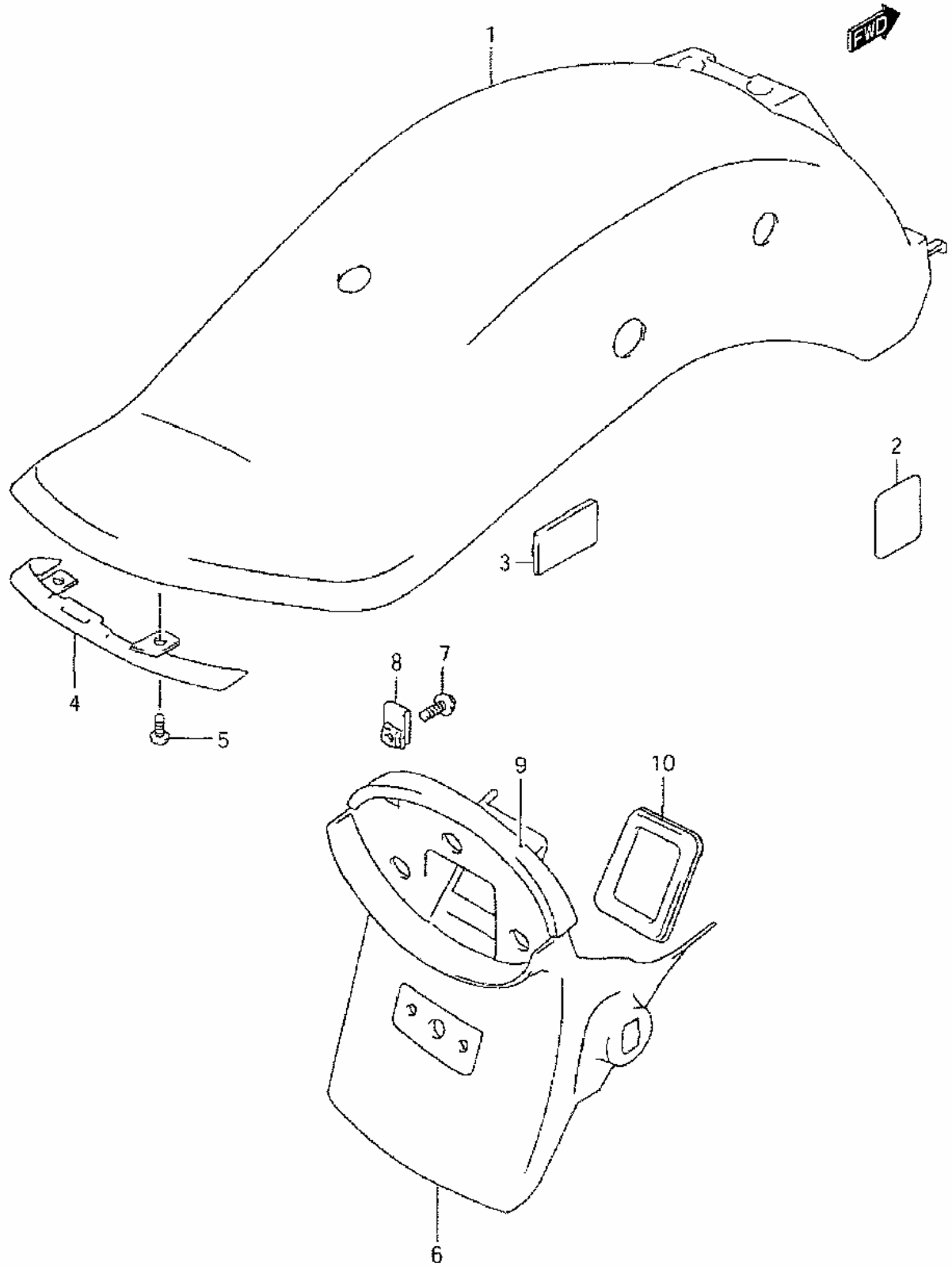
- (1) **11103-48E60**
HEAD ASSY,CYLIN
- (2) **09206-11004**
>> PIN
- (3) **09103-06101**
>> BOLT 6X50
- (4) **09103-06102**
>> BOLT 6X55
- (5) **11115-38A71**
GUIDE, VALVE
- (6) **11142-45C00**
GASKET,CYL HD R
- (7) **04211-13189**
PIN
- (8) **11169-45C10**
UNION,CYLINDER
- (9-1) **09280-18010**
Discontinued
- (9-2) **09280-18004**
SEAL NUT O RING
- (10) **01547-06253**
BOLT
- (11) **09108-08144**
STUD BOLT L:40
- (12-1) **08316-10087**
NUT
- (12-2) **08316-10083**
NUT
- (13-1) **09160-10060**
WASHER
- (13-2) **09160-10039**
Discontinued
- (14) **09103-08040**
BOLT CRANKCASE
- (15) **09103-10133**
BOLT, L:155 10
- (16) **09103-10134**
BOLT, L:165 10
- (17) **09103-08180**
BOLT, L:245 8 X
- (18-1) **01550-06257**
BOLT
- (18-2) **01550-06253**
BOLT
- (19-1) **01550-06307**
BOLT
- (19-2) **01550-06303**
BOLT
- (20-1) **07120-06307**
BOLT
- (20-2) **07120-06303**
BOLT
- (21-1) **01550-06407**
BOLT
- (21-2) **01550-06403**
BOLT
- (22) **09103-06102**
BOLT 6X55
- (23-1) **09160-08098**
WASHER 8.2X 24
- (23-2) **09160-08130**
Discontinued
- (24-1) **01550-06207**
BOLT
- (24-2) **01550-06203**
BOLT
- (25) **11173-48E00**
CAP,CYL HEAD CO
- (26) **11171-48E00**
CAP,CYL HEAD CO
- (27) **11273-38A01**



	CUSHION, RL CAP
(28)	09103-06192 BOLT
(29-1)	09482-00334 SPARK PLUG DPR8
(29-2)	09482-00335 SPARK PLUG X24E
(29-3)	09482-00354 SPARK PLUG DPR7
(29-4)	09482-00355 SPARK PLUG X22E
(29-5)	09482-00330 SPARK PLUG DPR9
(29-6)	09482-00331 SPARK PLUG X27E
(30)	11175-38A11 CAP,INSPECTION,
(31)	11176-38A11 CAP,INSPECTION,
(32)	11177-38A00 GASKET,INSPECTI
(33-1)	01547-06207 BOLT 6 X 20
(33-2)	01547-06203 BOLT6X20
(34-1)	01421-06168 6 X 16 STUD BOL
(34-2)	01421-06163 BOLT, STUD
(34-3)	09108-06102 STUD BOLT
(35-1)	08313-20067 NUT
(35-2)	08313-20063 NUT
(36)	11186-38A02 COVER,BREATHER
(37)	11187-38A02-H17 GASKET,BREATHER
(38)	09320-13015 CUSHION
(39)	09241-30004 PLUG CAM SHAFT
(40)	09301-08007 BUSH
(41)	13120-45C01 Discontinued
(42-1)	09280-40003 Discontinued
(42-2)	09280-40010 O RING
(43)	13102-45C00 PIPE ASSY,INTAK
(44)	09280-40010 >> O RING
(45)	02122-06203 SCREW 6X20
(46)	09402-52501 CLAMP,INTAKE PI
(47)	17854-38A00 HOSE,CYLINDER H
(48)	09402-28511 CLAMP

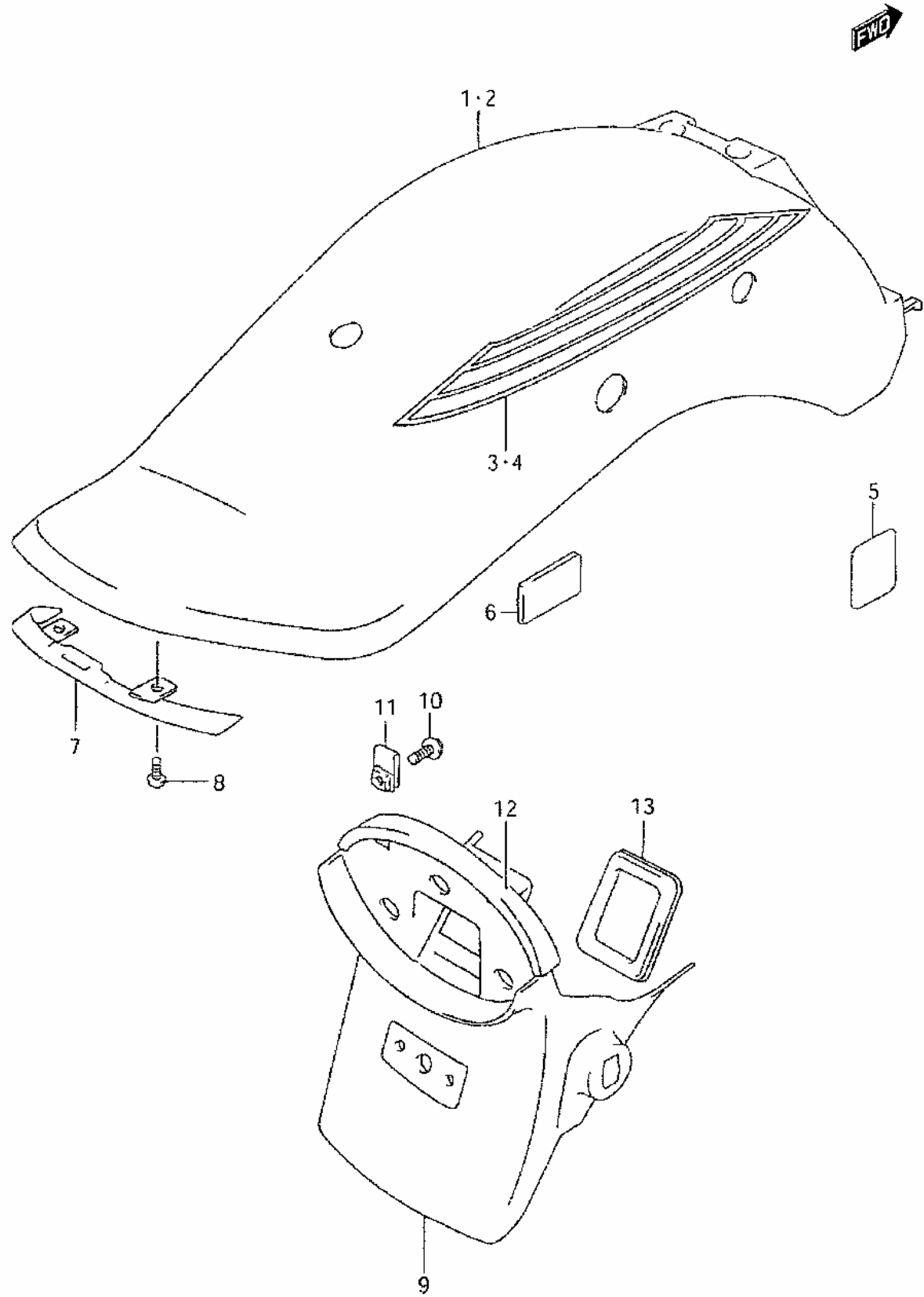
REAR FENDER K1

- (1-1) **63110-48E50-33J**
FENDER,REAR(BLA
- (1-2) **63110-48E50-YC2**
FENDER COMP,REA
- (1-3) **63110-48E50-YE2**
FENDER COMP,REA
- (2) **61544-94500**
>> PAD OIL FILLER
- (3) **09320-13015**
CUSHION
- (4) **63112-48E00**
COVER,REAR FEND
- (5) **03541-05123**
SCREW 5X12
- (6) **63311-48E00**
EXTENSION,REAR
- (7) **02162-06163**
SCREW
- (8) **47153-19C01**
PLATE,FRAME COV
- (9) **63312-48E00**
CUSHION,REAR FE
- (10) **63191-48E00**
CAP,REAR FENDER



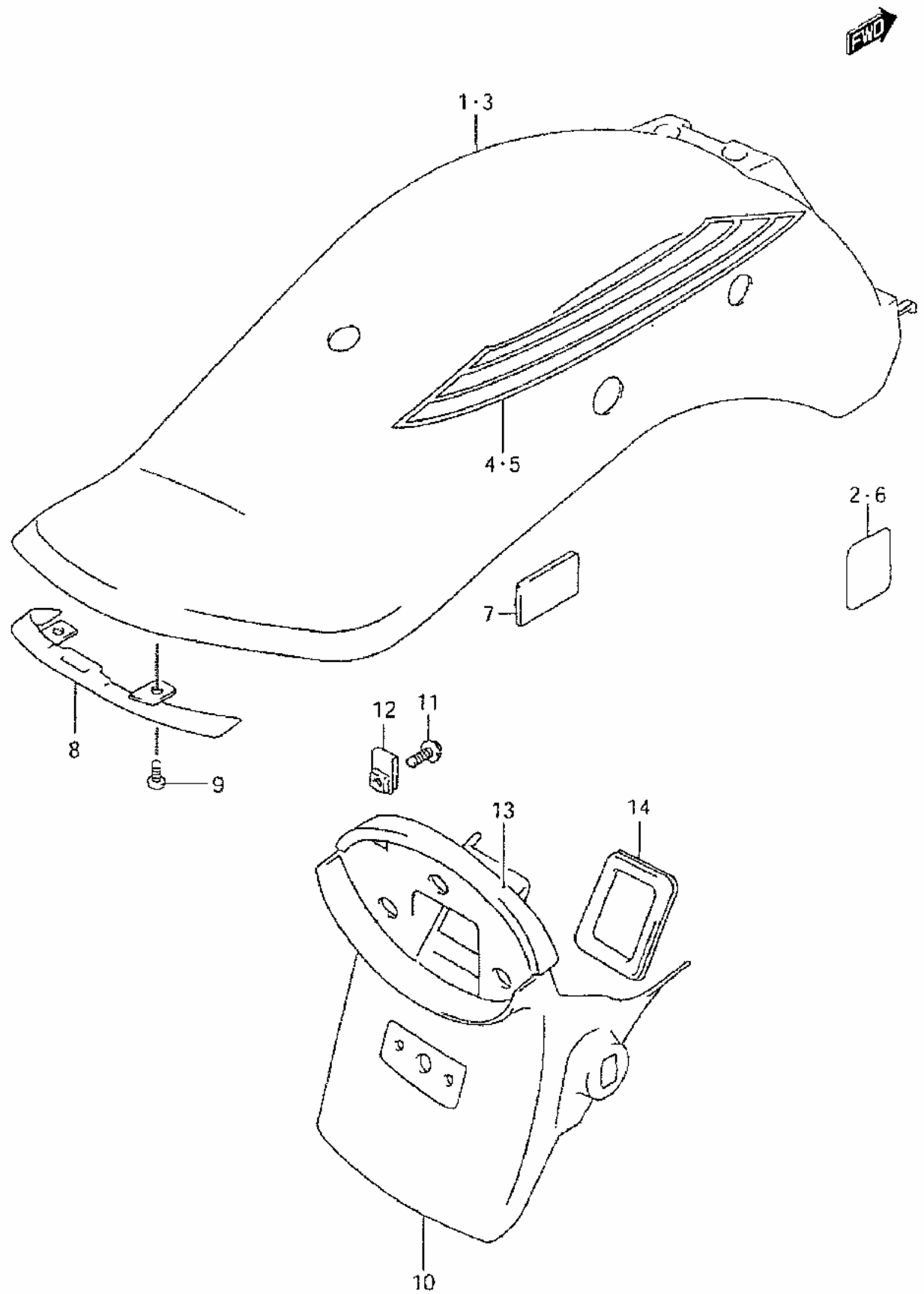
REAR FENDER K2

- (1) **63111-48E00-33J**
Discontinued
- (2) **63110-48EA0-1LF**
FENDER,REAR(BLU
- (3) **68175-48E00-CN5**
>> TAPE,REAR FENDE
- (4) **68176-48E00-CN5**
>> TAPE,REAR FENDE
- (5) **61544-94500**
>> PAD OIL FILLER
- (6) **09320-13015**
CUSHION
- (7) **63112-48E00**
COVER,REAR FEND
- (8) **03541-05123**
SCREW 5X12
- (9) **63311-48E00**
EXTENSION,REAR
- (10) **02162-06163**
SCREW
- (11) **47153-19C01**
PLATE,FRAME COV
- (12) **63312-48E00**
CUSHION,REAR FE
- (13) **63191-48E00**
CAP,REAR FENDER



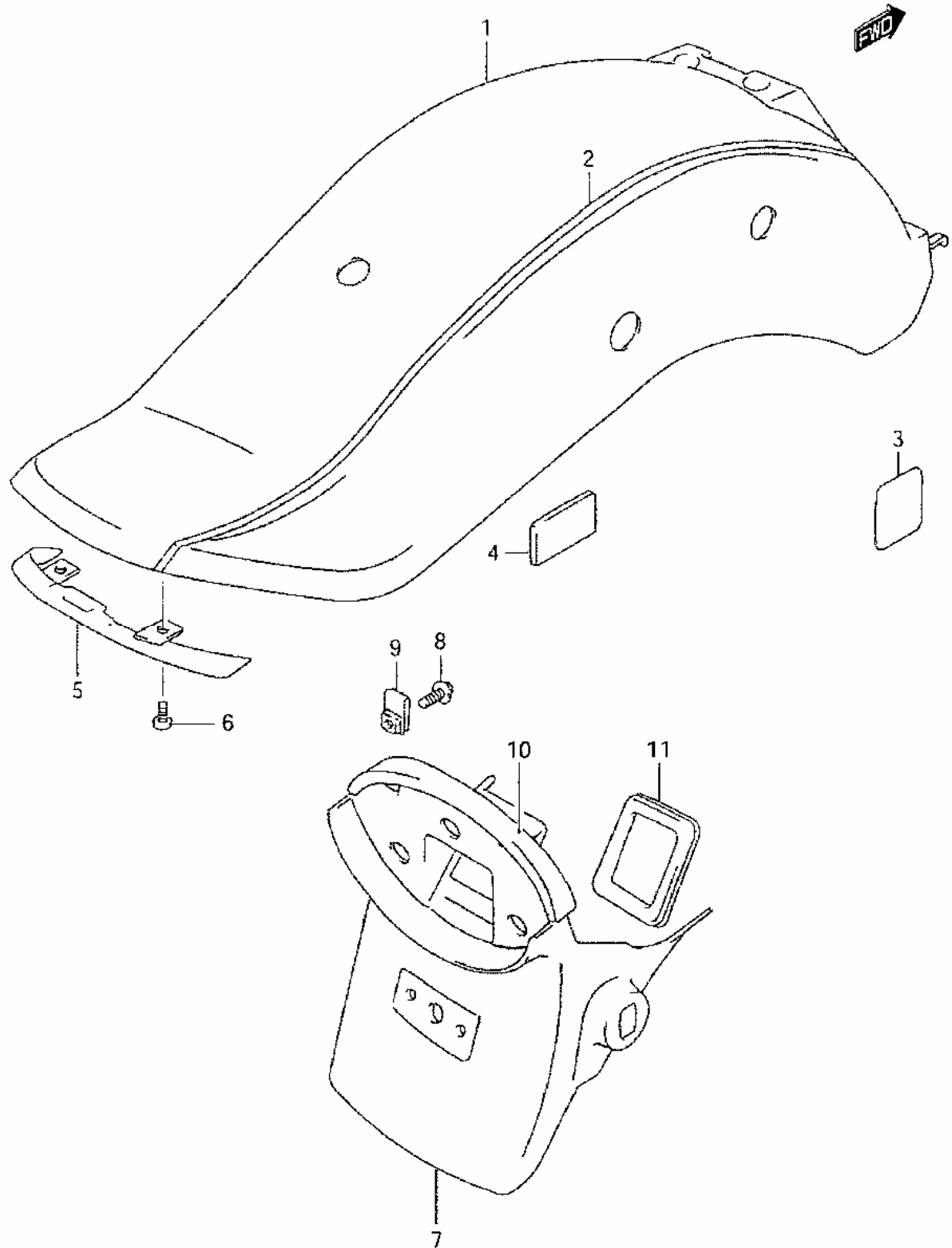
REAR FENDER K3

- (1) **63110-48E50-33J**
FENDER,REAR(BLA
- (2) **61544-94500**
>> PAD OIL FILLER
- (3) **63110-48EA0-YD8**
FENDER COMP,REA
- (4) **68175-48E00-CY9**
>> TAPE,REAR FENDE
- (5) **68176-48E00-CY9**
>> TAPE,REAR FENDE
- (6) **61544-94500**
>> PAD OIL FILLER
- (7) **09320-13015**
CUSHION
- (8) **63112-48E00**
COVER,REAR FEND
- (9) **03541-05123**
SCREW 5X12
- (10) **63311-48E00**
EXTENSION,REAR
- (11) **02162-06163**
SCREW
- (12) **47153-19C01**
PLATE,FRAME COV
- (13) **63312-48E00**
CUSHION,REAR FE
- (14) **63191-48E00**
CAP,REAR FENDER



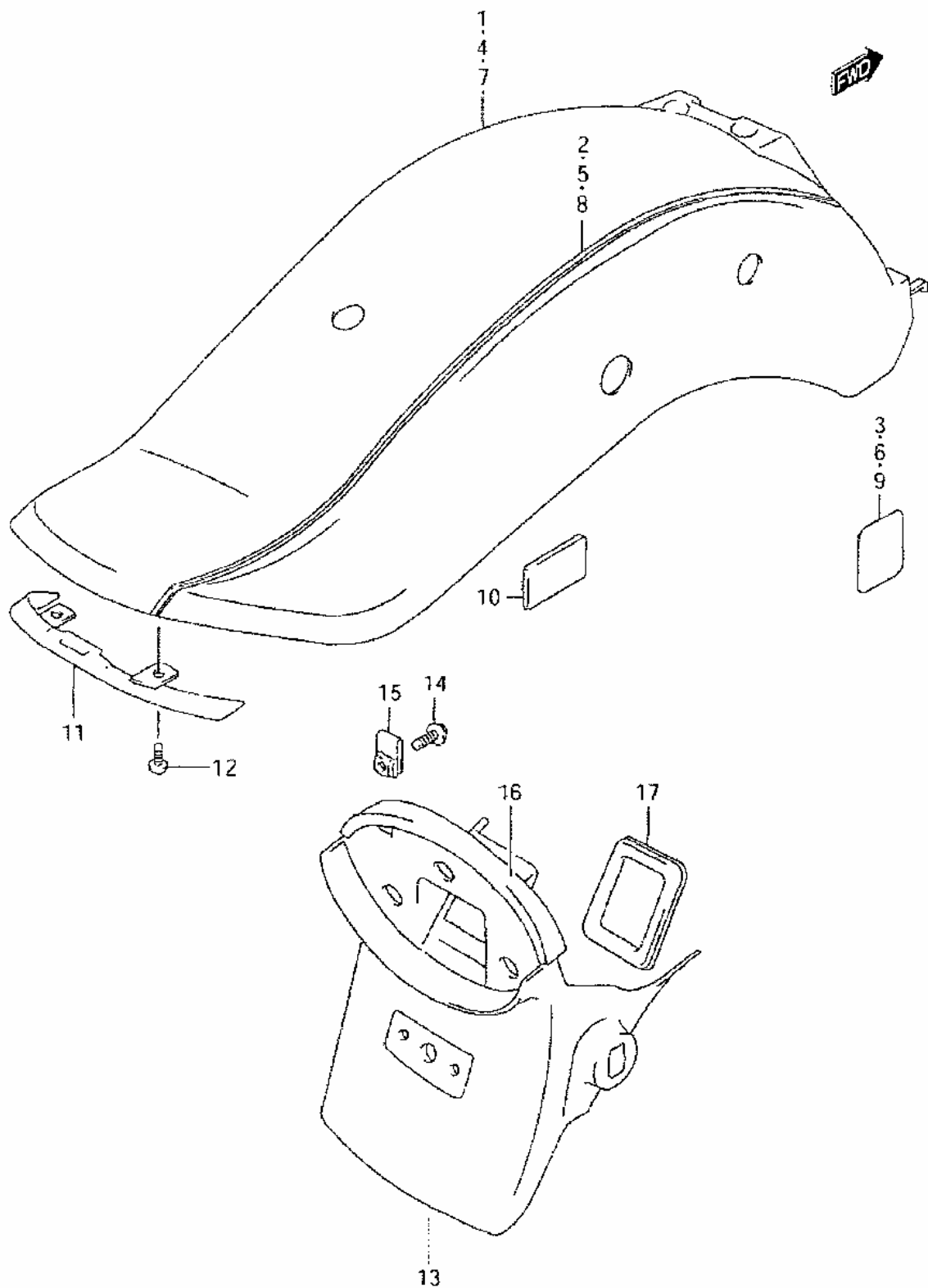
REAR FENDER V

- (1-1) **63110-48E20-E9N**
FENDER COMP,REA
- (1-2) **63110-48E20-G9Y**
FENDER COMP,REA
- (2-1) **68170-48E01-H0G**
>> TAPE SET,REAR F
- (2-2) **68170-48E01-H0H**
>> TAPE SET,REAR F
- (3) **61544-94500**
>> PAD OIL FILLER
- (4) **09320-13015**
CUSHION
- (5) **63112-48E00**
COVER,REAR FEND
- (6) **03541-05123**
SCREW 5X12
- (7) **63311-48E00**
EXTENSION,REAR
- (8) **02162-06163**
SCREW
- (9) **47153-19C01**
PLATE,FRAME COV
- (10) **63312-48E00**
CUSHION,REAR FE
- (11) **63191-48E00**
CAP,REAR FENDER



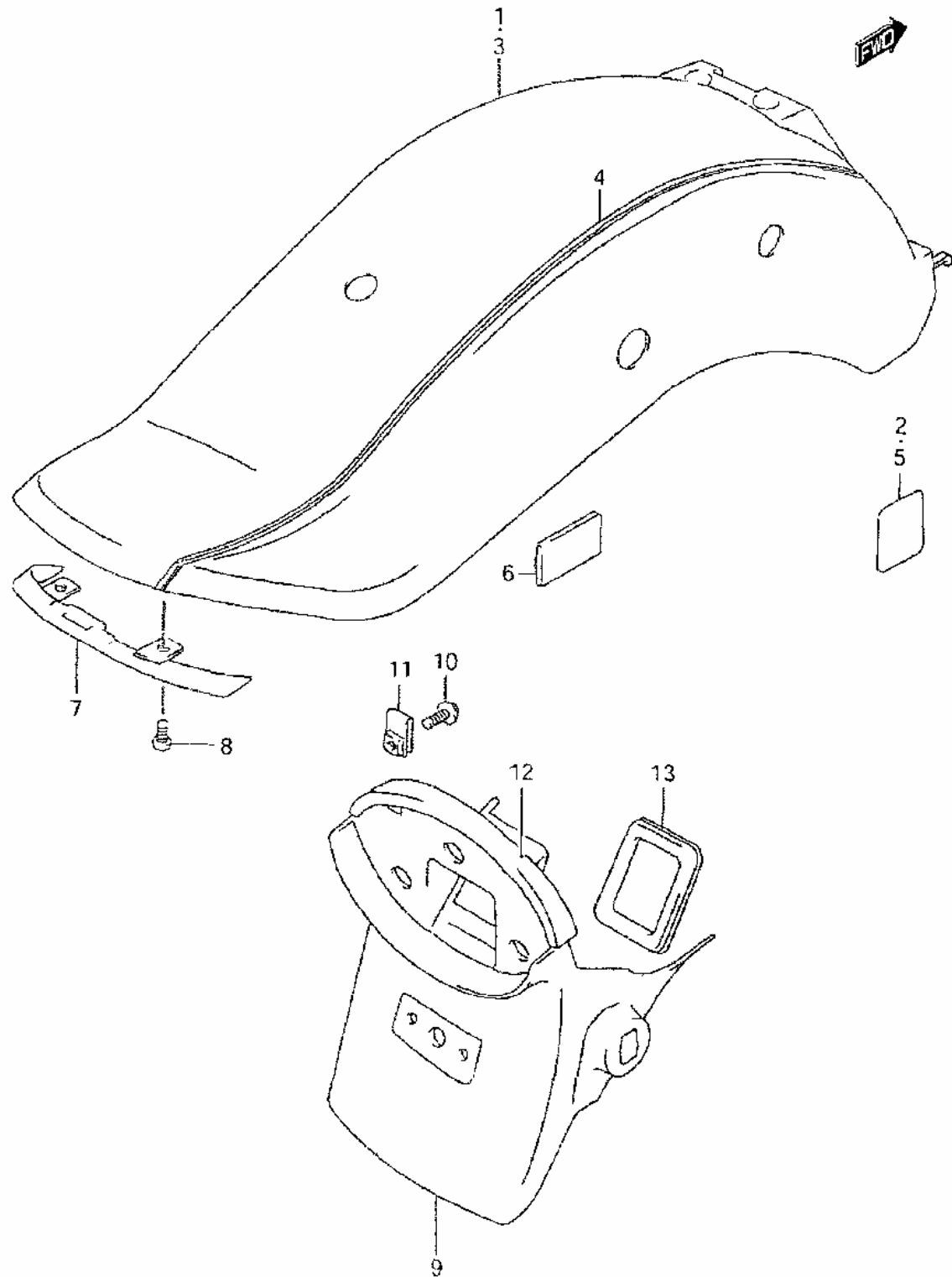
REAR FENDER W X

- (1) 63110-48E30-J8K
FENDER,REAR
- (2) 68170-48E10-J9G
>> TAPE SET,REAR F
- (3) 61544-94500
>> PAD OIL FILLER
- (4) 63110-48E40-J4M
FENDER,REAR
- (5) 68170-48E20-J6F
>> TAPE SET,REAR F
- (6) 61544-94500
>> PAD OIL FILLER
- (7-1) 63110-48E80-E9N
FENDER COMP,REA
- (7-2) 63110-48E80-G7U
FENDER COMP,REA
- (8-1) 68170-48E30-H0G
>> TAPE SET,REAR F
- (8-2) 68170-48E30-M1Z
>> TAPE SET,REAR F
- (9) 61544-94500
>> PAD OIL FILLER
- (10) 09320-13015
CUSHION
- (11) 63112-48E00
COVER,REAR FEND
- (12) 03541-05123
SCREW 5X12
- (13) 63311-48E00
EXTENSION,REAR
- (14) 02162-06163
SCREW
- (15) 47153-19C01
PLATE,FRAME COV
- (16) 63312-48E00
CUSHION,REAR FE
- (17) 63191-48E00
CAP,REAR FENDER



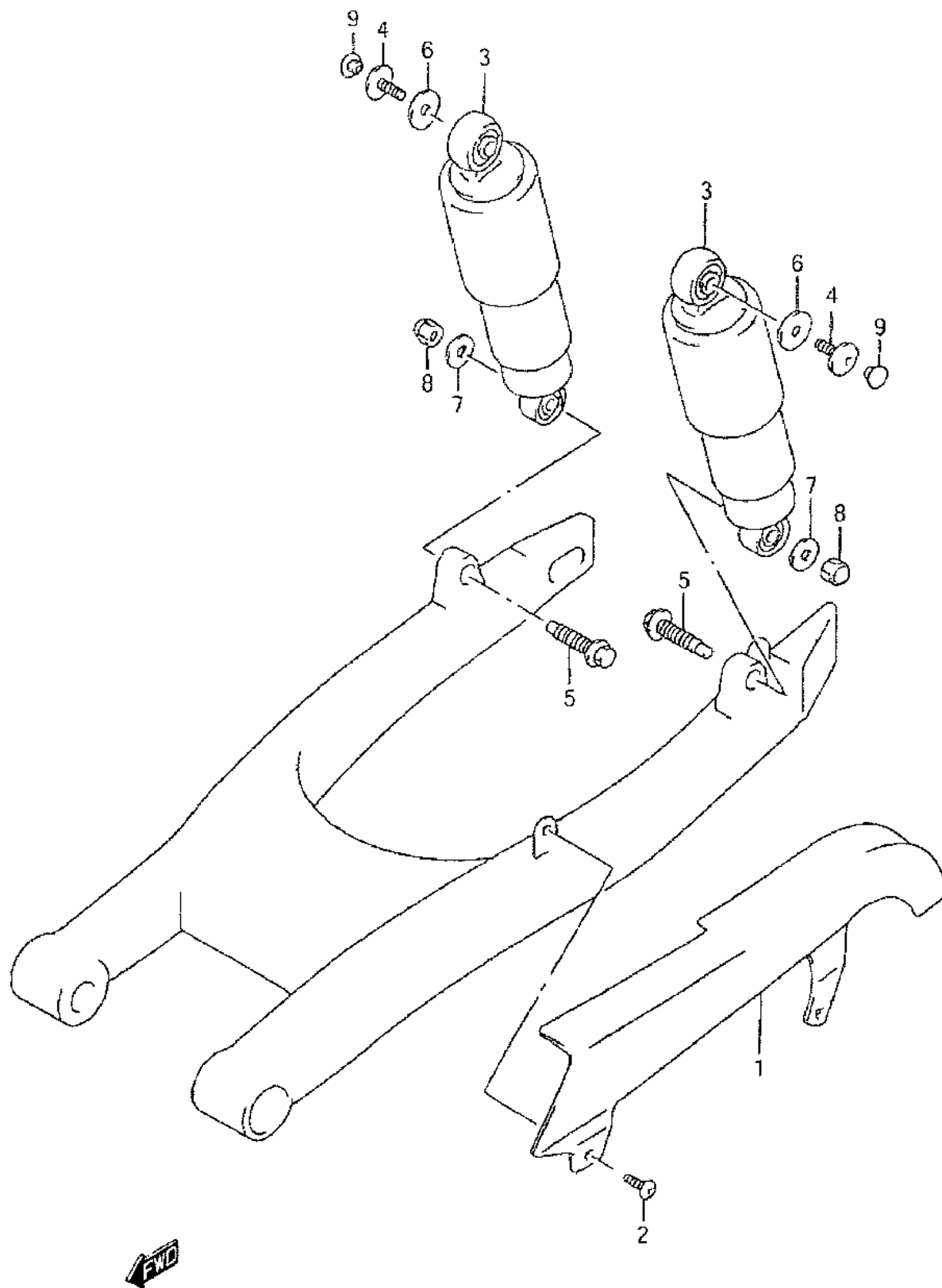
REAR FENDER Y

- (1) **63110-48E50-33J**
FENDER,REAR(BLA
- (2) **61544-94500**
>> PAD OIL FILLER
- (3-1) **63110-48E80-BP8**
FENDER COMP,REA
- (3-2) **63110-48E80-M9U**
UNAVAILABLE
- (4-1) **68170-48E30-BU3**
>> TAPE SET,REAR F
- (4-2) **68170-48E30-BU2**
>> UNAVAILABLE
- (5) **61544-94500**
>> PAD OIL FILLER
- (6) **09320-13015**
CUSHION
- (7) **63112-48E00**
COVER,REAR FEND
- (8) **03541-05123**
SCREW 5X12
- (9) **63311-48E00**
EXTENSION,REAR
- (10) **02162-06163**
SCREW
- (11) **47153-19C01**
PLATE,FRAME COV
- (12) **63312-48E00**
CUSHION,REAR FE
- (13) **63191-48E00**
CAP,REAR FENDER



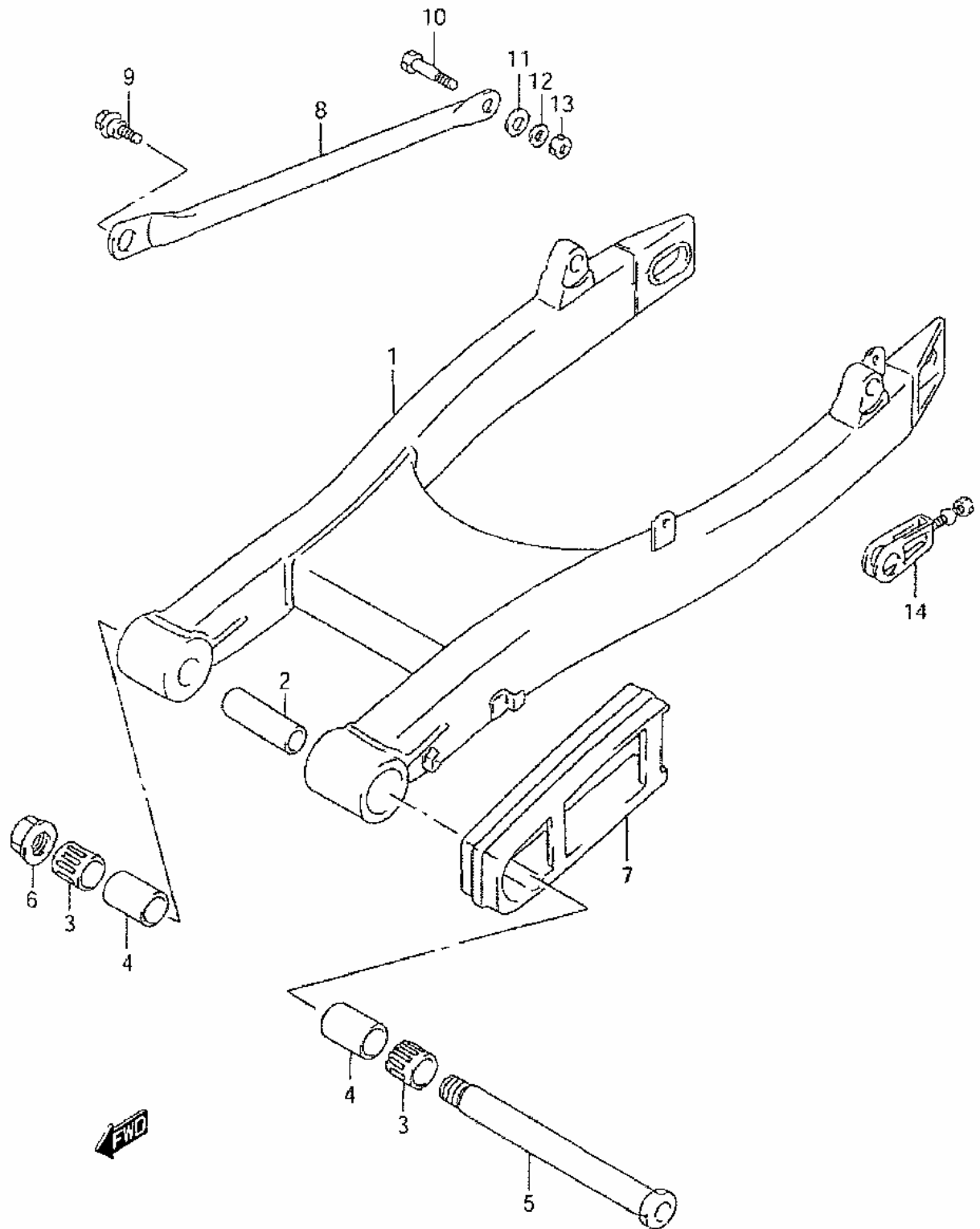
REAR SHOCK ABSORBER

- (1) **61310-48E10**
CASE, CHAIN
- (2) **02142-06107**
SCREW
- (3) **62100-48E10**
ABSORBER ASSY,R
- (4) **09106-08094**
BOLT
- (5) **62313-48E00**
BOLT,REAR SHOCK
- (6) **09160-08138**
WASHER,8.5X30X2
- (7) **09160-10035**
HDLBAR LOW CLP
- (8) **08313-10107**
NUT
- (9) **09250-06009**
CAP



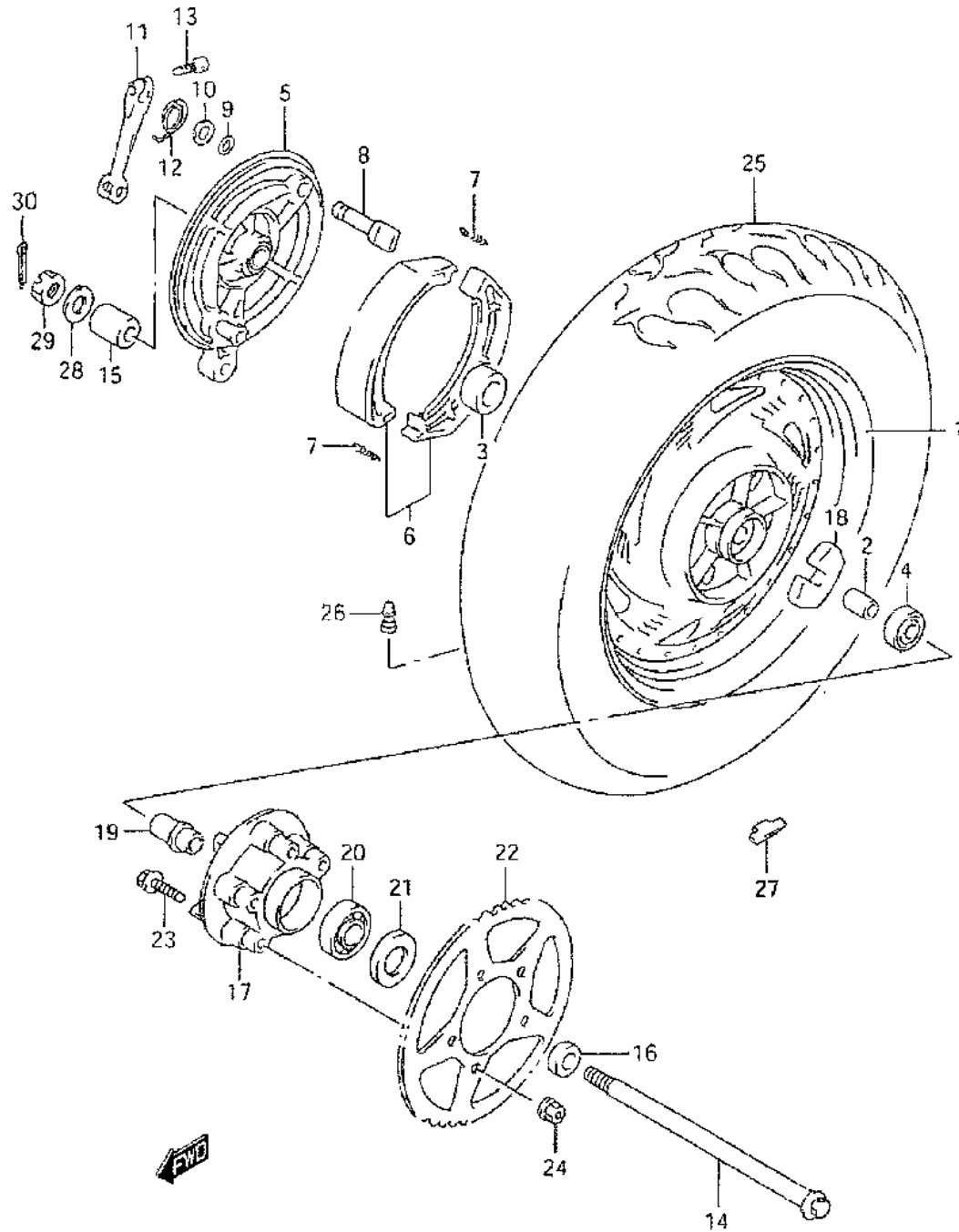
REAR SWINGING ARM

- (1) **61100-48E02-019**
SWINGINGARM,REA
- (2) **61282-48E00**
SPACER,RR SWGAR
- (3) **09263-25059**
RN 25X33X35 BRG
- (4) **61251-21E00**
SPACER,RR SWGAR
- (5) **61211-45C01**
SHAFT,REAR SWIN
- (6) **08319-31188**
NUT 18MM
- (7) **61273-48E00**
BUFFER,CHAIN TO
- (8) **64310-48E00**
TORQUE LINK COM
- (9) **09111-10056**
BOLT
- (10) **09111-10057**
BOLT
- (11) **09320-12501**
CUSHION
- (12) **09160-10085**
WASHER
- (13) **09159-10027**
NUT FINAL GEAR
- (14) **61400-19D90**
ADJUSTER ASSY,C



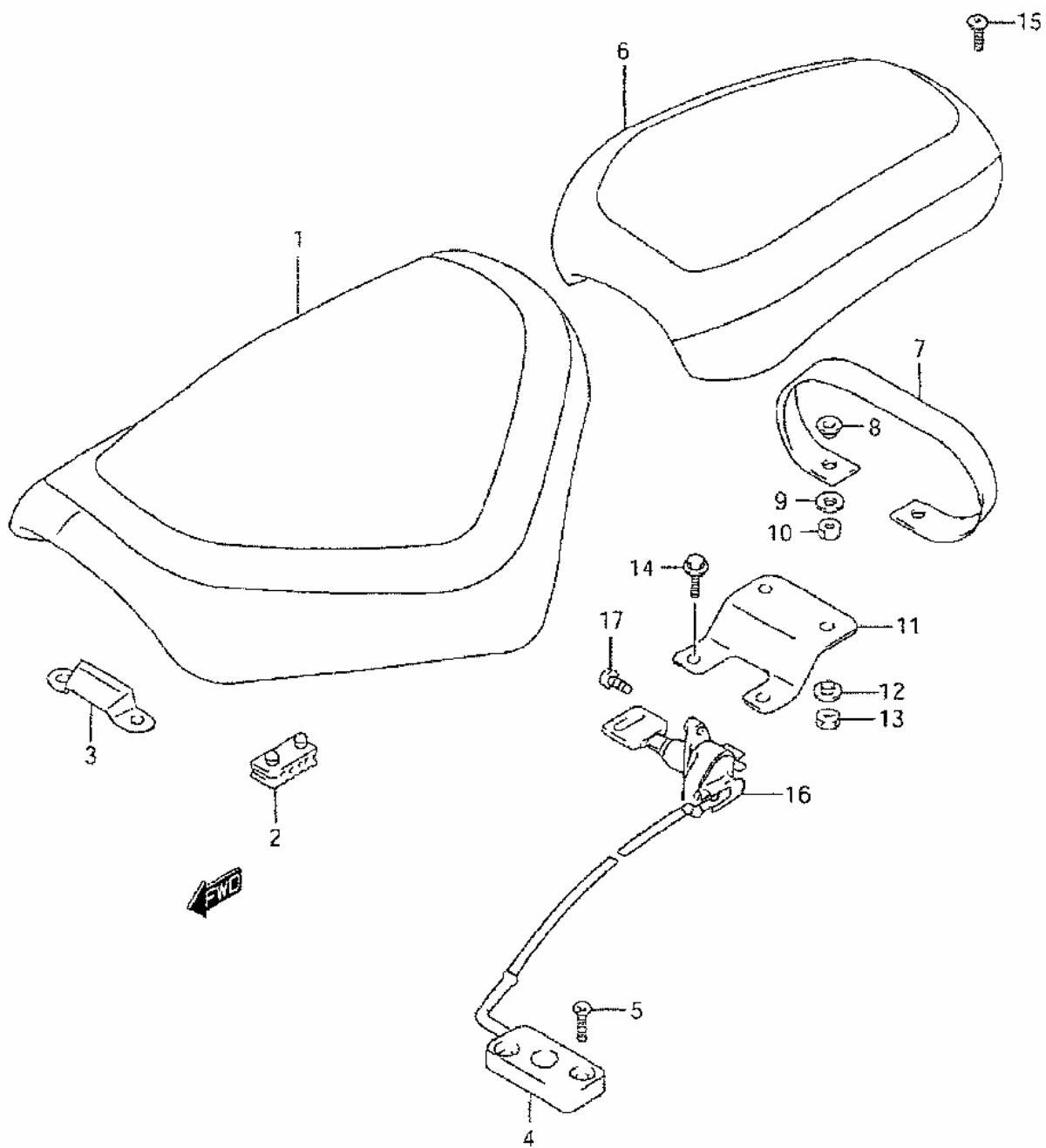
REAR WHEEL

- (1) **64150-48E00-12R**
WHEEL,REAR,15M/
- (2) **09180-17069**
SPACER RR HUB B
- (3) **08123-63037**
B1 17X47X14 BEA
- (4) **08143-63037**
B1 17X47X14 BEA
- (5) **64210-38A21**
PANEL,REAR BRAK
- (6) **64400-38810**
SHOE SET,BRAKE
- (7) **55420-30000**
BRAKE SHOE SPRI
- (8) **64441-38A20**
CAM,REAR BRAKE
- (9) **09280-15003**
O RING
- (10) **09160-15048**
DUST SEAL WASHE
- (11) **64451-38A01**
LEVER,RR BRAKE
- (12) **09448-33006**
SPRING RR BRK R
- (13) **01570-06257**
BOLT
- (14) **64711-24B10**
AXLE,REAR
- (15) **09180-17083**
SPACER
- (16) **64751-19C00**
SPACER,AXLE,L
- (17) **64611-17C01**
DRUM,REAR SPROC
- (18) **64651-32C00**
ABSORBER,REAR H
- (19) **64733-10D00**
RETAINER,REAR S
- (20) **09262-25073**
B1 25X62X17 BEA
- (21) **09285-35001**
SEAL, OIL 35X62
- (22) **64511-26E00**
SPROCKET,REAR,N
- (23) **09119-10037**
BOLT
- (24) **08319-31107**
NUT
- (25) **65110-48E10**
TIRE,REAR,150/9
- (26) **43130-24A00**
VALVE ASSY
- (27-1) **43232-82000**
Discontinued
- (27-2) **43234-82000**
Discontinued
- (27-3) **43236-82000**
Discontinued
- (28) **09160-16031**
WASHER
- (29) **08314-40163**
NUT
- (30) **04111-40408**
40 X 40 COTTER



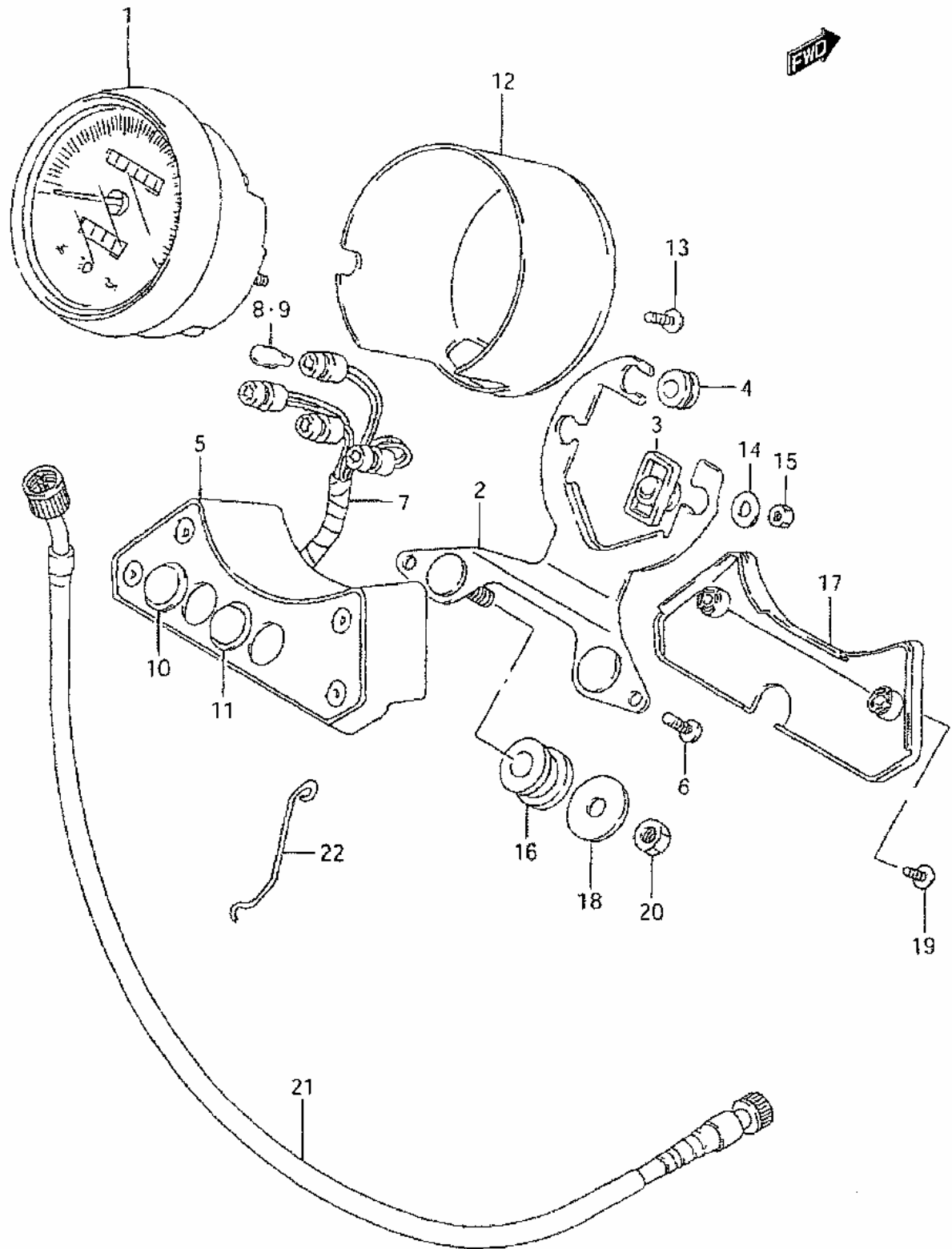
SEAT

- (1-1) **45100-48E01-H1N**
SEAT ASSY
- (1-2) **45100-48E50-M9Z**
SEAT ASSY
- (1-3) **45100-48E70-48H**
SEAT ASSY
- (2) **45149-31300**
>> CUSHION SEAT
- (3) **45119-48E00**
PLATE,FRONT SEA
- (4) **45220-48E01**
BRACKET SEAT SU
- (5) **02122-06253**
SCREW
- (6-1) **45300-48E10-H1N**
SEAT ASSY,PILLI
- (6-2) **45300-48E50-M9Z**
SEAT ASSY, PILL
- (6-3) **45300-48E70-48H**
SEAT ASSY,PILLI
- (7-1) **45180-48E10-P21**
>> BAND ASSY,SEAT
- (7-2) **45180-48E50-P21**
>> BAND ASSY,SEAT
- (8) **09169-06071**
>> WASHER
- (9) **09160-06084**
>> WASHER 6.5X18X1
- (10) **08316-20063**
>> NUT
- (11) **45116-48E00**
>> PLATE,PILLION S
- (12) **09169-06071**
>> WASHER
- (13) **08316-20063**
>> NUT
- (14) **01550-06123**
BOLT
- (15) **09106-08140**
BOLT
- (16) **95700-12852**
LOCK SET SEAT
- (17) **09139-06092**
SCREW



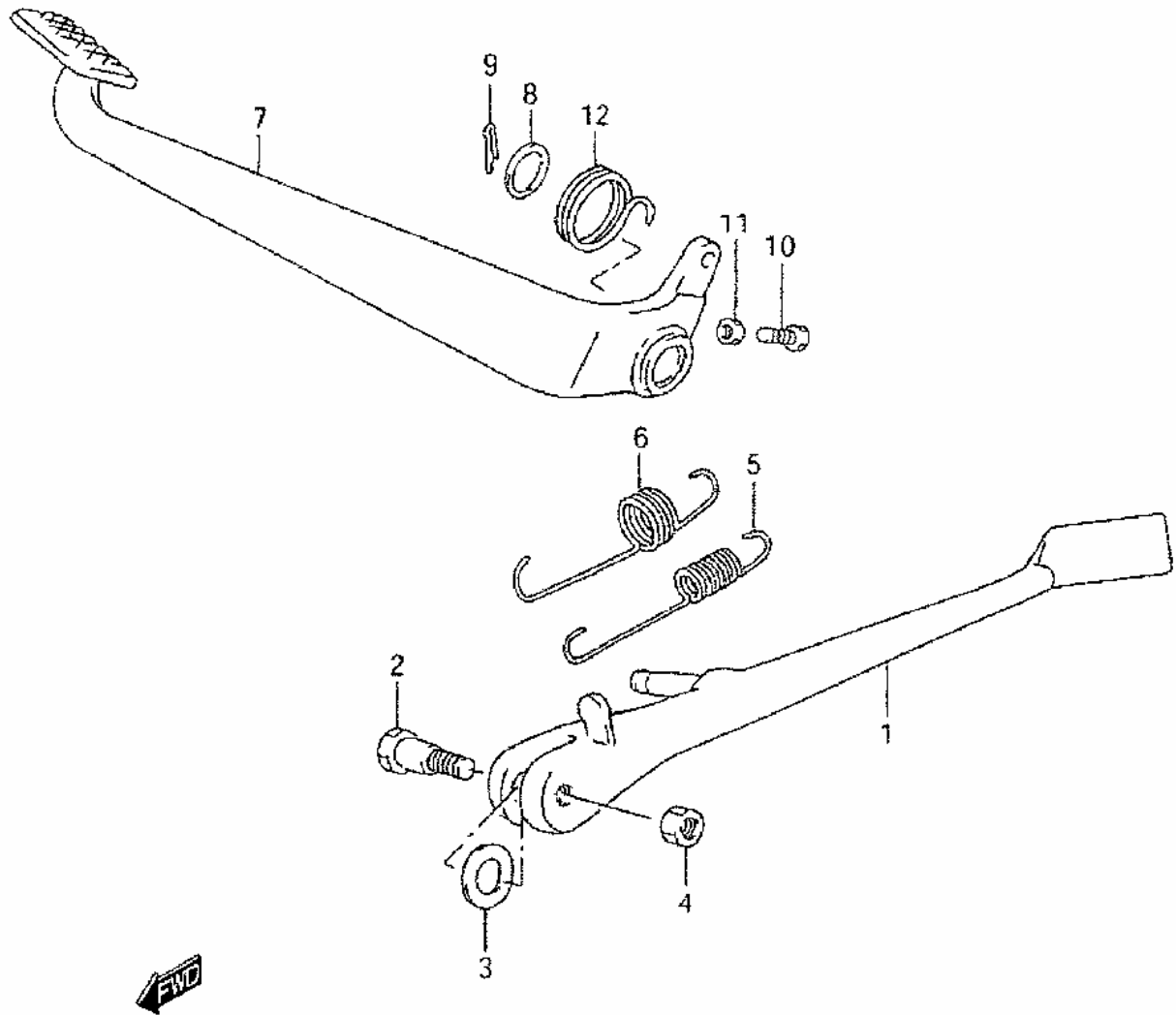
SPEEDOMETER

- (1-1) **34110-48E20**
SPEEDOMETER
- (1-2) **34110-48E80**
SPEEDOMETER
- (1-2) **34110-48E10**
UNAVAILABLE
- (1-4) **34110-48E70**
UNAVAILABLE
- (2) **34950-48E00**
BRACKET
- (3) **34191-25D00**
>> CUSHION,DAMPER
- (4) **34191-26D10**
>> DAMPER
- (5) **34960-48E00**
CASE ASSY,PILOT
- (6) **34184-12B00**
SCREW
- (7) **34170-48E00**
CORD ASSY
- (8) **09471-12108**
BULB 12V1.7W
- (9) **09471-12028**
BULB SPEEDOMETE
- (10-1) **36321-25D00**
LENS,NEUTRAL(GR
- (10-2) **36321-48E00**
Discontinued
- (11-1) **36341-25D00**
LENS,TURN(ORANG
- (11-2) **36341-48E00**
LENS, TURN
- (11-3) **36321-25D00**
LENS,NEUTRAL(GR
- (11-4) **36341-48E00**
LENS, TURN
- (12) **34111-25D00**
COVER,UNDER
- (13) **03541-14123**
SCREW
- (14) **09160-05013**
SPEEDO SUPPORT
- (15) **08310-00057**
NUT
- (16) **34956-31001**
CUSHION METER
- (17) **36383-48E00**
COVER,P-BOX
- (18-1) **09160-08002**
Discontinued
- (18-2) **09160-08136**
WASHER
- (19) **02112-74103**
SCREW 4X10
- (20) **08310-00083**
NUT
- (21) **34910-48E01**
CABLE ASSY,SPEE
- (22) **34938-48E10**
GUIDE,SPEEDOMET



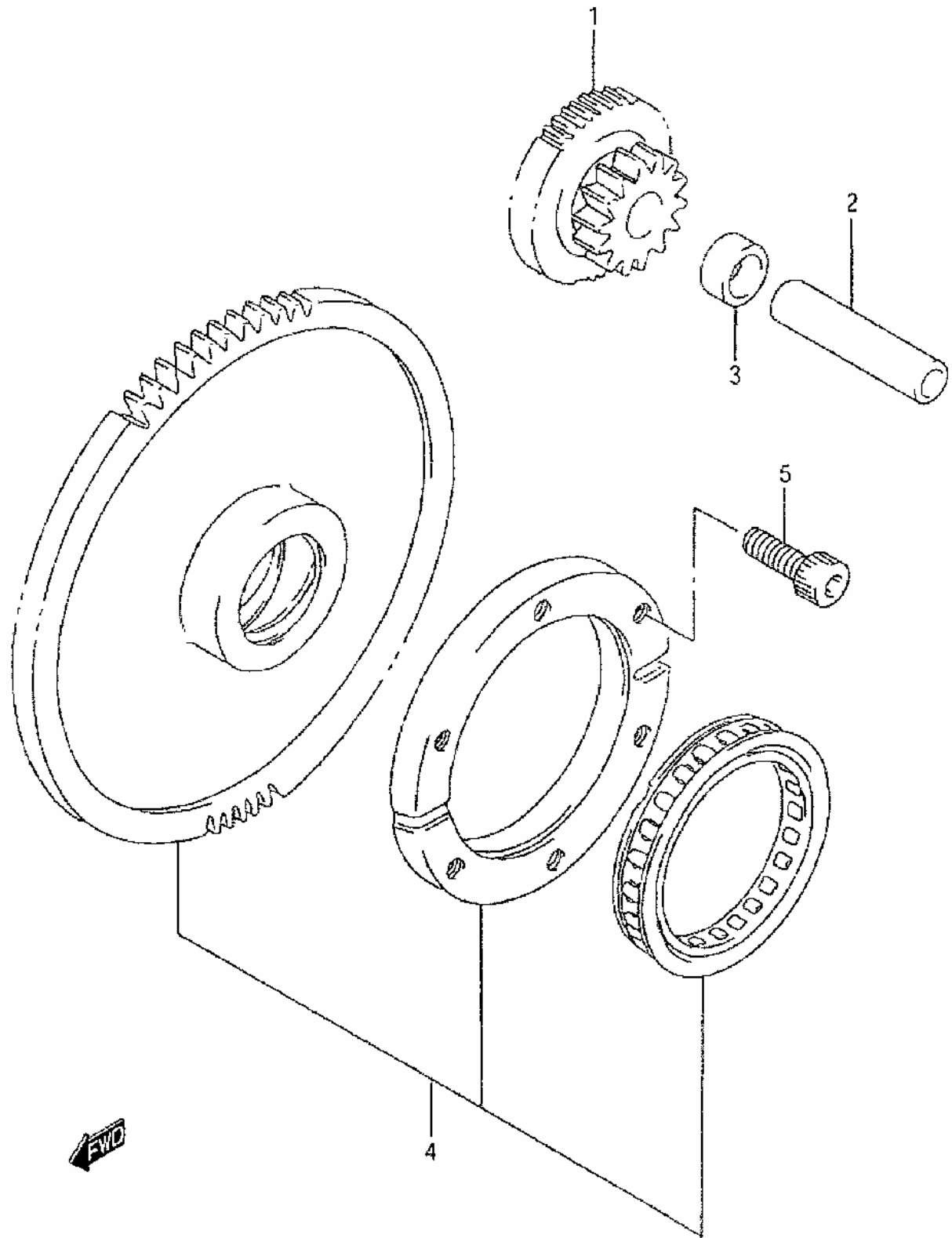
STAND

- (1-1) **42310-48E10**
Discontinued
- (1-2) **42310-48E11**
STAND,PROP
- (1-3) **42310-48E20**
STAND,PROP
- (2) **09111-10027**
BOLT
- (3) **08221-12224**
SHIM
- (4-1) **09159-10027**
NUT FINAL GEAR
- (4-2) **08319-21103**
NUT
- (5) **09443-14066**
SPRING
- (6) **09443-19012**
SPRING
- (7-1) **43110-48E00**
PEDAL COMP,BRAK
- (7-2) **43110-48E10**
PEDAL COMP,BRAK
- (8-1) **09160-16028**
WASHER,16.2X22X
- (8-2) **09160-16043**
Discontinued
- (9) **04111-30308**
30 X 30 COTTER
- (10) **01500-06207**
BOLT
- (11) **08310-00067**
NUT
- (12) **09448-31034**
SPRING



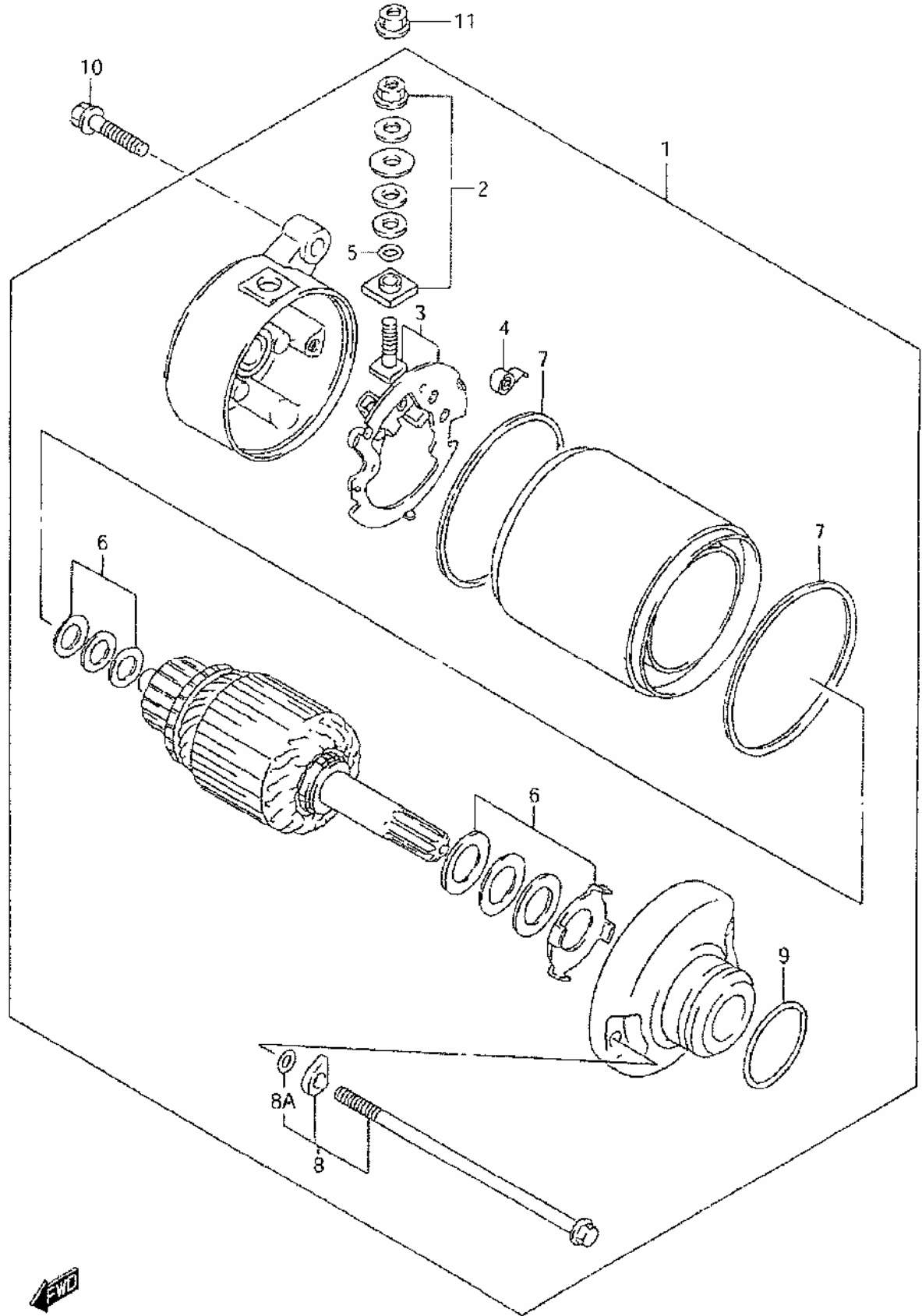
STARTER CLUTCH

- (1-1) **12611-48E00**
GEAR, STARTER ID
- (1-2) **12611-48E01**
UNAVAILABLE
- (2) **09206-12003**
PIN (12X55.5)
- (3) **09180-12137**
SPACER, 12.5X19X
- (4) **12600-38831**
CLUTCH SET, STAR
- (5) **07130-08163**
BOLT



STARTING MOTOR

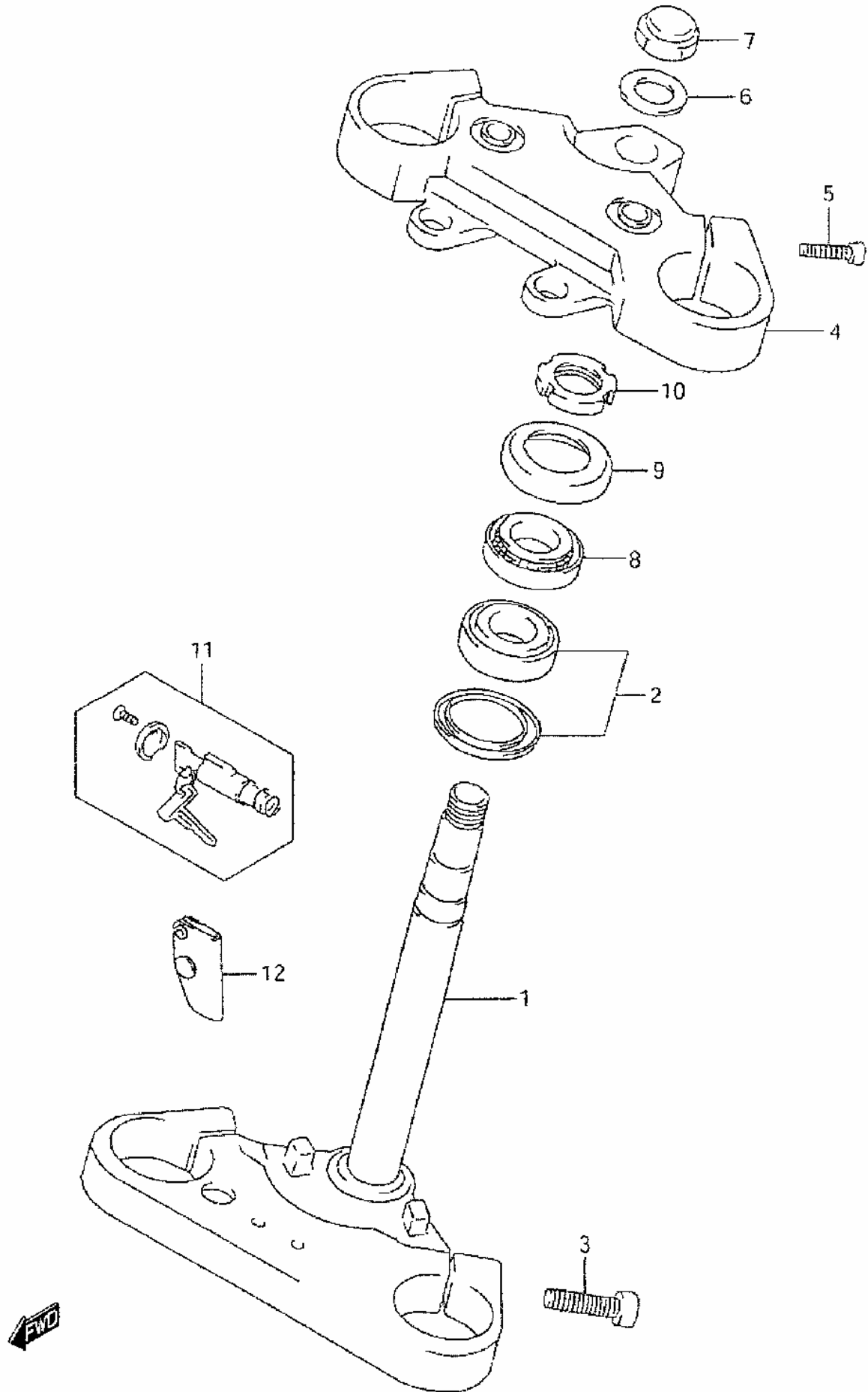
- (1) **31100-48E00**
MOTOR ASSY,STAR
- (2) **31130-19B10**
>> TERMINAL SET,BR
- (3) **31132-19B10**
>> HOLDER SET,BRUS
- (4) **31135-31300**
>> SPRING BRUSH
- (5) **31143-49040**
>> O-RING
- (6) **31170-19B10**
>> SHIM SET,STARTI
- (7) **31264-31300**
>> O RING
- (8) **31280-19B10**
>> BOLT SET,STARTI
- (8A) **31143-49040**
>>> O-RING
- (9) **09280-24003**
>> O RING
- (10) **01547-06257**
BOLT 6X25
- (11) **08361-35068**
NUT



← FWD

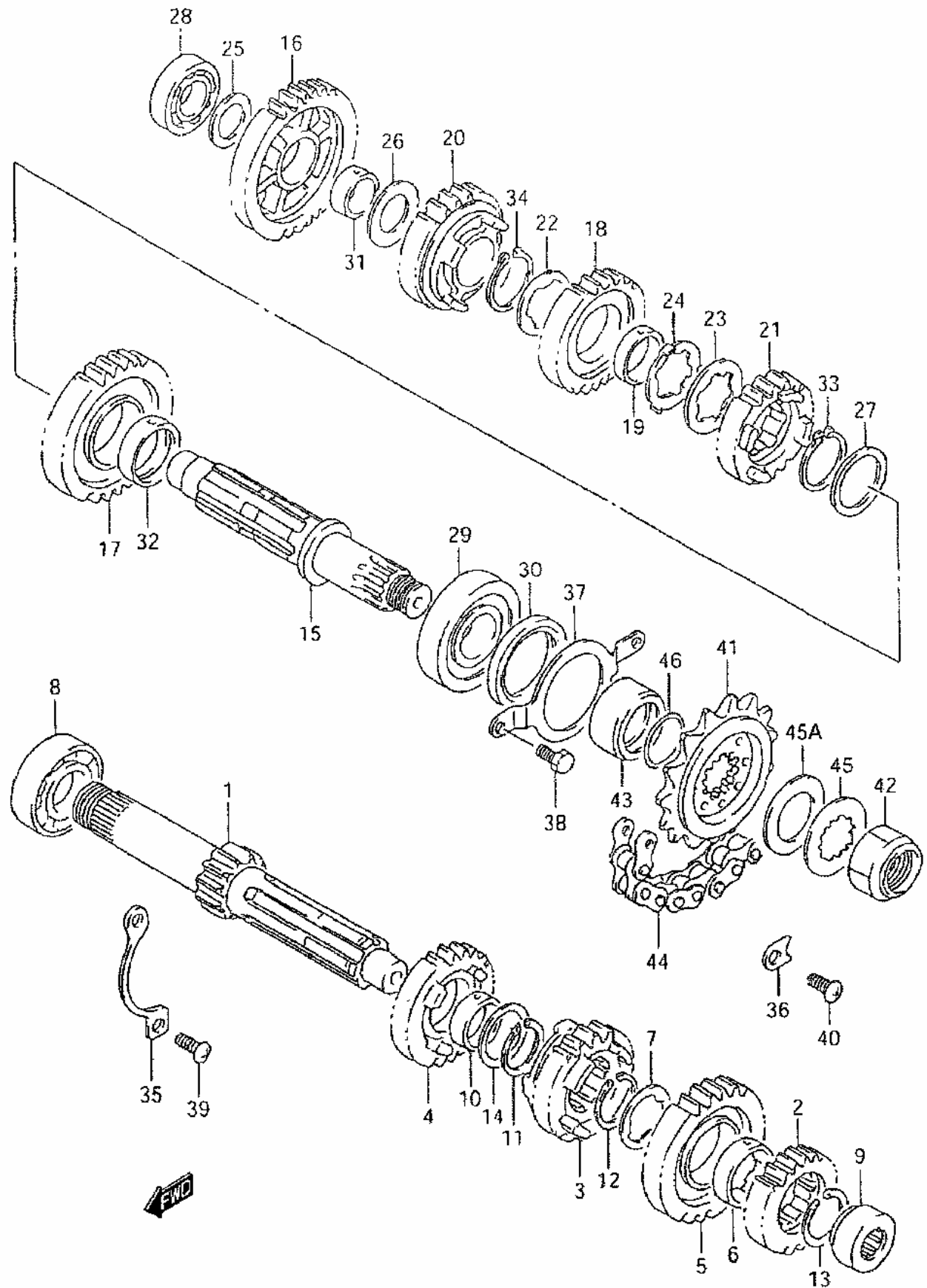
STEERING STERN

- (1) **51410-48E00**
STEM,STEERING
- (2) **09265-30009**
>> RT 30X55X17 BEA
- (3) **51451-48E10**
BOLT,STEM
- (4) **51311-48E00**
HEAD,STEERING S
- (5) **51147-48E10**
BOLT,STEM HEAD
- (6) **51356-10D03**
WASHER
- (7) **51353-24B00**
NUT,CAP
- (8) **09265-25019**
RT 25X47X15 BRG
- (9) **51643-49002**
SEAL,STEERING U
- (10) **51631-28000**
STEERING STEM N
- (11) **51900-38810**
LOCK SET STEERI
- (12) **51920-48E00**
CASE,STEERING K



TRANSMISSION

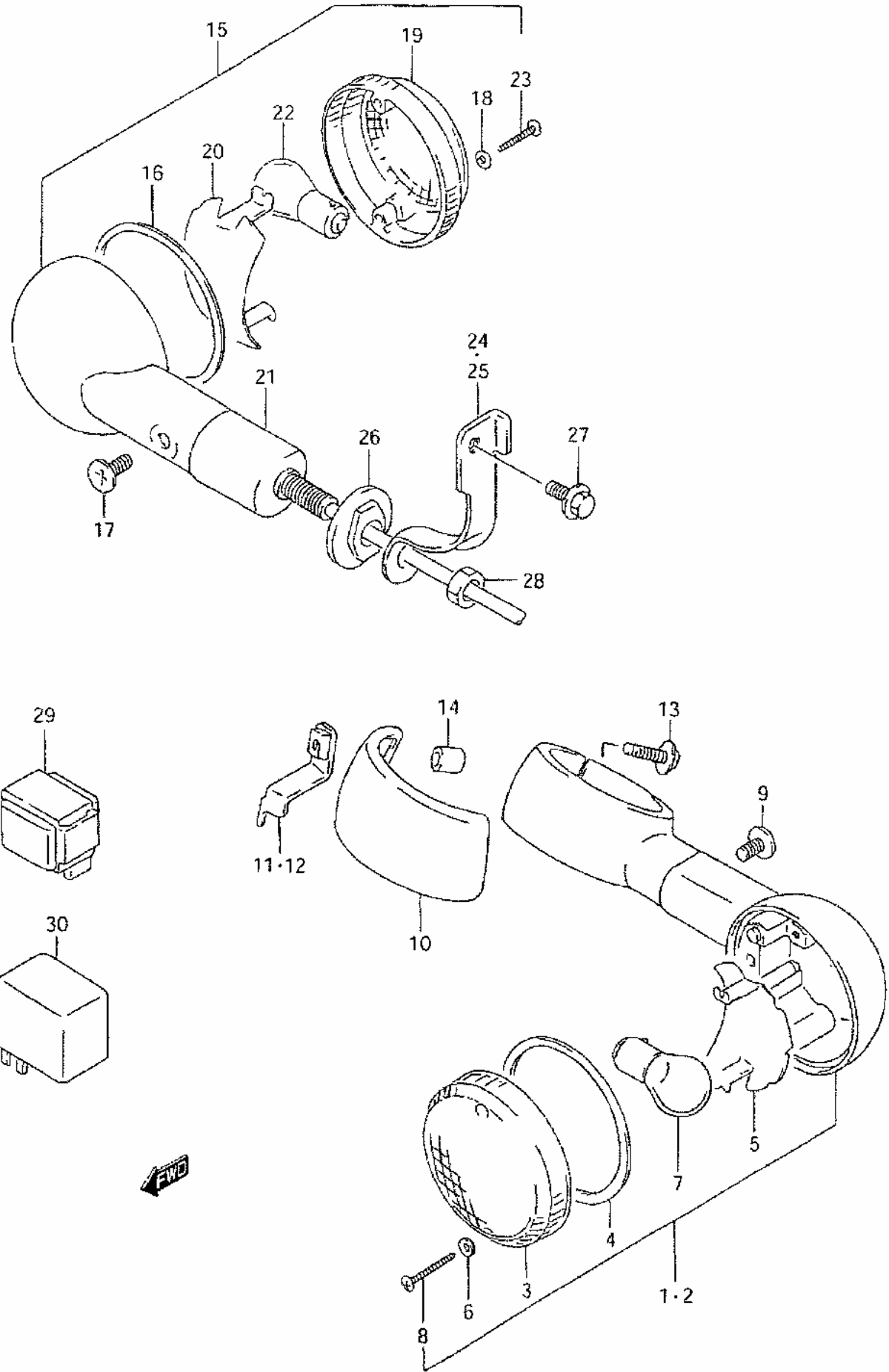
- (1) **24121-48E51**
SHAFT,CNTR
- (2) **24221-44B20**
GEAR,2ND DRIVE,
- (3-1) **24231-44B01**
GEAR,3RD DRIVE,
- (3-2) **24231-44B02**
GEAR,3RD DRIVE
- (4) **24241-44B01**
GEAR,4TH DRIVE,
- (5) **24251-44B10**
GEAR,5TH DRIVE
- (6-1) **24252-38A00**
Discontinued
- (6-2) **24252-38A10**
BUSH,6TH DRIVE
- (7) **09167-25021**
WASHER
- (8) **09262-25080**
B1 25X62X17 BEA
- (9) **09263-20084**
RC 20X33X16 BEA
- (10-1) **09300-25023**
BUSH
- (10-2) **24252-19F00**
BUSH,5TH DRIVE
- (11) **09380-25003**
3RD PINION CIRC
- (12) **09380-25003**
3RD PINION CIRC
- (13) **09380-25013**
CIRCLIP
- (14) **08211-25351**
WASHER THRUST
- (15-1) **24130-48E01**
SHAFT,DRIVE
- (15-2) **24130-48E02**
SHAFT,DRIVE
- (16) **24311-44B10**
GEAR,1ST DRIVEN
- (17) **24321-44B20**
GEAR,2ND DRIVEN
- (18-1) **24331-44B00**
GEAR,3RD DRIVEN
- (18-2) **24331-44B01**
GEAR,3RD DRIVEN
- (19) **24332-27A00**
BUSH,4TH DRIVEN
- (20-1) **24341-44B01**
*24341-44B02
- (20-2) **24341-44B02**
GEAR,4TH DRIVEN
- (21-1) **24351-44B01**
GEAR,5TH DRIVEN
- (21-2) **24351-44B10**
GEAR,5TH DRIVEN
- (22) **09167-28001**
FOURTH DR GR WA
- (23) **09167-28002**
LOCK WASHER
- (24) **09169-28001**
LOCK WASHER
- (25) **09181-20223**
WASHER
- (26) **09181-22223**
WASHER
- (27) **09181-28167**
WASHER
- (28) **09262-20059**
B1 20X42X12 BEA
- (29) **09262-25083**



	Discontinued
(30)	09283-36003 OIL SEAL 36X50X
(31-1)	09300-22005 Discontinued
(31-2)	24312-02F00 BUSH
(32)	09300-28002 BUSH
(33)	08331-31286 CIRCLIP
(34)	08331-31286 CIRCLIP
(35)	24741-38A00 RETAINER, CNTR
(36)	24742-44B00 RETAINER,CNTR S
(37)	24751-48E00 RETAINER,DRIVE
(38)	01500-06103 BOLT 6X10103
(39)	02112-06123 SCREW 6X12
(40)	02122-06123 SCREW
(41)	27510-17C10 SPROCKET,ENGINE
(42)	27521-48E00 NUT,ENGINE SPRO
(43)	27531-24B00 SPACER,FRONT PU
(44)	27600-19C00-116 CHAIN ASSY,DID5
(45)	09167-25019 WASHER,LOCK
(45A)	09160-25070 WASHER,25.2X42X
(46)	09280-24010 O-RING

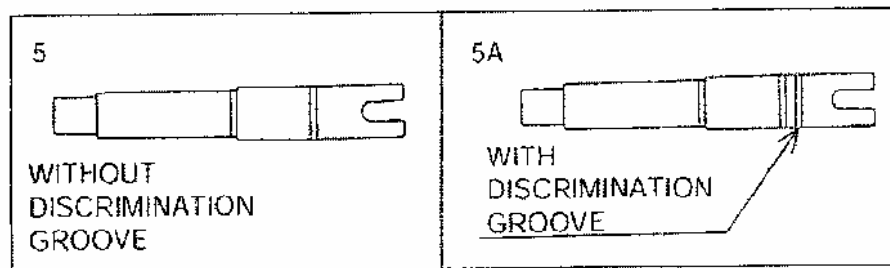
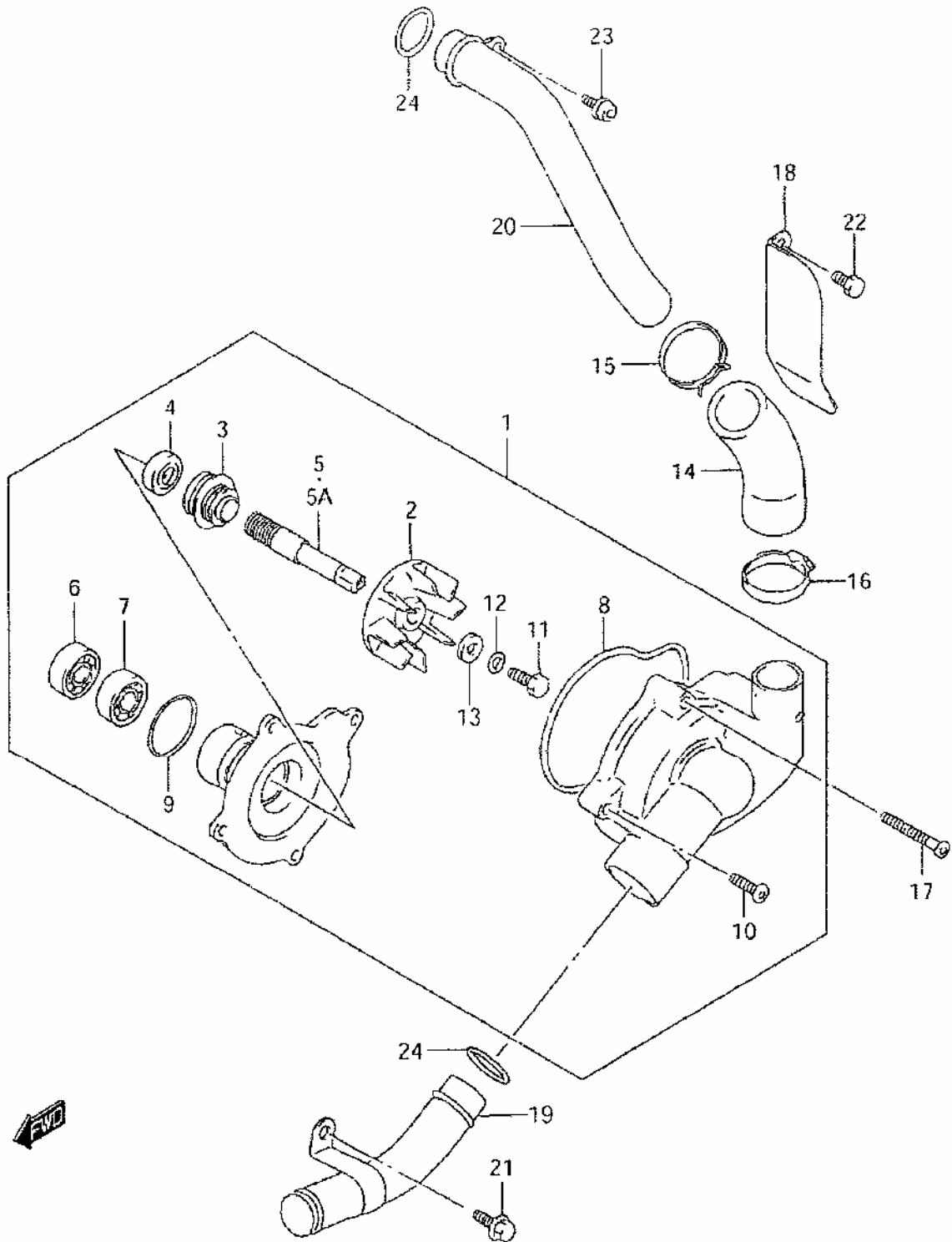
TURN SIGNAL LAMP

- (1) **35601-48E00**
LAMP ASSY,FRONT
- (2) **35602-48E00**
LAMP ASSY,FRONT
- (3) **35612-38A30**
>> LENS
- (4) **35613-38A00**
>> GASKET
- (5) **35624-38A20**
>> REFLECTOR
- (6) **35627-43010**
>> LENS SCREW GASK
- (7) **09471-12083**
>> Discontinued
- (8) **03211-04253**
>> SCREW
- (9) **35623-38A01**
>> SCREW
- (10) **35645-48E00**
COVER,FRONT TUR
- (11) **35671-48E10**
BRACKET,FRONT T
- (12) **35681-48E10**
BRACKET,FRONT T
- (13) **09136-06126**
SCREW
- (14) **09180-06121**
SPACER 6.4X9.2X
- (15) **35603-33D30**
LAMP ASSY,REAR
- (16) **35613-38A00**
>> GASKET
- (17) **35623-38A01**
>> SCREW
- (18) **35627-43010**
>> LENS SCREW GASK
- (19) **35652-38A21**
>> LENS
- (20) **35654-38A20**
>> REFLECTOR
- (21) **35659-45C10**
>> STAY,TURN SIGNA
- (22) **09471-12045**
>> BULB 12V,21W
- (23) **03211-04253**
>> SCREW
- (24) **35608-48E01**
REINF,REAR TURN
- (25) **35609-48E01**
REINF,REAR TURN
- (26) **35695-17C00**
SPACER,REAR TUR
- (27) **01550-06123**
BOLT
- (28) **08310-00103**
NUT
- (29) **38610-26E00**
RELAY ASSY,TURN
- (30) **38610-03F00**
TURNSIG/FUELPMP



WATER PUMP

- (1) **17400-48E00**
PUMP ASSY,WATER
- (2-1) **17491-17E00**
>> Discontinued
- (2-2) **17491-17E01**
>> IMPELLER
- (3-1) **17470-46A00**
>> Discontinued
- (3-2) **17470-46A01**
>> Discontinued
- (3-3) **17470-02F00**
>> SEAL,WATER PUMP
- (4) **09283-10004**
>> OIL SEAL WATER
- (5) **17511-48E00**
>> SHAFT
- (5A) **17511-48E01**
>> SHAFT,WATER PUM
- (6) **09262-10014**
>> B1 10X26X8 BEAR
- (7) **09262-12001**
>> B1 12X28X8 BEAR
- (8) **17418-33400**
>> O RING,WATER PU
- (9) **17435-33400**
>> O RING,WATER PU
- (10) **02112-06163**
>> SCREW 6X16
- (11) **09100-06099**
>> BOLT
- (12) **09164-06006**
>> ENG OIL CASE WA
- (13) **09168-06025**
>> WASHER
- (14) **17859-48E00**
HOSE,WATER PUMP
- (15) **09401-26404**
CLAMP
- (16) **09402-32511**
CLAMP
- (17) **01547-06353**
BOLT
- (18) **17871-48E00**
PLATE,WATER HOS
- (19) **17880-48E00**
PIPE COMP,WATER
- (20) **17890-48E00**
PIPE COMP,WATER
- (21) **01550-06123**
BOLT
- (22) **01550-06103**
BOLT
- (23) **07120-06127**
SCREW
- (24) **09280-21015**
O RING,D:2.7,ID



WIRING HARNESS

- (1-1) **36610-48E11**
HARNESS,WRG
- (1-2) **36610-48E20**
Discontinued
- (1-3) **36610-48E22**
HARNESS,WIRING
- (1A) **09481-10101**
>> FUSE 10A
- (1B) **09481-15101**
>> FUSE 15A
- (1C) **09481-10501**
>> FUSE
- (1D) **09481-15501**
>> FUSE
- (1E) **36611-38A00**
>> DIODE
- (1F) **32800-16A00**
>> RECTIFIER ASSY
- (2-1) **09404-06432**
CLAMP
- (2-2) **09404-06431**
Discontinued
- (2-3) **09404-08205**
UNAVAILABLE
- (3-1) **09407-11401**
DISCONTINUED
- (3-2) **09407-14403**
Discontinued
- (3-3) **09407-18402**
CLAMP,WIRING HA
- (3-4) **09407-25401**
CLAMP
- (4) **36853-30500**
WIRE, HEAD LAMP
- (5) **02142-06123**
SCREW M6X1X12
- (6-1) **37000-48830**
LOCK SET
- (6-2) **37000-48840**
LOCK SET
- (7) **37110-48E00**
>> Discontinued
- (8-1) **07130-06163**
BOLT
- (8-2) **09106-06078**
BOLT
- (9) **37740-31D00**
SWITCH ASSY,STO
- (10) **09443-06046**
SPRING
- (11) **37840-12X50**
SWITCH ASSY,SID
- (12) **01550-06163**
BOLT
- (13) **38500-02F00**
HORN ASSY
- (13A) **38500-48E00**
HORN ASSY
- (14) **01550-06123**
BOLT
- (15) **38740-24X50**
RELAY ASSY,FUEL
- (16) **37146-48E00**
KEY, BLANK
- (17) **36651-05301**
CLAMP,START MOT
- (18) **36651-48E00**
CLAMP
- (18A) **09407-03401**
CLAMP

